

REJUVENATION

Specifications
FROST FIRECLAY
DOUBLE SINK

2022.06.17

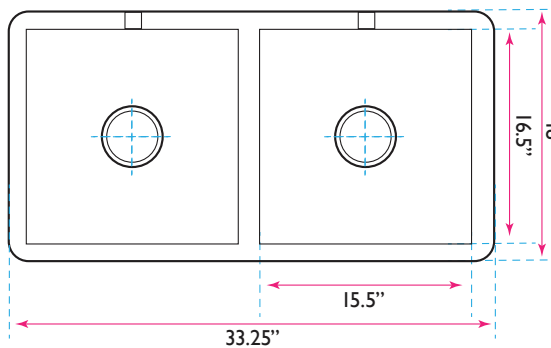
www.rejuvenation.com



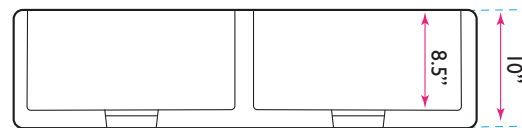
PRODUCT SPECIFICATIONS

- Custom cabinet base required - Heavy 2 person lift recommended
- Fireclay is hygienic with a glazed surface that inhibits bacterial growth better than stainless steel
- Includes bottom grid and drain
- Due to firing process, shrinking will occur. Nominal dimensions may vary by .25"
- Limited lifetime manufacturer's warranty
- Professional installation recommended
- Template not included

Top View



Front View



OVERALL DIMENSIONS	INTERIOR BOWL	APRON HEIGHT	INTERIOR BOWL DEPTH	DRAIN DIMENSIONS
33.25" x 18"	15.5" x 16.5"	10"	8.5"	3.5" Standard Opening