

## Rejuvenation Teak Vanity Care Guide

Our teak vanities are crafted with responsibly sourced teak, featuring a natural finish with no stain or sealer. Because we use the highest-quality, grade A teak, it produces its own natural oils that keep the wood in great condition. When exposed to the elements or direct sunlight, it will slowly age from an original golden honey color to a soft light gray.

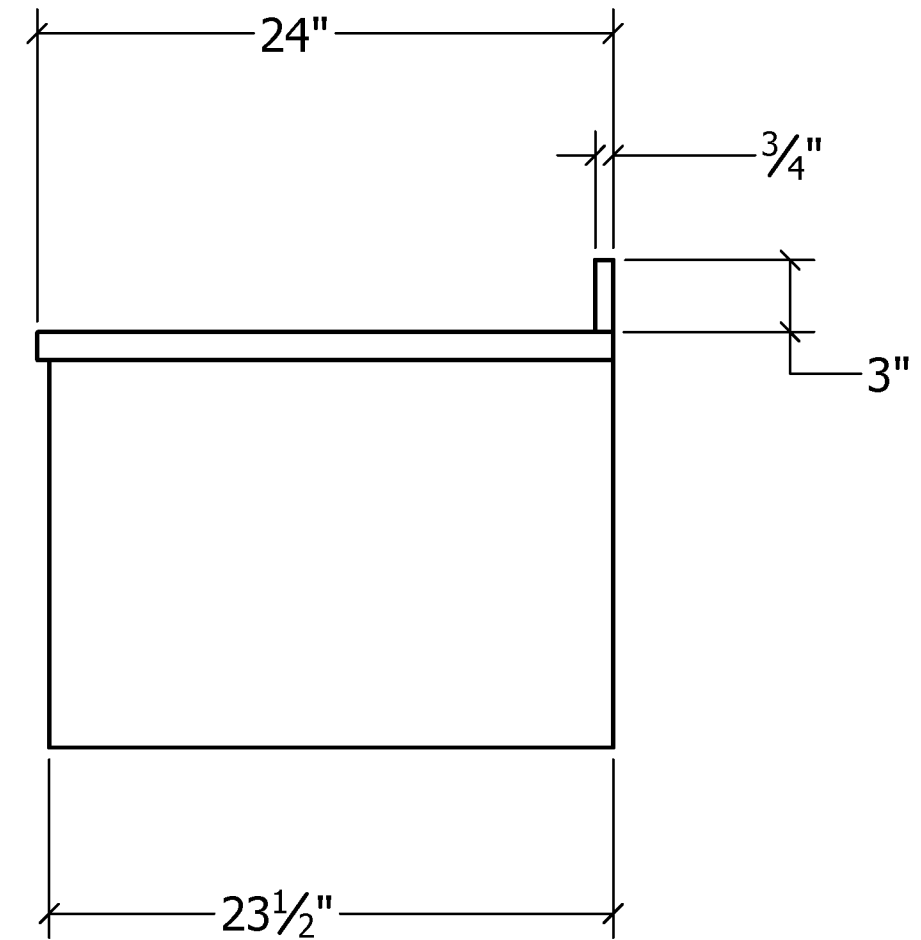
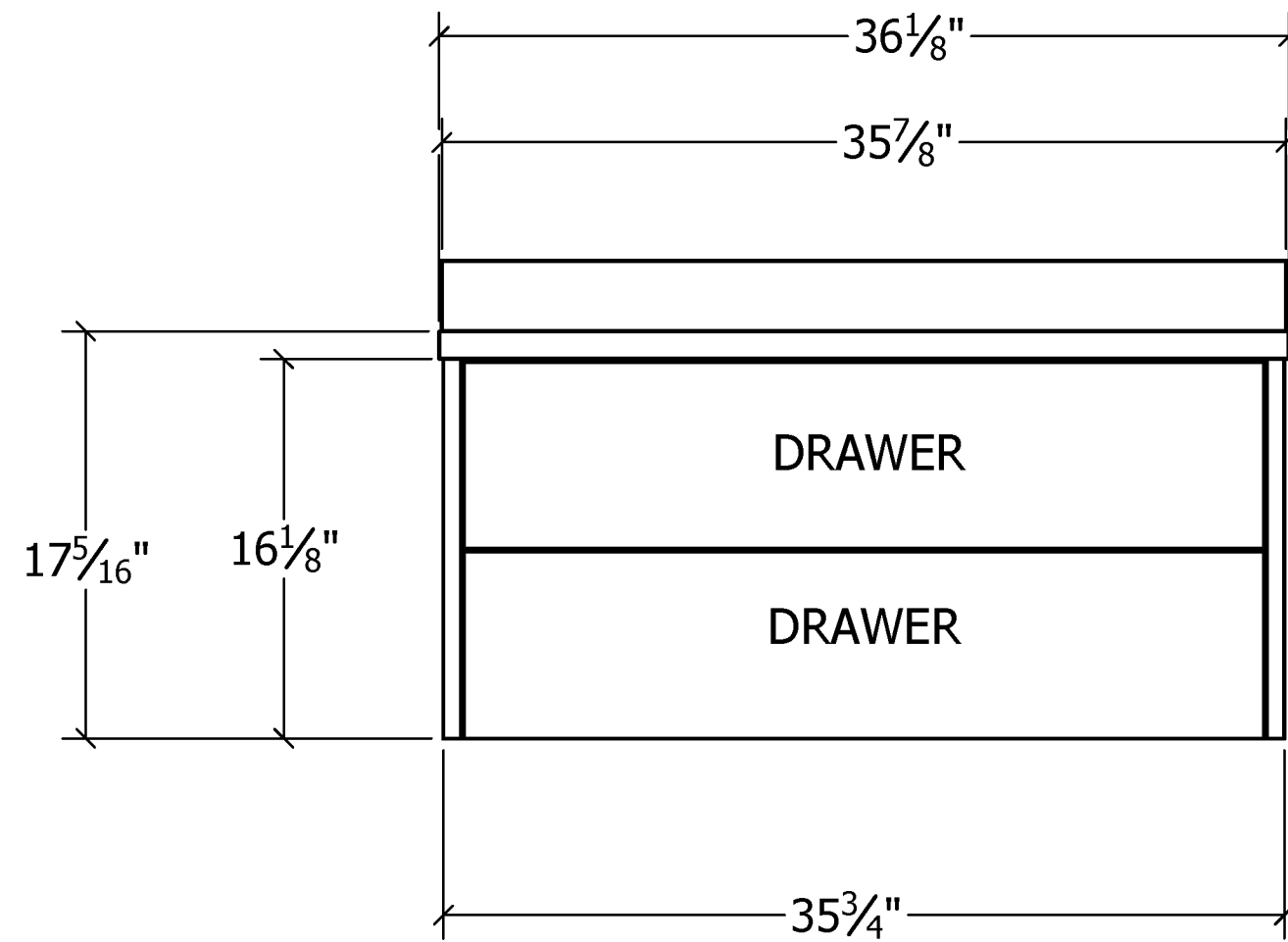
### **Cleaning & Maintenance**

Teak is resistant to water and rot, however mildew accumulation can occur depending on the average humidity of your bathroom. Clean your teak vanity as needed using a cleaner specifically crafted for teak wood. For a natural DIY solution, try mixing 1 cup of vinegar with 1 gallon of warm water.

1. Start by dampening the surface of the teak wood with clean water. Apply your cleaning solution with a soft cloth and let it soak into the wood for 10-15 minutes. Note: Do not use any scrubbing pads, metal brushes, or rough sponges that can scratch the wood's surface.
2. Next, lightly rinse the wood with clean water and a fresh cloth or sponge.
3. For tough stains, try using a plastic-bristled brush (not metal). A small amount of bleach or oxalic acid may be necessary for dark stains. If it doesn't come up with a cleaning mixture, lightly sand the stained area with a super fine grit sandpaper. Note: Sanding will remove any sealer or patina on the wood's surface.

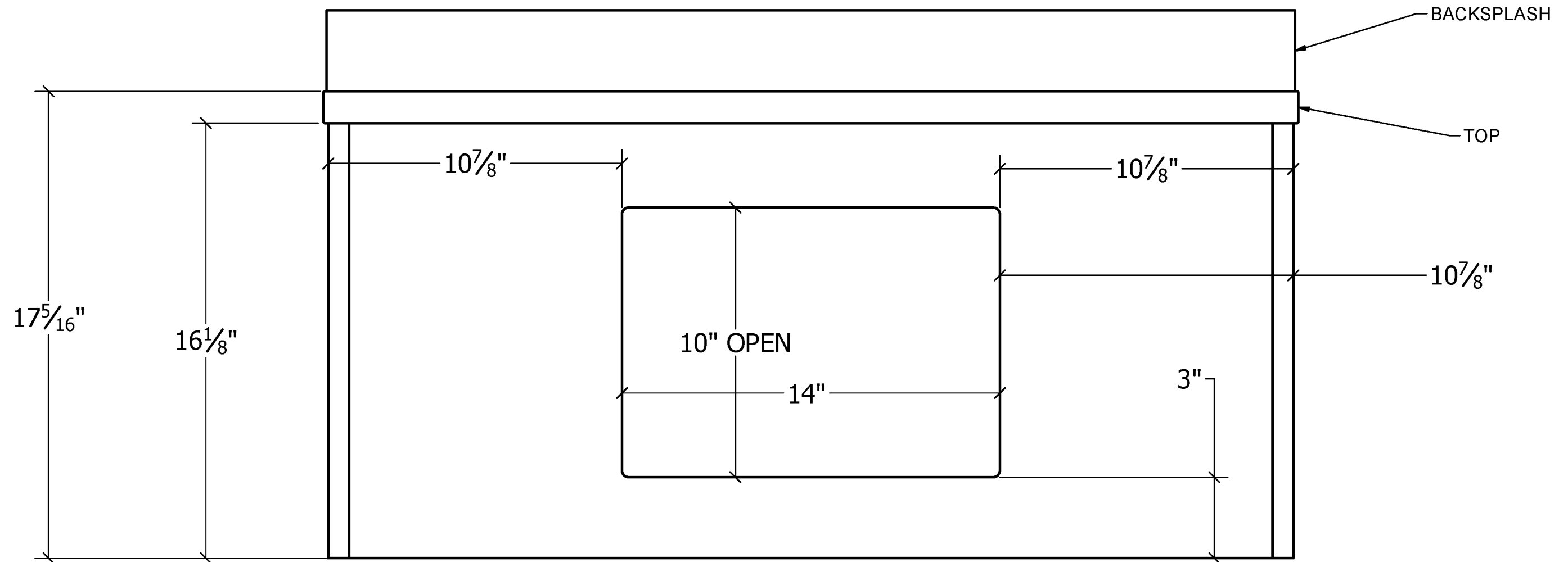
# REJUVENATION

## GENEVA 36in Vanity



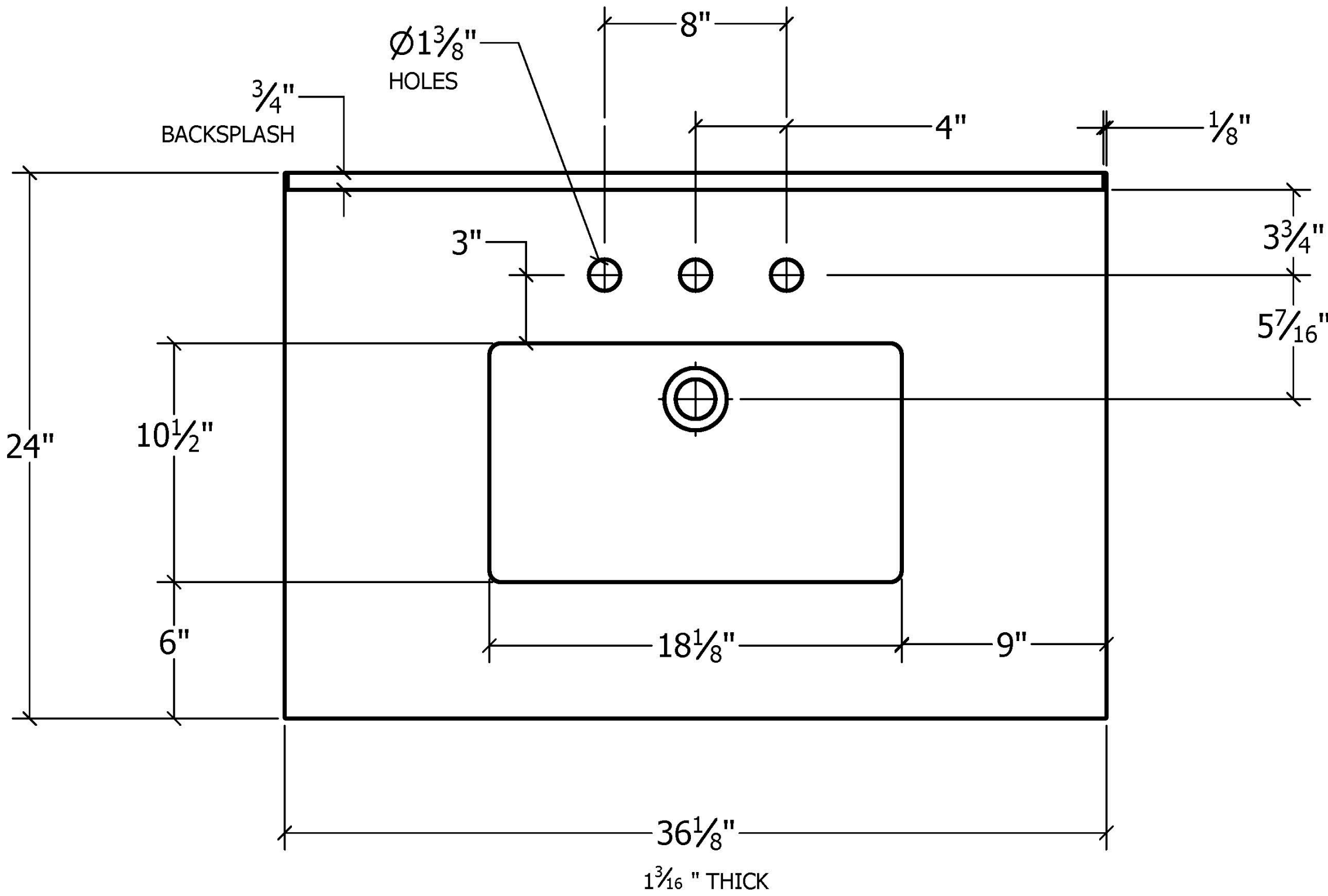
## BACK PLUMBING ACCESS CUTOUT

Back is  $\frac{3}{4}$ " thick plywood



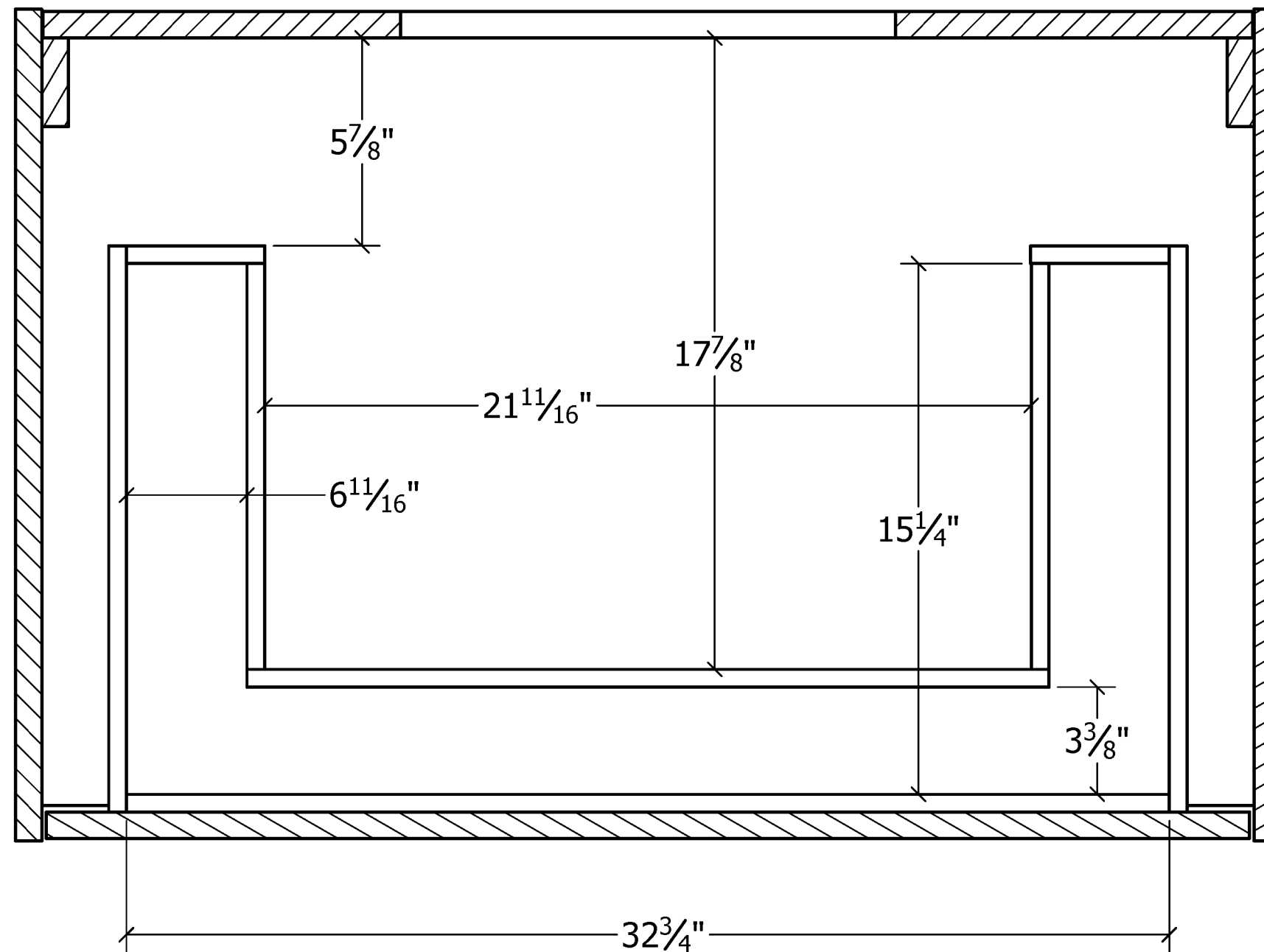
# REJUVENATION

## GENEVA 36in Vanity



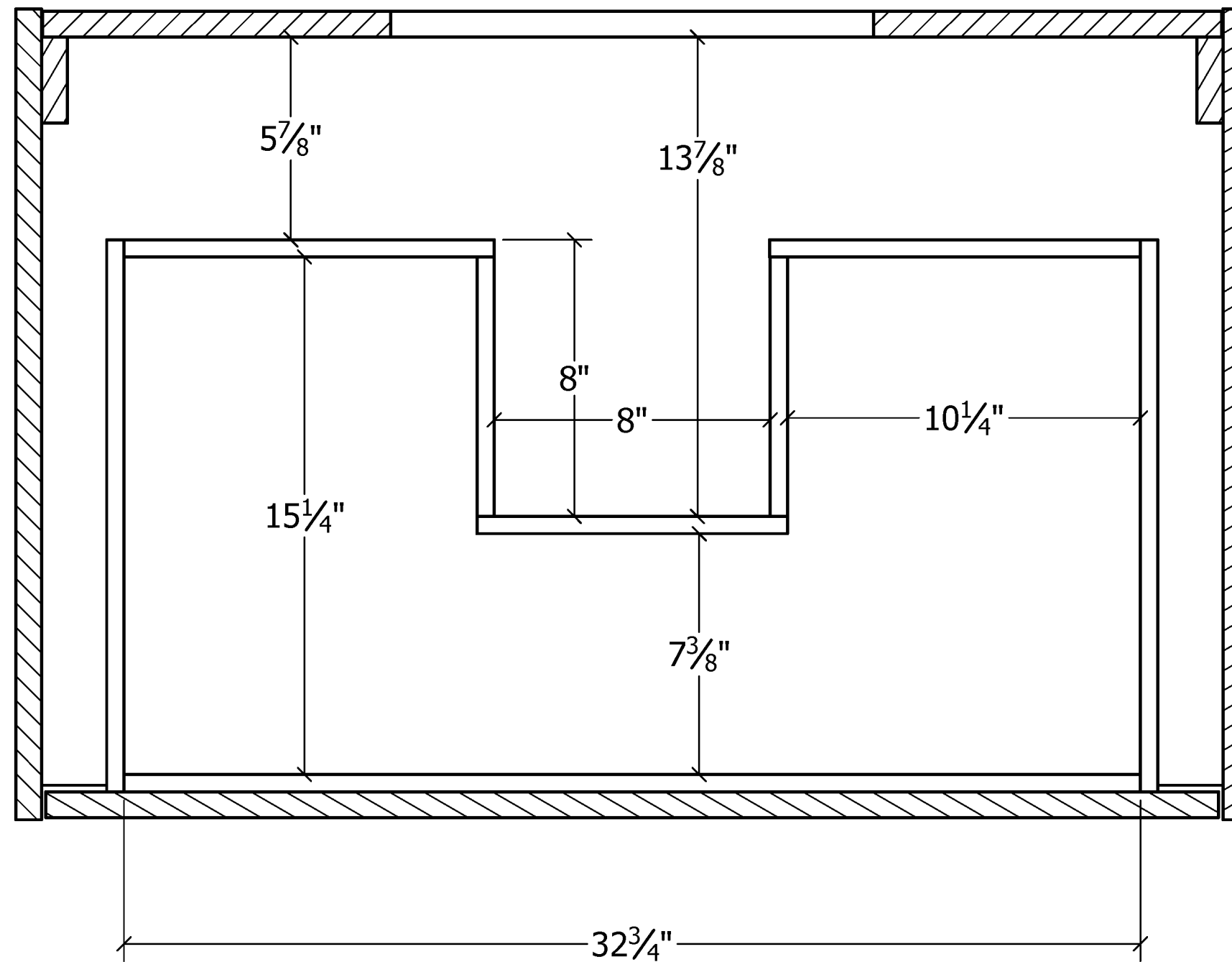
### SECTION VIEW LOOKING DOWN

Showing UPPER Drawer Dimensions



## SECTION VIEW LOOKING DOWN

Showing LOWER Drawer Dimensions



## SECTION VIEW LOOKING FROM SIDE

