

Pottery Barn – Pottery Barn Teen – Pottery Barn Kids – Williams Sonoma Home – West Elm – Rejuvenation – Mark and Graham

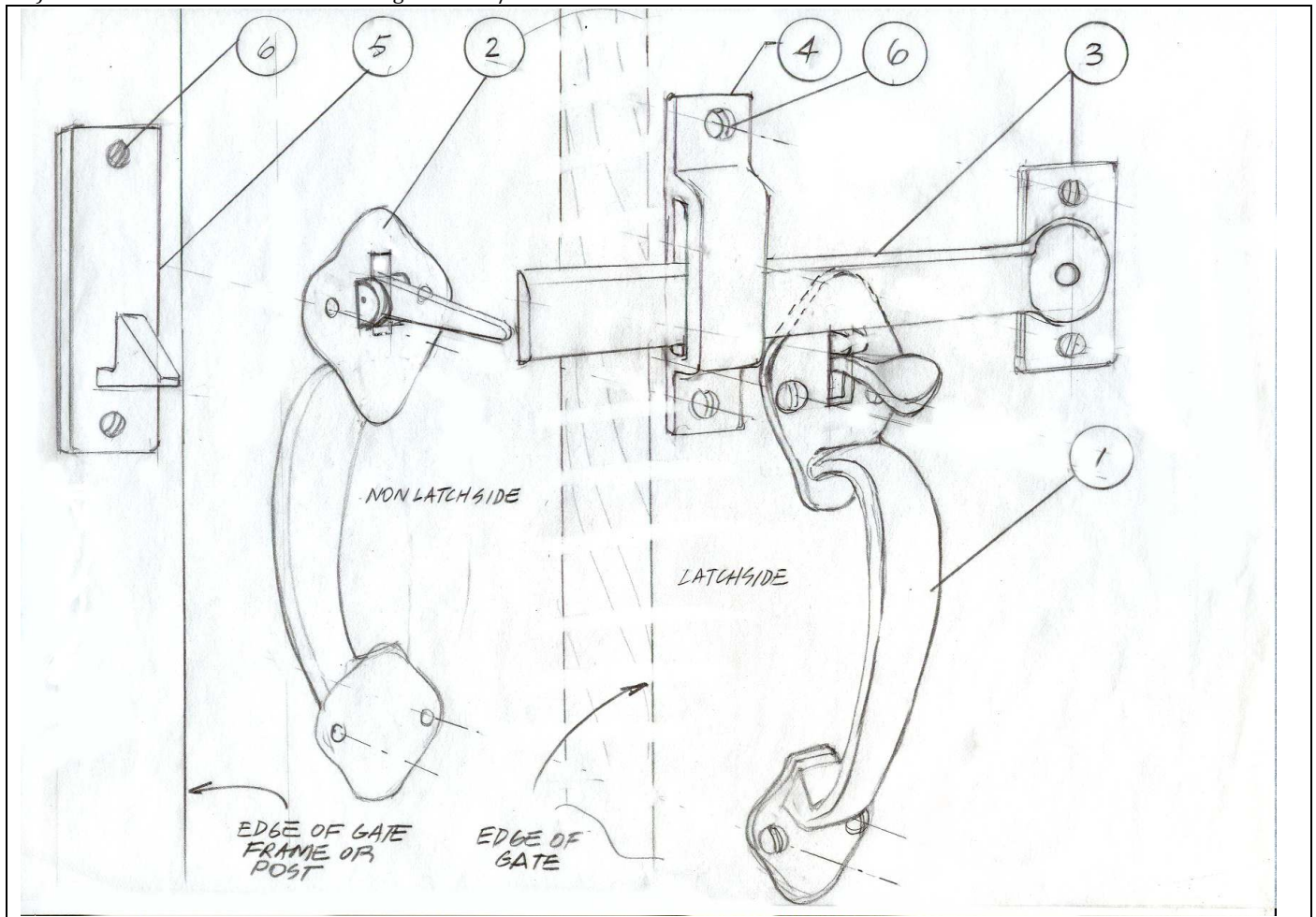
Item	Used On Gate Width:	
C103974	1 ½ - 2" Note: You may need to cut off ¼" from the end of the small tail piece to work in thin gates.	1/2
C103975	2 - 2 ½"	
C103976	2 ½" - 3"	
	3 - 3 ½"	

Work required:

A hole and slot arrangement is required in gate to mount this hardware to a gate or door. Double Thump Latch can mount at either on right or left side of gate.

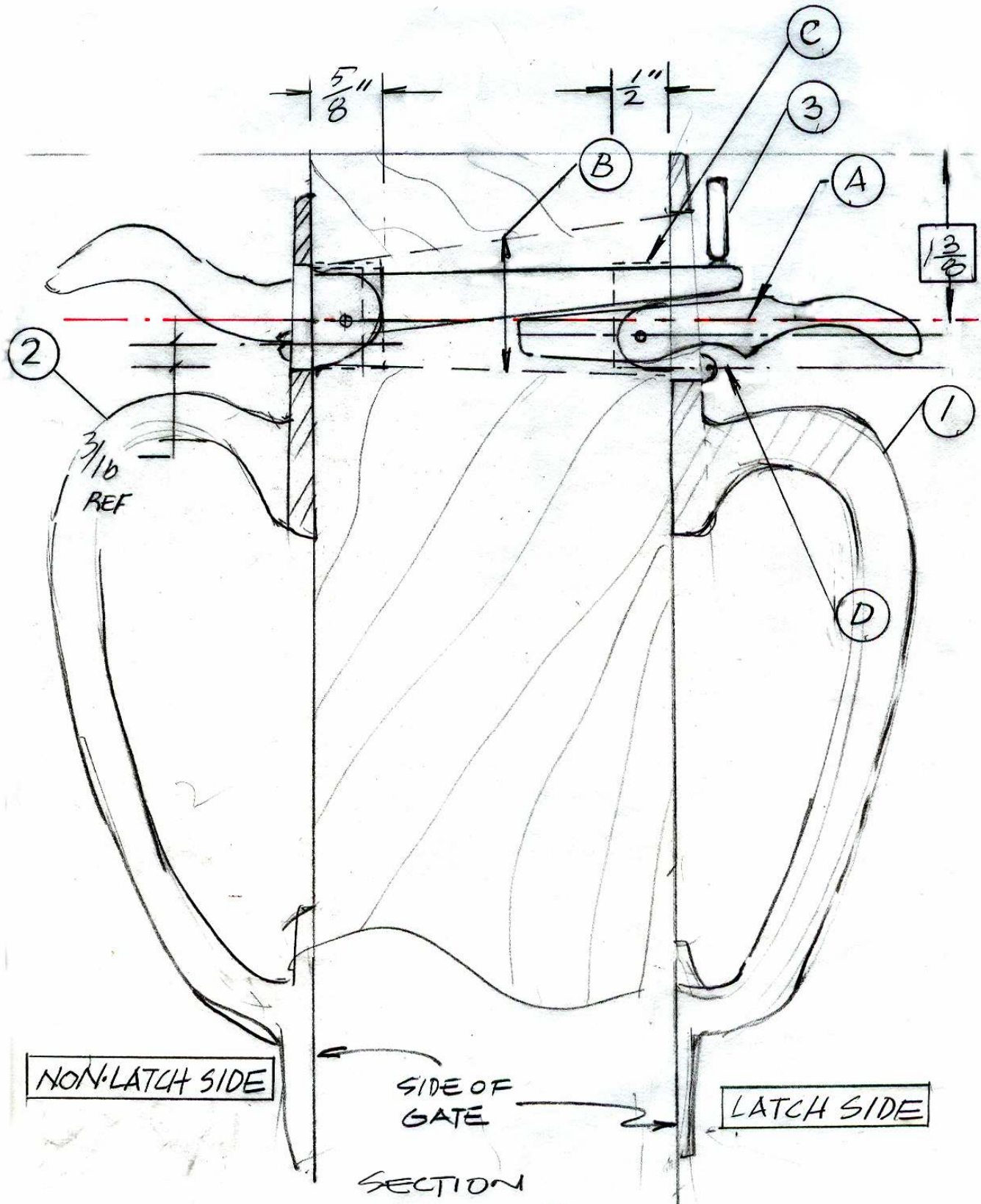
Parts

- 1) THUMB HANDLE (with SHORT tail)
- 2) THUMB HANDLE (with LONG tail)
- 3) DROP BAR
- 4) KEEPER for Drop bar
- 5) CATCH PLATE for Drop bar
- 6) SCREWS--12 round head mounting screws w/ stainless washers



Tools required for mounting:

- 1) Electric drill
- 2) 1/16" diameter wood bit
- 3) 7/8" diameter wood spade bit
- 4) 5/16" diameter spade bit
- 5) Small wood chisel
- 6) Screw driver with blade end or ratchet type
- 7) Pencil
- 8) TEMPLATES -2, for holes and slot on each side of gate



Gate should be hung on its hinges before installing latch hardware [but it may be easier to drill holes if it is removed and done on a work bench]. There should be between a 1/4" and 1/8" vertical clearance gap between the gate and its post or frame. The top of the handle should be set approximately 40" to 60" from the ground depending on personal preference. Determine the side of the gate that swings toward you as you open the gate. This will be the "LATCH SIDE"

1) ON LATCH SIDE-

LOCATE THE HANDLE POSITION—Draw pencil mark where the top of the handle should be on the gate; Draw a vertical center line for the handle on the gate, 2 3/8" from EDGE OF GATE.

Tape the **LATCH-SIDE TEMPLATE** in position.

- A) 1-3/8" below top of handle LINE, at CENTERLINE, Mark and DRILL 1/16" PILOT HOLE straight through the door,
- B) Mark the slot boundary on the gate from the TEMPLATE
- C) DRILL 7/8" DIA **3/8" DEEP** at the pilot hold location
- D) HOG OUT the slot with 5/16" spade bit ; [Drill 5/16" holes at the top and bottom edge of the vertical slot first, angled as needed—[see **SECTION DWG**]
- E) CHECK FIT OF HANDLE –Now hold THUMB HANDLE 1 against the gate in position and check that tail moves up freely. Now mark the mounting screw locations.
- F) DRILL 1/8" SCREW PILOT HOLES (4)
- G) MOUNT THE HANDLE temporarily with 2 screws.

2) ON NON-LATCH SIDE-

- H) TAPE **NON-LATCH-SIDE TEMPLATE** in position at the pilot hole (A)
- I) At the pilot hole , DRILL 7/8" LEAVE OUT, 1/2" **DEEP**
- J) SQUARE OFF the leave-out hole with a router, spade bit or small sharp chisel.
- K) POSITION THUMB HANDLE 2 flat against the gate and check function: [the long tail must rest above the short tail and protrude at least 1/4" past the gate surface in order to lift the DROP BAR] [see **SECTION DWG**]
- L) CHECK FIT and that the THUMB LATCHES move freely up and down with in the cut slot
- M) Complete mounting both HANDLES 1 AND 2 with 4 SCREWS each.

3) MOUNT THE DROP BAR

- N) Bottom edge of the DROP BAR will rest horizontally on the protruding end of the TAIL. This is the rest position.
- O) The end of the DROP BAR should protrude 1 to 1-1/2" past the edge of the gate.

4) **MOUNT THE KEEPER PLATE** with two SCREWS and WASHERS on the outside edge of the gate with the DROP BAR protruding though the KEEPER. Make sure that the KEEPER is on the edge on the gate.

5) **MOUNT THE CATCH PLATE** on the vertical post or frame at the rest position of the DROP BAR with 2 remaining SCREWS AND WASHERS. Make sure that there is no more than 3/4" between the KEEPER and the CATCH.

- P) When either THUMB LATCH is pressed, the DROP BAR will be lifted to clear the CATCH.