

REJUVENATION

GIULIA
wall hung toilet

Specifications:

Installation:	Wall hung
Dimensions:	13 7/8" w x 21 3/4" d x 16" h
Material:	Porcelain
Flush System:	Concealed in-wall dual flush
Waste Outlet:	Wall
Bowl Shape:	Oval
Trap Diameter:	3 1/4" ID, 4 1/8" OD
Water Use:	1.0 gpf
Weight:	52 lbs
Finishes:	001 - White
Includes:	Support brackets for wall-hung toilets 111.847.00.1 with small contact surfaces (thin profiles); it must be installed on the carrier before wall is closed



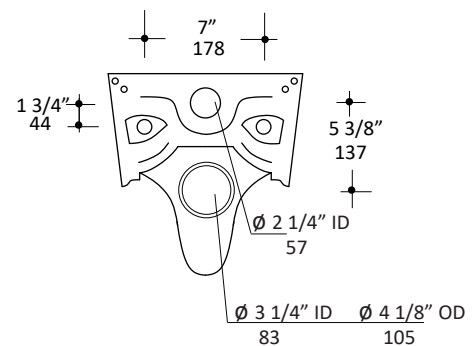
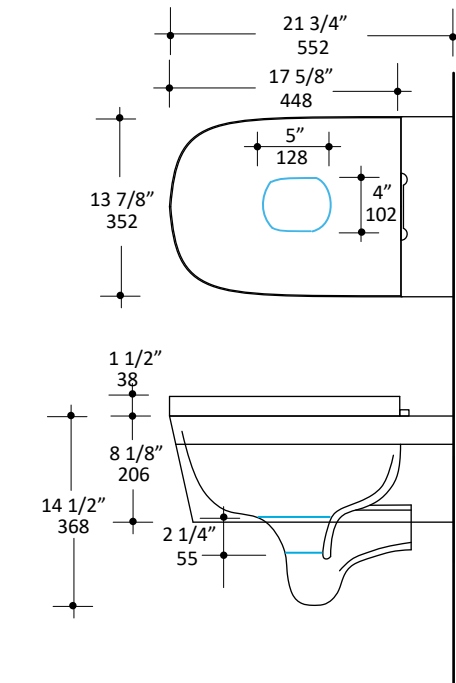
Features:

- Porcelain toilet with composite seat cover
- Requires concealed flushing system and flush actuator
- Soft-closing seat cover is included
- Easy-clean porcelain finish
- Weight limit for wall hung: 602 lbs.
- Low consumption dual flush system - effective flush volume: 1.0 gpf
- MaP performance (Miso Rating): 1000g miso

Codes + Standards:

- Meets and exceeds applicable national codes and standards
- CAL-Green compliant
- CEC compliant

ADA compliant when installed to specific requirements of this regulation

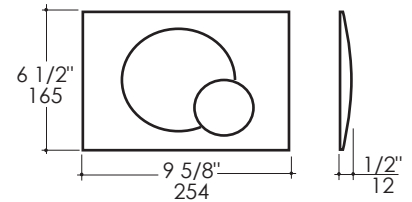


REJUVENATION

Dual-Flush Actuator

Features:

- Dual-flush actuator
- Finish options: Polished Chrome & White



Geberit In-Wall Tank

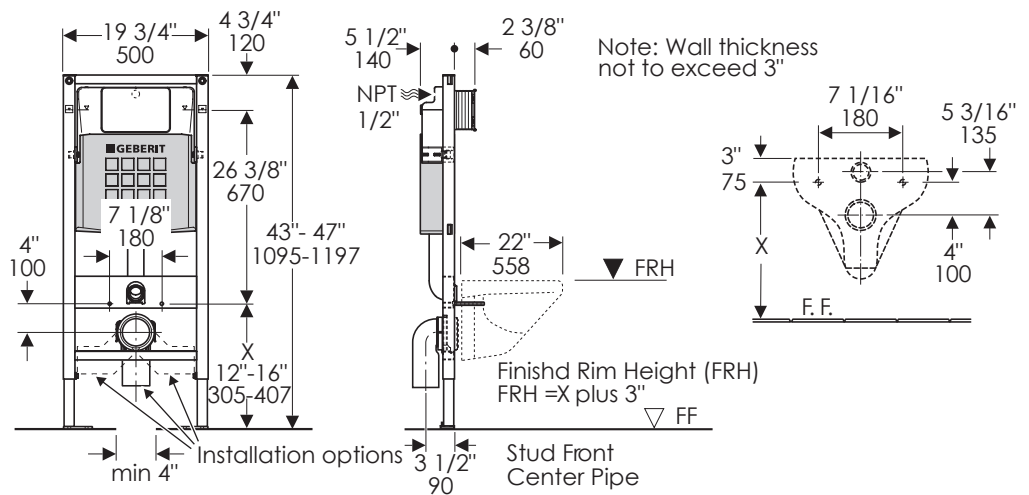
Features:

- Tank and carrier system for wall-hung toilets
- Concealed installation
- Dual flush system 1.6 gpf and 0.8 gpf



Notes:

Drawings provided herein are meant to give the user an idea of the product and are not made to scale. The size in inches is rounded up to the nearest 1/16". Slight variances can often occur with porcelain and woodwork.



Product Specifications: