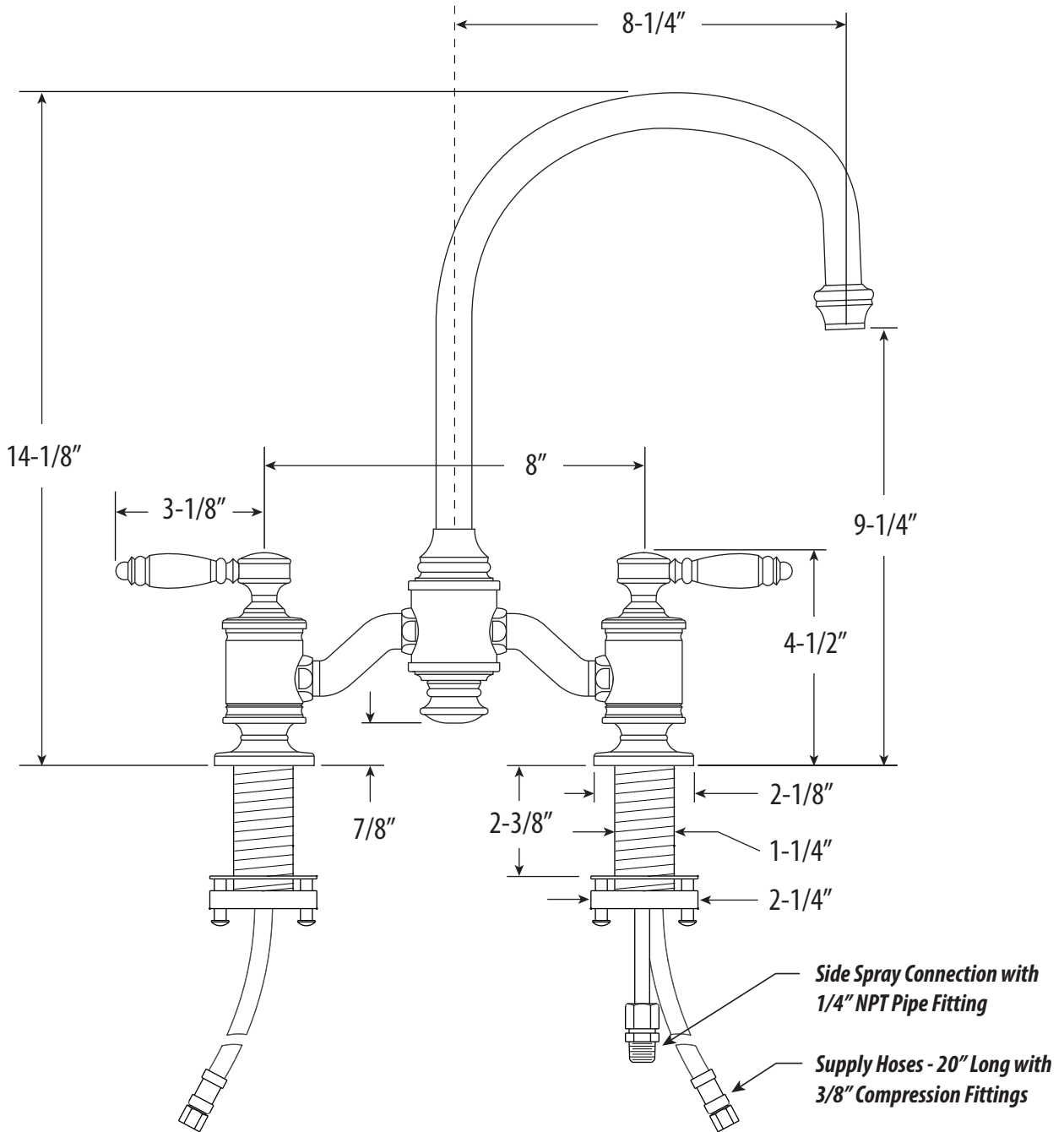


HAMPTON BRIDGE FAUCET / LEVER HANDLES

6300

- MAX COUNTER THICKNESS 2-3/8"
- MINIMUM INSTALL HOLE SIZE 1-3/8"



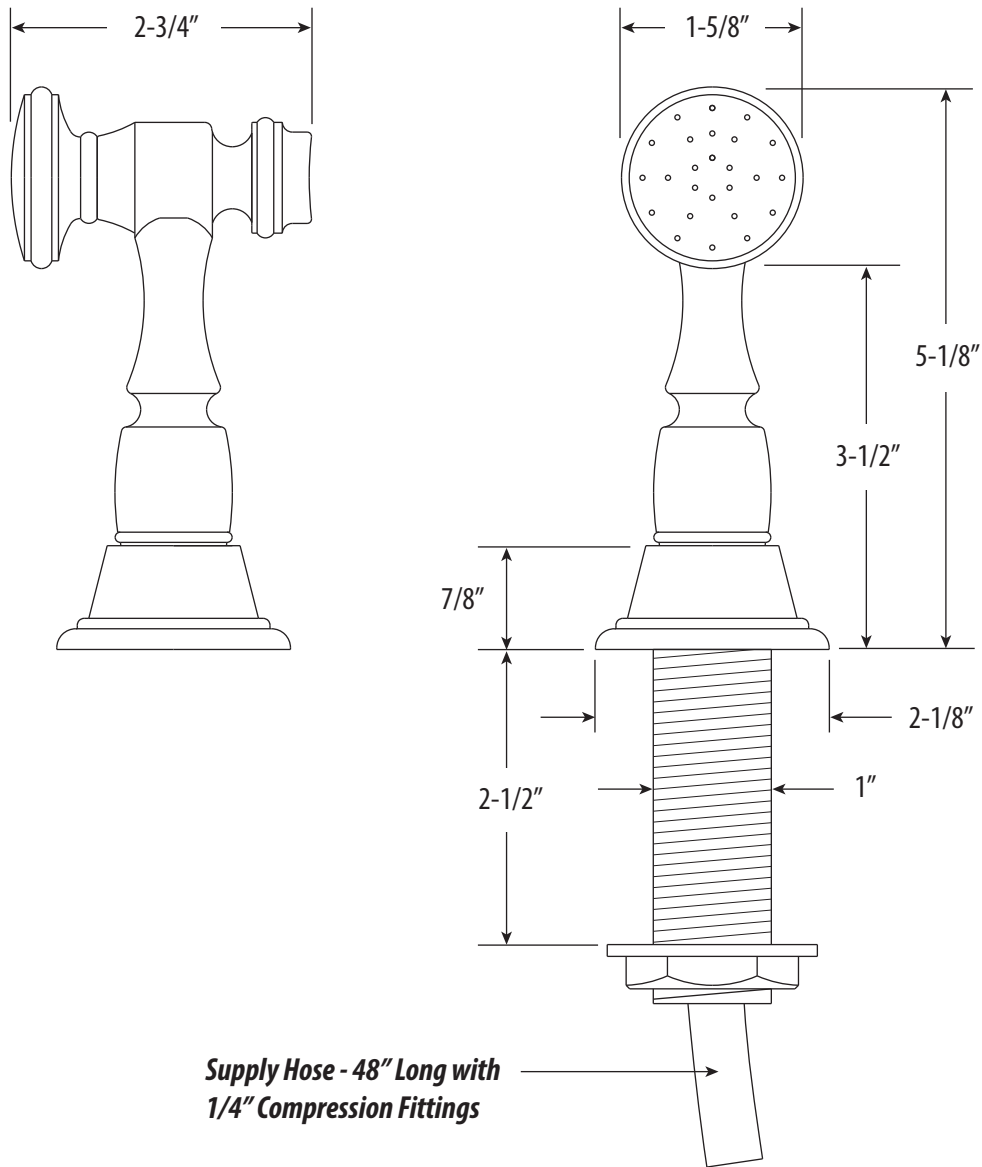
DIMENSIONS MAY VARY AND ARE SUBJECT TO CHANGE. NO RESPONSIBILITY IS ASSUMED FOR USE OF SUPERCEDED OR VOIDED DATA



## TRADITIONAL SIDE SPRAY

# 4025

- MAX COUNTER THICKNESS 2-1/2"
- INSTALL HOLE SIZE ADAPTABLE UP TO 1-3/8"



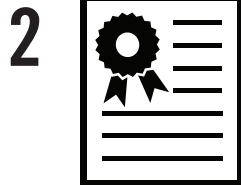
DIMENSIONS MAY VARY AND ARE SUBJECT TO CHANGE. NO RESPONSIBILITY IS ASSUMED FOR USE OF SUPERCEDED OR VOIDED DATA



## BEFORE YOU BEGIN YOUR INSTALLATION:



Turn off water supply.



Observe all local plumbing codes.



Inspect waste and water supplies for signs of damage. Replace as necessary.



DO NOT use petroleum based products on this faucet.

### REQUIRED TOOLS:



1. Adjustable Wrench



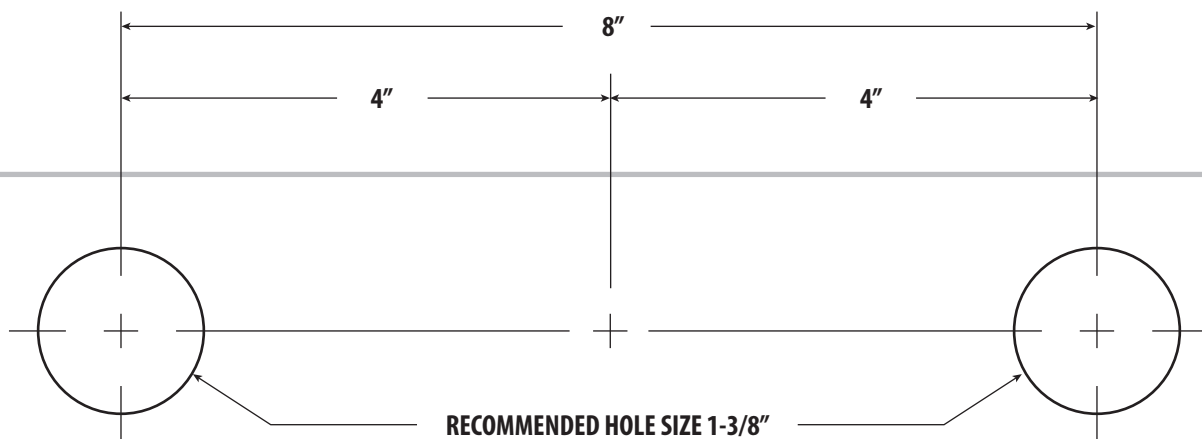
2. Phillips Screwdriver

### PARTS INCLUDED:

HK-USM1250  
 UNDERSINK MOUNTING HARDWARE (1-1/4")

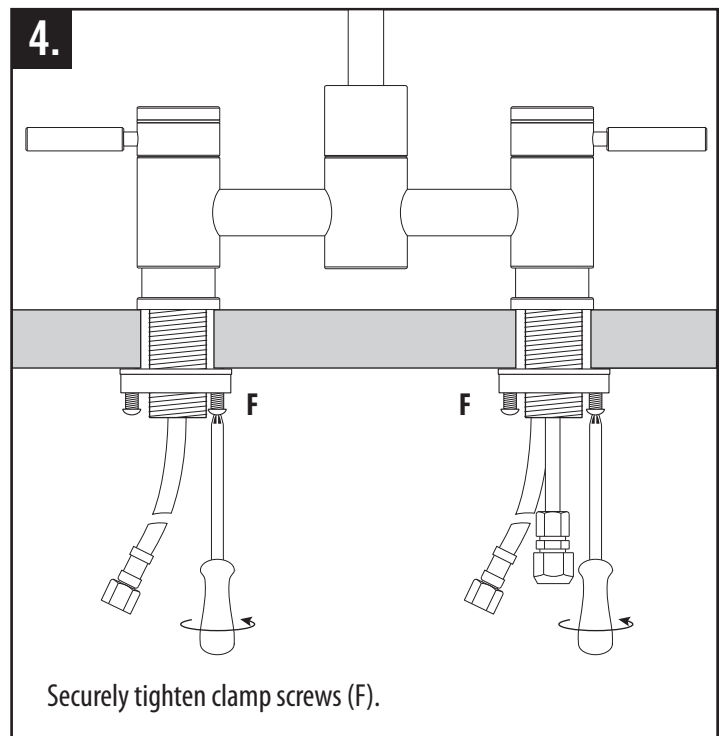
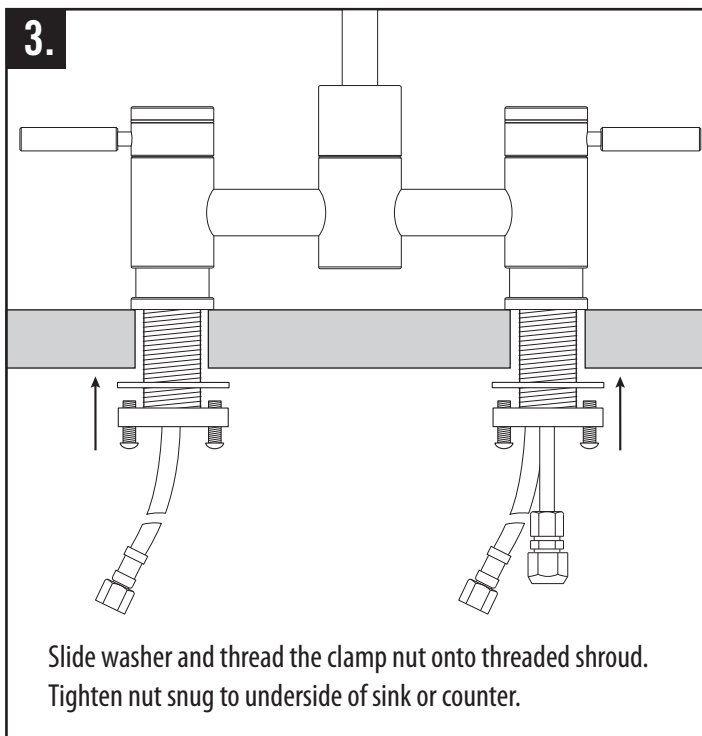
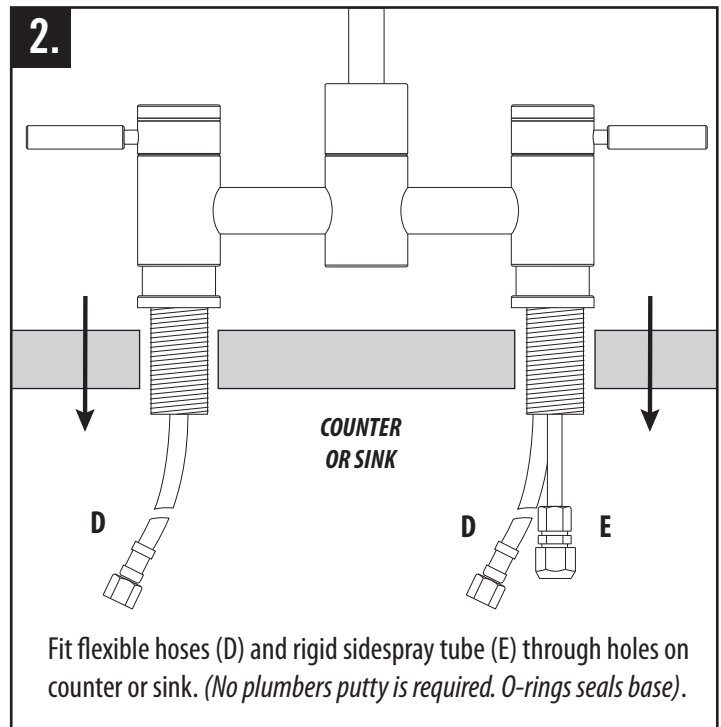
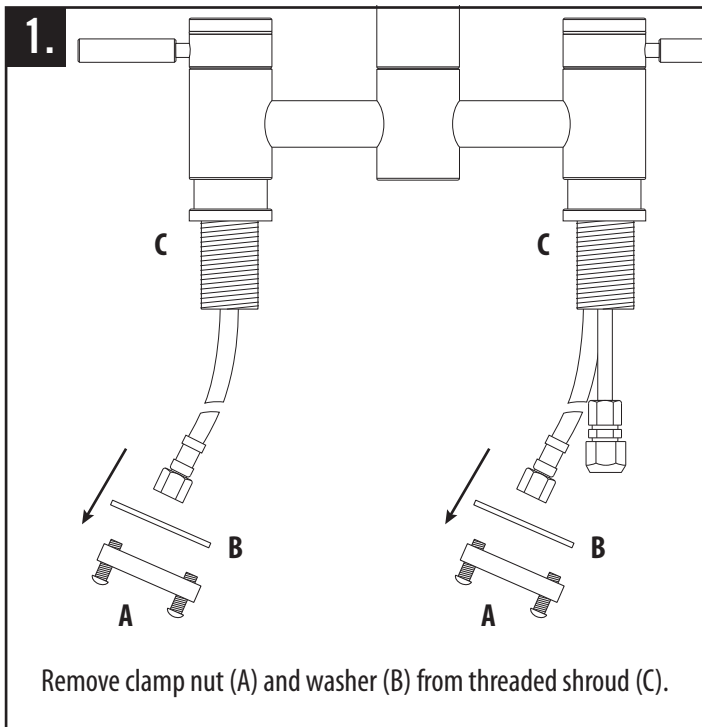
## FAUCET HOLE PLACEMENT

1. Recommended deck hole 1-3/8". Drill holes for bridge faucet in mounting surface 8" on center. **NOT TO SCALE**  
 OPTIONAL SIDE SPRAY: We recommend installing the side spray hole a minimum of 4-3/4" away from nearest mounting hole of faucet.



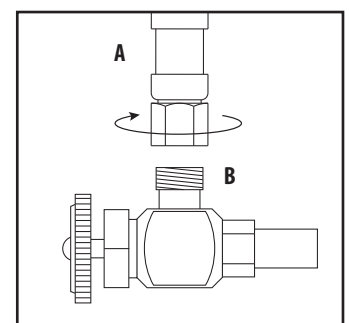
SINK OR MOUNTING SURFACE

# FAUCET INSTALLATION

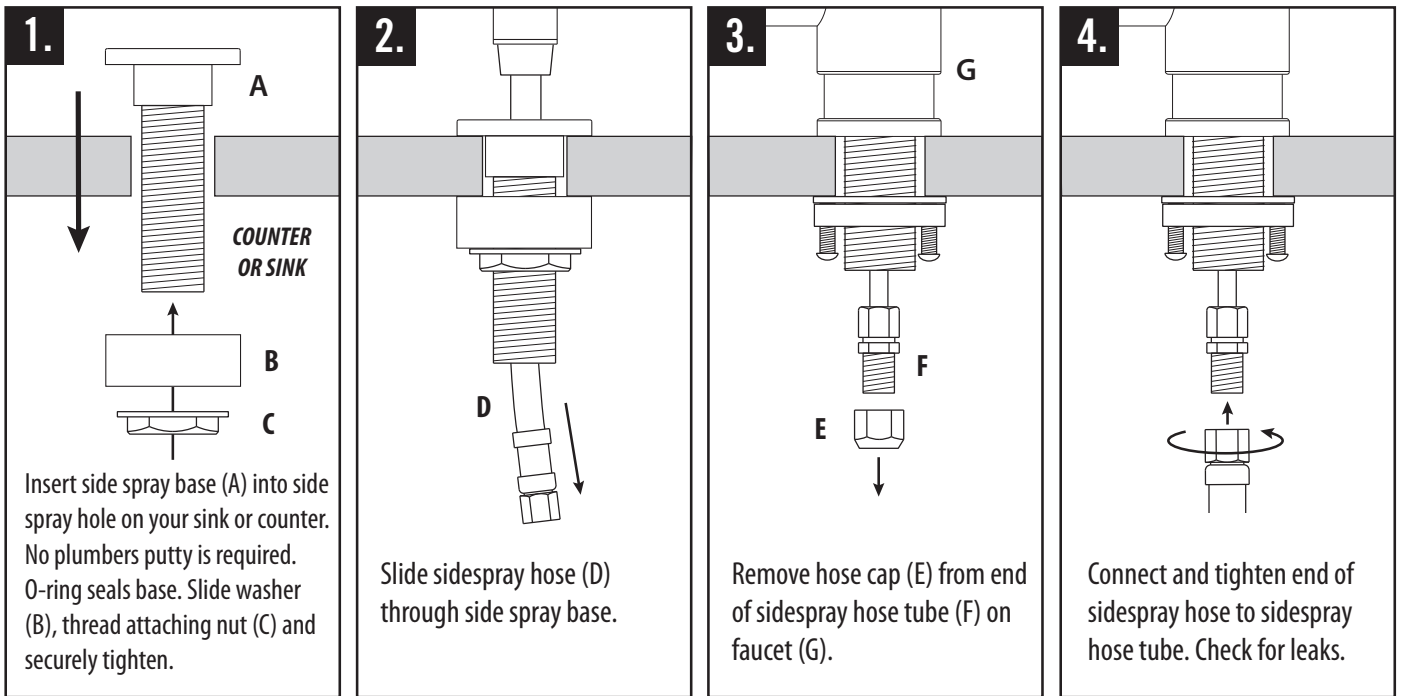


## CONNECTING SUPPLY HOSES

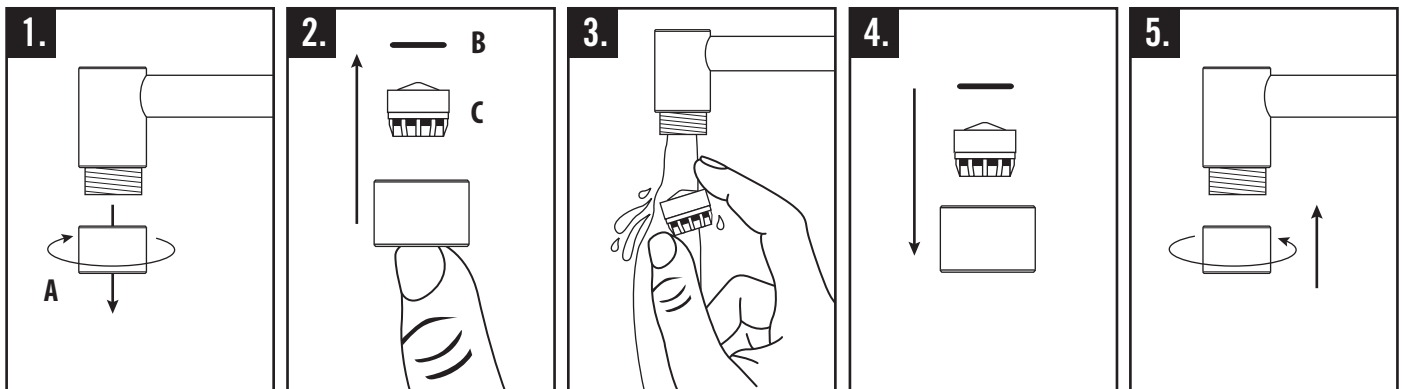
1. Before connecting supply hoses, flush supply stops to clear any debris. Place a bucket underneath stops and run water for 5 to 10 seconds. Turn water off.
2. Carefully position hot and cold supplies so they will not interfere with other hoses.
3. Connect supply hoses (A) to supply stops (B). DO NOT use teflon tape or plumbers putty. Turn water back on and check for leaks.



## CONNECTING OPTIONAL SIDE SPRAY



## CLEANING AERATOR AND DEBRIS SCREEN



Depending on quality of your household water, the aerator and debris screen may become clogged. We recommend cleaning one week after installation, then a minimum of once of year thereafter. To remove the debris, follow the steps below.

1. Gently unscrew and remove spout tip (A) by hand.
2. Remove O-ring (B). To remove aerator (C), push with finger from bottom.
3. Thoroughly rinse aerator with water until all debris is removed.
4. Place aerator, then O-ring back into spout tip.
5. Gently screw spout tip, by hand, snugly back onto spout.

**BEFORE YOU BEGIN YOUR INSTALLATION:**



Turn off water supply.

**REQUIRED TOOLS:**

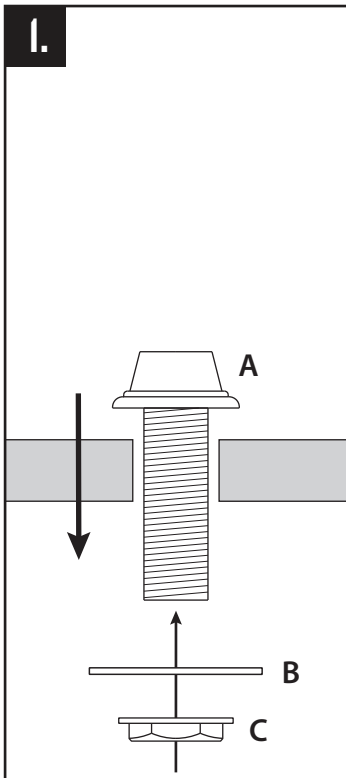


Adjustable Wrench

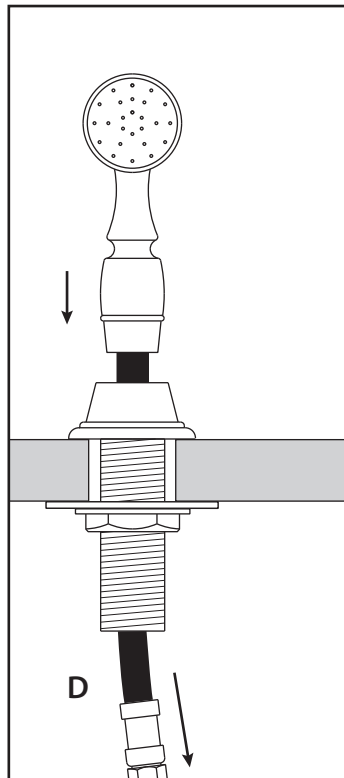


Channel Locks

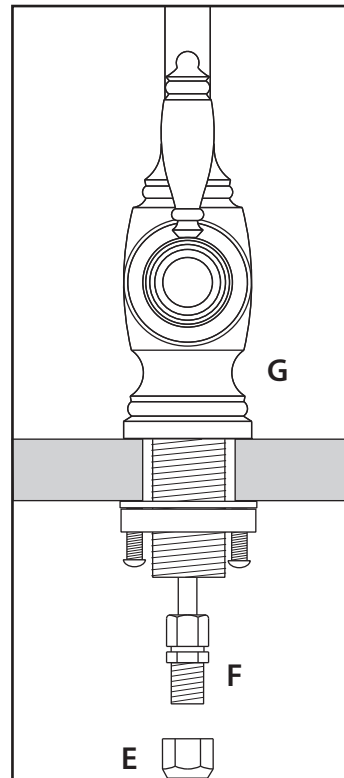
**I.**



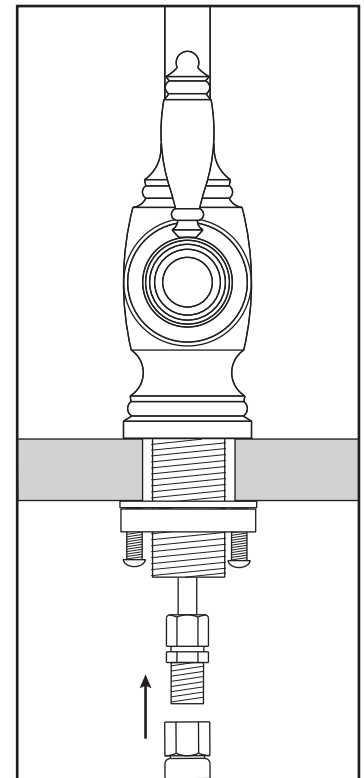
Insert side spray base (A) into side spray hole on your sink or counter. No plumbers putty is required. O-ring seals base. Slide washer (B), thread attaching nut (C) and securely tighten with channel locks.



Slide sidespray hose (D) through side spray base.



Use adjustable wrench to remove hose cap (E) from end of sidespray hose tube (F) on faucet (G).



Connect end of sidespray hose to sidespray hose tube. Use adjustable wrench to tighten. Turn water back on and check for leaks.