

Privacy Set System

skill level • experienced carpenter

installation instructions

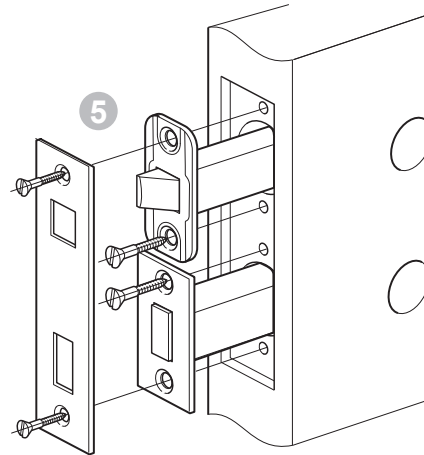
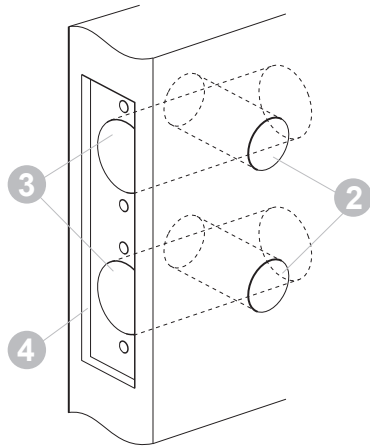
See other side for pre-bored door.

For an un-bored door:

1. Using template provided below, mark edge-bore and cross-bore locations. Select edge-bore position that is **centered** on the edge thickness of your door.
2. Bore two 3/4" diameter holes through door face.
3. Bore two 1" diameter holes 3" deep into the door edge.

NOTE: The doorknob should be 34" - 42" above the floor. 36" is fairly standard. Matching existing doors in the house is a good idea.

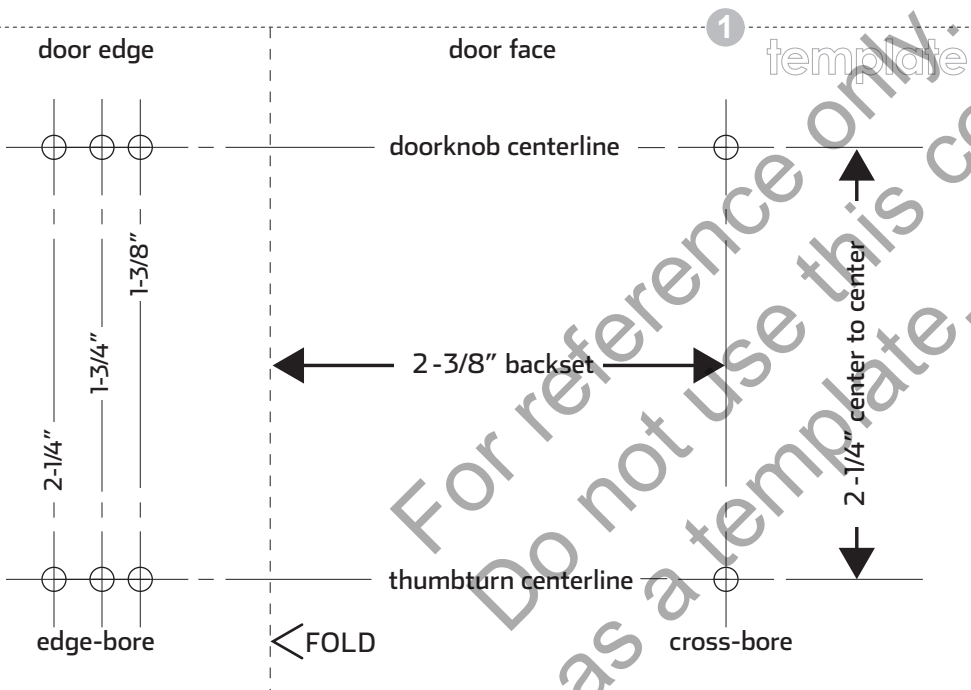
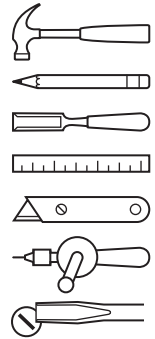
4. Mortise door edge to accept bolt flanges and latch faceplate.
5. Install tube latch and privacy bolt as shown, then mount faceplate and secure with screws.



6. Install trim. Refer to Centering Guide instructions.
7. Mark door jamb appropriately, then mortise, and mount combination strike.

TIP: If action and return is not smooth, try adjusting mounting screw tightness on latch and trim.

toolbox



REJUVENATION®

2550 N.W. Nicolai Street
Portland, Oregon 97210

rejuvenation.com

Customer Service: 888 401-1900

Privacy Set System

skill level • experienced carpenter

installation instructions

See other side for un-bored door.

For a pre-bored door:

1. A second hole in door face and door edge will be required. Using template provided below, mark edge-bore and cross-bore locations. Select edge-bore position that is **centered** on the edge thickness of your door. Accurately space the vertical center-to-center distance.
2. Bore a 3/4" diameter hole through door face.
3. Bore a 1" diameter hole into the door edge.
4. Mortise door edge to accept the privacy bolt flange and latch faceplate.
5. Insert tube latch into hole, position latch faceplate and screw through brass faceplate.
 - * If you are installing a rosette-style door set, see Bore Insert instructions below.
6. Refer to Centering Guide instructions to install trim.
7. Mark door jamb appropriately, mortise and mount combination strike.

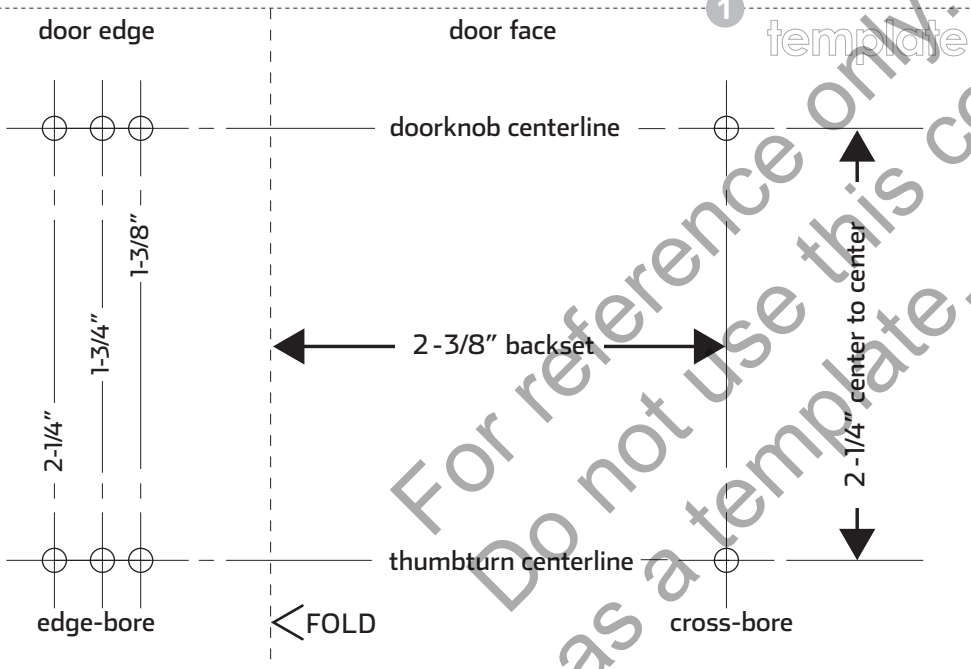
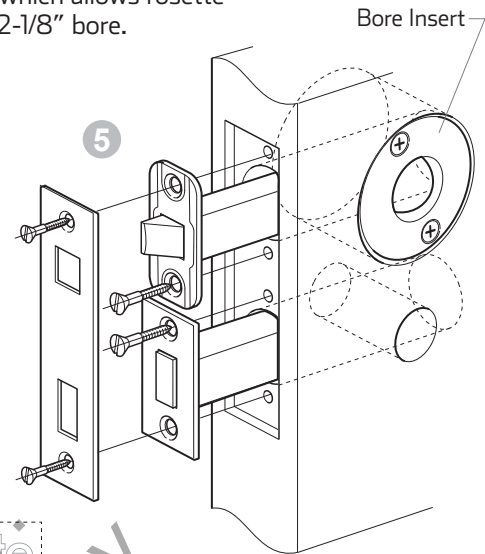
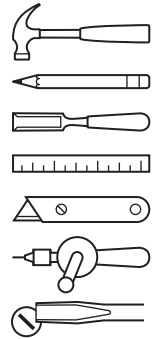
TIP: If action and return is not smooth, try adjusting mounting screw tightness on latch and trim.

* Most rosette-style door sets require a Bore Insert, an adapter which allows rosette mounting on a door that has been pre-drilled with a standard 2-1/8" bore.

- A. Place Bore Insert into bore.
- B. Install tube latch and privacy bolt as shown, then mount faceplate and secure with screws.
- C. Adjust depth screws on Bore Insert so that it is just slightly inside thickness of door.
- D. Using nail set, drive finish nail on side of Bore Insert into door to secure.
- E. Re-adjust depth screws if Bore Insert is not still flush with or slightly inside thickness of door.

Continue with line 6 above.

toolbox



REJUVENATION®

2550 N.W. Nicolai Street
Portland, Oregon 97210

rejuvenation.com

Customer Service: 888 401-1900

Door Set

skill level • handy person

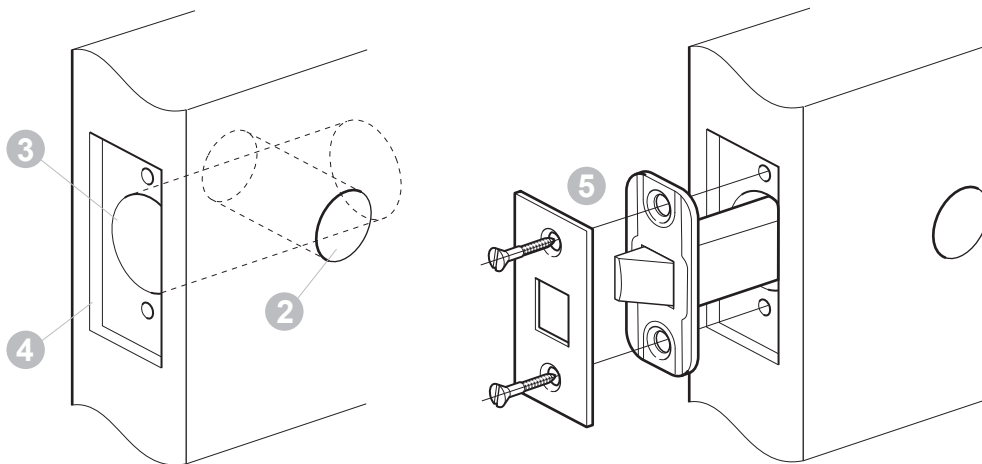
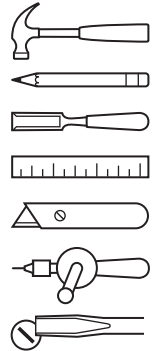
installation instructions

See other side for a bored door.

For un-bored door:

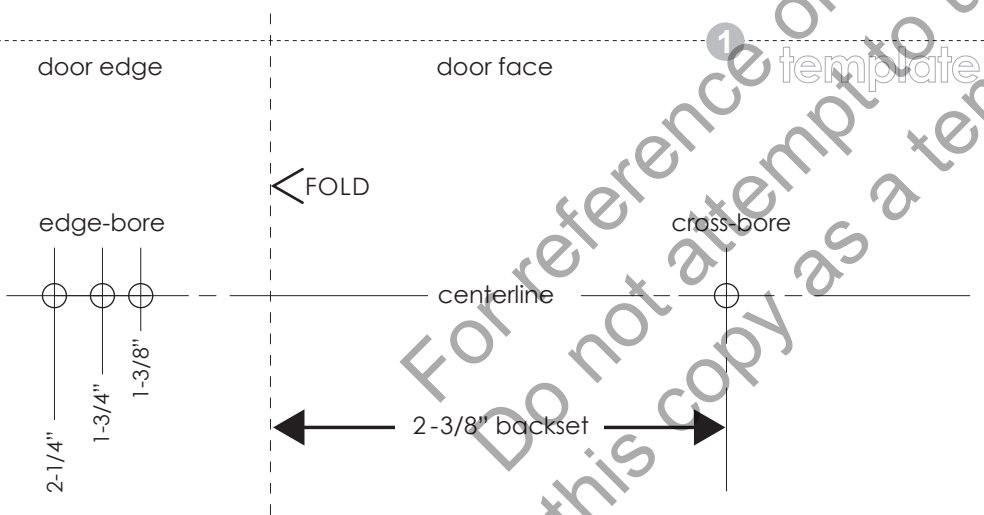
- Using template provided below, mark edge-bore and cross-bore locations. Select edge-bore position that is centered on the edge thickness of your door.
- Bore a 3/4" diameter hole through the door face.
NOTE: The doorknob should be 34" - 42" above the floor. 36" is fairly standard. Matching existing doors in the house is a good idea.
- Bore a 1" diameter hole 3" deep into the door edge.
- Mortise door edge to accept bolt flange and latch faceplate.
- Insert tube latch into hole, position latch faceplate and screw through brass faceplate.

toolbox



- Refer to Centering Guide instructions to install trim.
- Mark and mortise door jamb appropriately, and install latch strike.

TIP: If action and return is not smooth, try adjusting mounting screw tightness on latch and trim.



REJUVENATION®

2550 N.W. Nicolai Street
Portland, Oregon 97210

rejuvenation.com

Customer Service: 888 401-1900

Z6691

Door Set

skill level • handy person

installation instructions

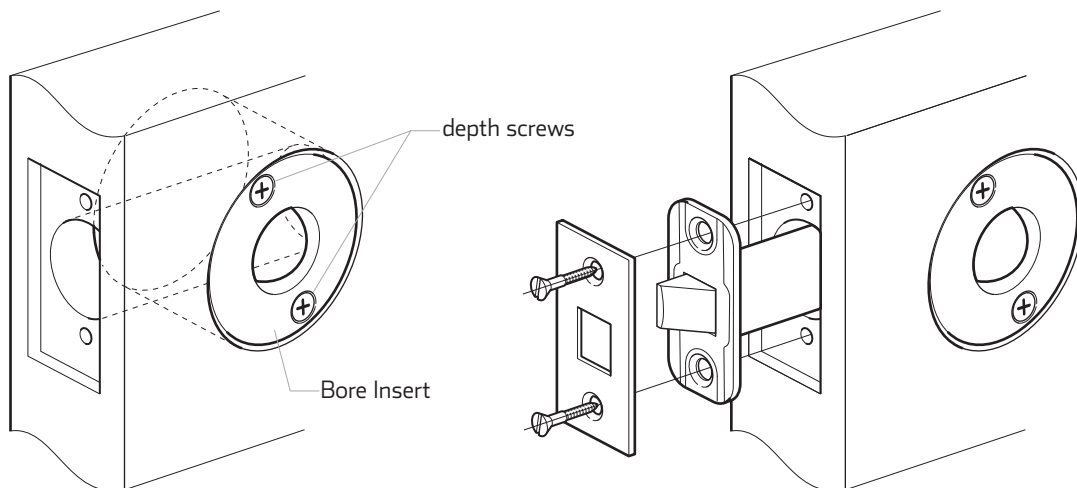
See other side for un-bored door.

For pre-bored door:

1. Insert tube latch into hole, position latch faceplate and screw through brass faceplate.
* If you are installing a rosette-style door set, see Bore Insert instructions below.
2. Refer to Centering Guide instructions to install trim.
3. Mark and mortise door jamb appropriately, and install latch strike.

TIP: If action and return is not smooth, try adjusting mounting screw tightness on latch and trim.

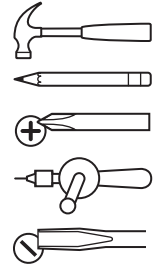
* Most rosette-style door sets require a Bore Insert, an adapter which allows rosette mounting on a door that has been pre-drilled with a standard 2-1/8" bore.



- A. Place Bore Insert into bore.
- B. Insert tube latch into hole, position latch faceplate and screw through brass faceplate.
- C. Adjust depth screws on Bore Insert so that it is just slightly inside thickness of door.
- D. Using nail set, drive finish nail on side of Bore Insert into door to secure.
- E. Re-adjust depth screws if Bore Insert is not still flush with or slightly inside thickness of door.

Continue with line 2 above.

toolbox



REJUVENATION®

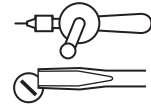
2550 N.W. Nicolai Street, Portland Oregon 97210 • Customer Service: (888) 401-1900 • rejuvenation.com

Centering Guides

skill level • handy person

installation instructions

toolbox



Centering Guides help align trim with latch for smooth and proper function.

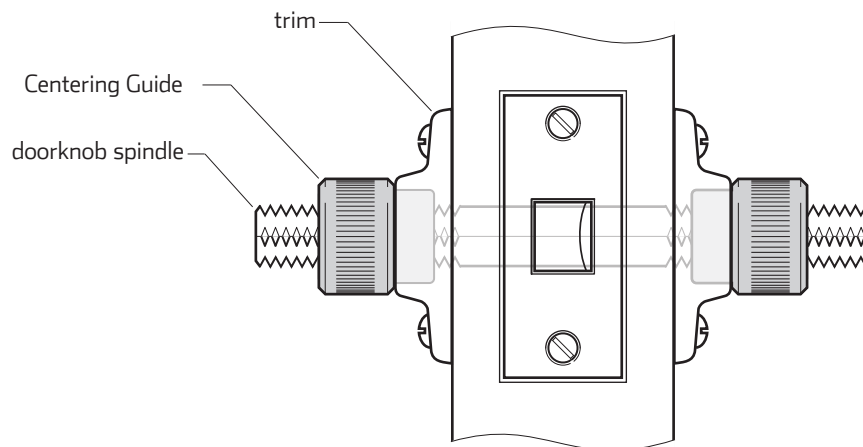
1. Insert doorknob spindle through the hub of the lock or latch.
2. Place trim over the spindle on both sides of door.
3. Screw Centering Guides onto the spindle until tight, rocking spindle gently to assure proper fit and alignment.
4. Drill pilot holes and screw trim to the door.

NOTE: If applicable, check for correct alignment of the privacy thumbturn before mounting plates.

5. Remove the Centering Guides and remove the spindle from the hub.
6. Screw the first knob onto spindle and tighten the set screws onto the V-groove of the spindle.
7. Insert the spindle end through the hub and install the second knob as in the previous step.

NOTE: Do not overtighten the second knob against the plate or rosette - there should be a slight amount of back and forth play to allow the knobs to turn freely.

 Please recycle the Centering Guides after installation is complete.



REJUVENATION®

2550 N.W. Nicolai Street, Portland Oregon 97210 Customer Service: (888) 401-1900 rejuvenation.com