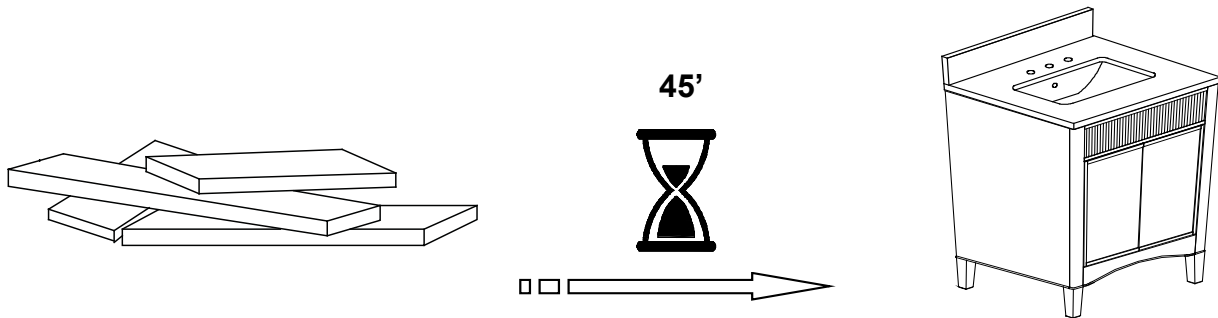


ISLNGTN 36in



ENGLISH

- Do not dispose of any packaging or contents of the shipping carton until assembly is completed to avoid accidentally discarding small parts or hardware.

FRANÇAIS

- Ne jetez rien des produits d'emballage et du contenu de la boîte jusqu'à ce que l'assemblage soit terminé, afin d'éviter de jeter par mégarde de petites pièces ou des morceaux.

ESPAÑOL

- Para evitar desechar accidentalmente las partes pequeñas o las piezas de ferretería, no tirar el embalaje o contenido de la caja hasta que el ensamblaje esté completo.

Care Instructions:

- Dust often using a clean, soft, dry and lint-free cloth.
- When blot spills, wipe with a clean, damp cloth immediately.
- We do not recommend the use of chemical cleansers, abrasives or furniture polish on our lacquered finish.
- Hardware may loosen over time. Periodically check to make sure all connections are tight. Re-tighten if necessary.

Instructions d'entretien :

- Épousseter régulièrement avec un chiffon propre, doux et non pelucheux.
- Éponger immédiatement les liquides renversés et essuyer à l'aide d'un chiffon propre et humide.
- L'utilisation de produits nettoyants chimiques, d'abrasifs ou d'encaustiques sur nos finitions laquées n'est pas recommandée.
- Le matériel de fixation peut se desserrer avec le temps. Vérifiez régulièrement afin de vous assurer que tous les raccords sont bien serrés. Resserrez-les au besoin.

Instrucciones de cuidado:

- Limpiar el polvo con un trapo limpio, suave, seco y libre de pelusas.
- Secar los derrames de inmediato y limpiar con un trapo limpio y húmedo.
- Recomendamos no usar limpiadores químicos, abrasivos o lustramuebles sobre el acabado barnizado.
- Las piezas de ferretería pueden aflojarse con el tiempo. Controlar periódicamente que estén bien ajustadas. Si es necesario, volver a ajustarlas.

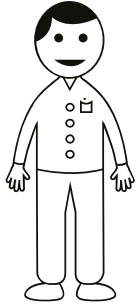
Williams-Sonoma Inc.

Assembly Instructions
Instructions d'assemblage
Instrucciones de Ensamblaje

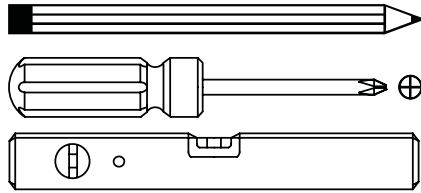
Pottery Barn – Pottery Barn Teen – Pottery Barn Kids – Williams Sonoma Home – West Elm – Rejuvenation – Mark and Graham – GreenRow

07-Nov.-2023

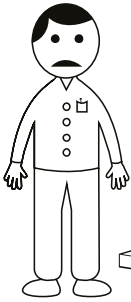
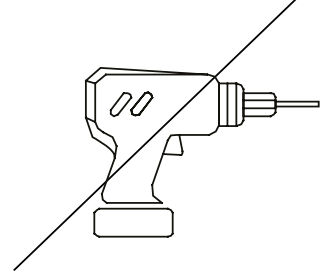
3/17



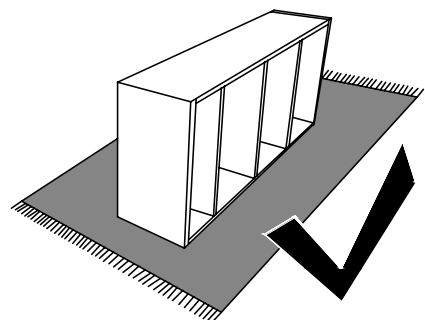
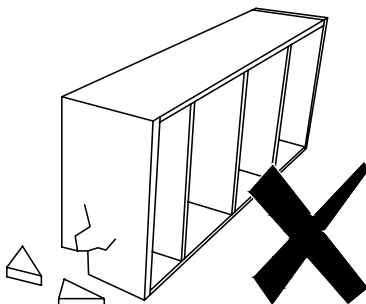
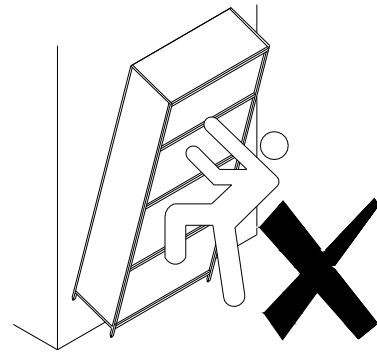
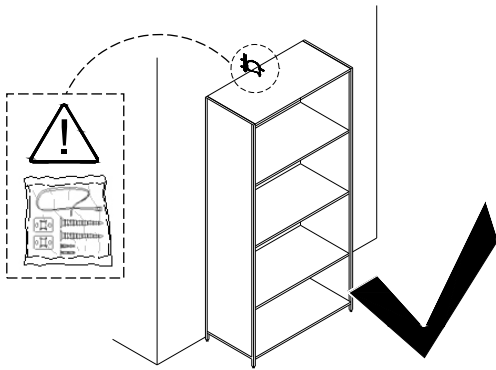
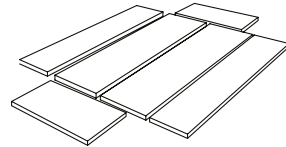
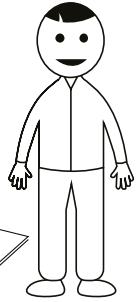
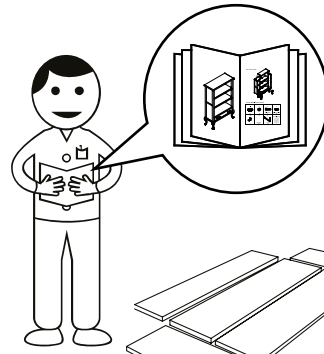
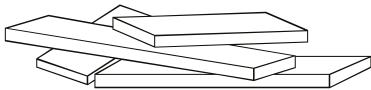
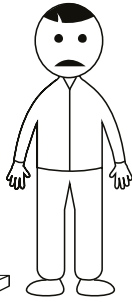
X2



(NOT INCLUDED / NON INCLUS / NO INCLUIDAS)



?



BEFORE YOU BEGIN

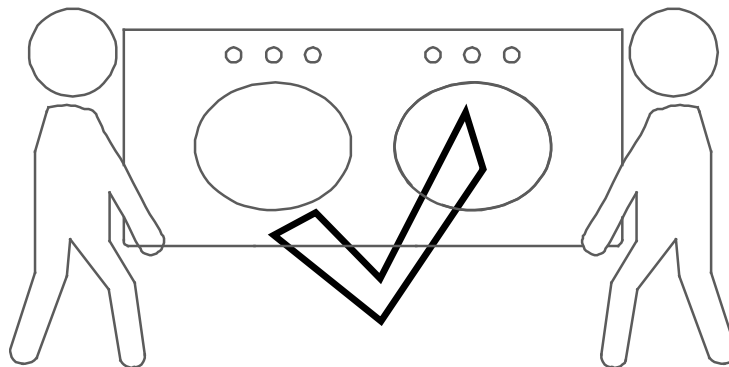
- Marble top is both heavy, and until installed, fragile. Please have a helper and use caution when moving marble top.

Important Safety Instructions:

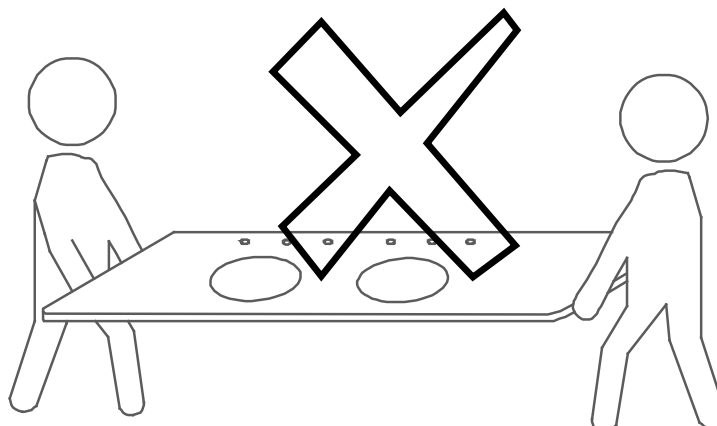
Keep natural stone materials in its packaging until installation and stone on its edge.

CAUTION: When removing natural stone product from its package, always ensure it is removed vertically on its long edge.

- Always carry natural stone product vertically on its long edge.



- Carrying natural stone flat WILL cause them to crack or break.



BEFORE YOU BEGIN (cont'd)

- Make sure to observe all local plumbing codes.
- Prior to installation, unpack and inspect both the console and marble top and porcelain lavatory for damage. Locate the installation parts package and put in a safe place—you will need this for installation.
- *Do not dispose of any packaging or contents of the shipping carton until assembly is completed to avoid accidentally discarding small parts or hardware.*
- Installation assumes that walls and floor are plumb and level. Please make appropriate adjustments for other conditions.
- Remove any molding that may prevent the console from being set flush to the finished wall.

TOOLS AND MATERIALS

- Tape measure
- Pencil
- Level
- Drill with appropriate drill and driver bits
- Eye protection
- Clear 100% silicone adhesive caulk
- Screws for securing vanity base to building framing.

CARE INSTRUCTIONS

- Dust often using a clean, soft, dry and lint-free cloth.
- Blot up spills immediately and wipe up residue with a clean, damp cloth.
- We do not recommend the use of chemical cleansers, abrasives or furniture polish on our lacquered finish.
- Hardware may loosen over time. Periodically check to make sure all connections are tight. Re-tighten if necessary.
- Marble is a natural material, the amount of veining and coloration will vary which is part of its inherent beauty.
- Marble is sensitive to acid, as it's kind of natural stone, and consists mainly of calcium carbonate; please remove wine or fruit juice immediately from the surface of marble top. We strongly advise to avoid using acidic cleaners.
- Consult with a professional at your local home supply store regarding sealer. Re-apply sealer every two years.
- Clean frequently with a clean soft damp cloth. Use a mild liquid detergent and warm water.
- Avoid all types of abrasive cleaners and rough cleaning pads. Do not use any products that contain acids on the marble as this can cause the finish to dull.
- Liquid spills should be cleaned up promptly.
- Placing protective pads on the bottom of any heavy objects will help prevent scratching of the marble surface.
- Do not place extremely heavy items on the marble top.

Instructions d'entretien

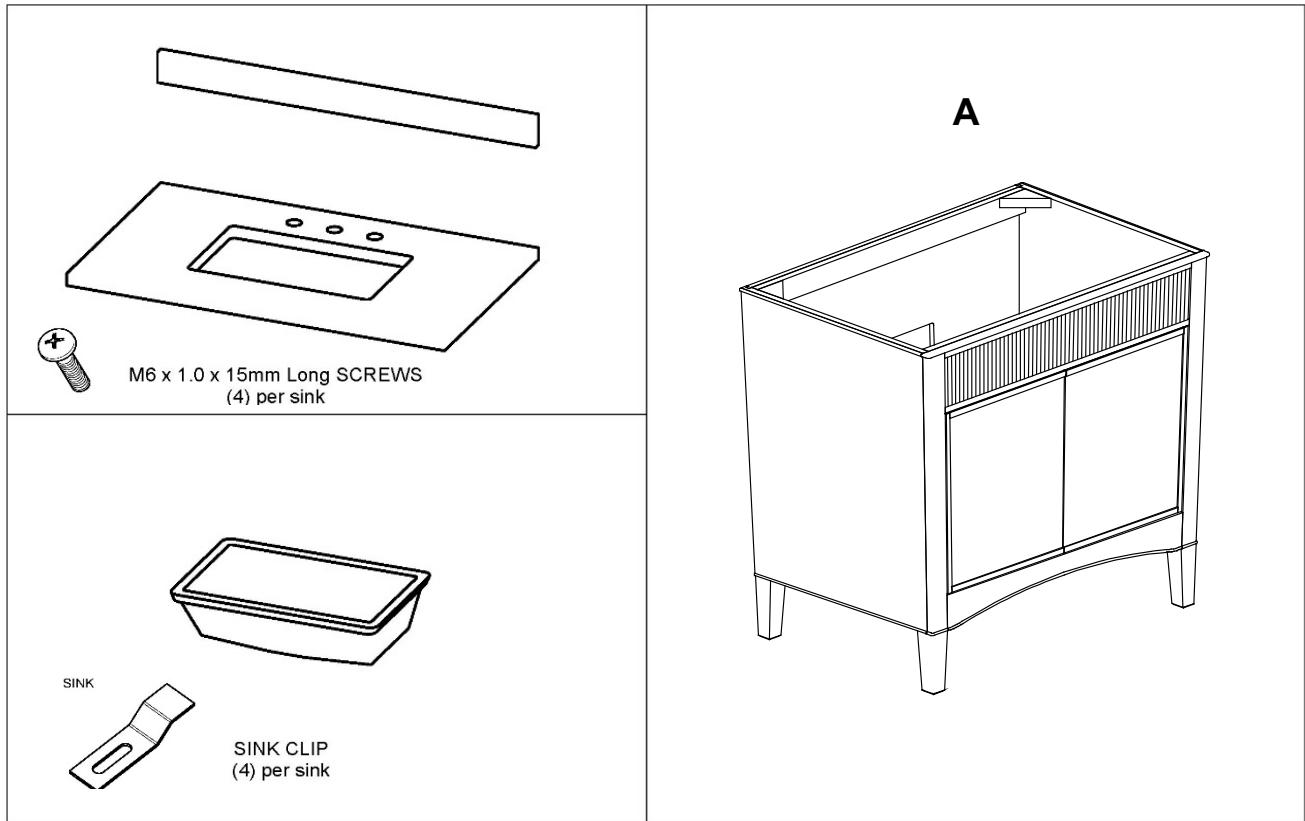
- Épousseter régulièrement avec un chiffon propre, doux et non pelucheux.
- Éponger immédiatement les liquides renversés et essuyer à l'aide d'un chiffon propre et humide.
- L'utilisation de produits nettoyeurs chimiques, d'abrasifs ou d'encaustiques sur nos finitions laquées n'est pas recommandée.
- Le matériel de fixation peut se desserrer avec le temps. Vérifiez régulièrement afin de vous assurer que tous les raccords sont bien serrés. Resserrez-les au besoin.
- Le marbre est un matériau naturel; la quantité de veines et la coloration varient, ce qui fait partie de son attrait.
- Le marbre est sensible à l'acide car il est une pierre naturelle et est composé principalement du carbonate de calcium; essuyer immédiatement le vin ou le jus de fruit de la surface du dessus en marbre. Nous recommandons fortement d'éviter d'utiliser les nettoyeurs acides.

- Consulter un professionnel à la quincaillerie locale concernant le produit d'étanchéité.
- Réappliquer le produit d'étanchéité tous les deux ans.
- Nettoyer régulièrement avec un chiffon humide propre et doux. Utiliser un détergent liquide doux et de l'eau chaude.
- Éviter tout type de nettoyeurs abrasifs et de tampons de nettoyage rugueux. Ne pas utiliser les produits contenant des acides sur le marbre car cela peut faire en sorte que la finition devienne mate.
- Il faut nettoyer immédiatement les déversements.
- Placer des tampons protecteurs sur le bas des objets lourds aidera à éviter d'égratigner la surface en marbre.
- Ne pas placer les objets extrêmement lourds sur le dessus en marbre.

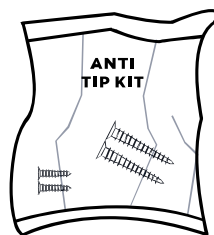
Instrucciones de cuidado:

- Limpiar el polvo con un trapo limpio, suave, seco y libre de pelusas.
- Secar los derrames de inmediato y limpiar con un trapo limpio y húmedo.
- Recomendamos no usar limpiadores químicos, abrasivos o lustramuebles sobre el acabado barnizado.
- Las piezas de ferretería pueden aflojarse con el tiempo. Controlar periódicamente que estén bien ajustadas. Si es necesario, volver a ajustarlas.
- El mármol es un material natural, la cantidad de vetas y coloración variará, lo cual es parte de su belleza inherente. El mármol es sensible al ácido, debido a que es una piedra natural y consiste principalmente de carbonato de calcio. Quitar el vino y jugo de frutas inmediatamente de la superficie del mármol. Le recomendamos evitar los limpiadores ácidos.
- Consultar con un profesional en su tienda local para el sellador. Volver a aplicar el sellador cada dos años. Limpiar frecuentemente con un trapo limpio, suave y húmedo. Utilizar un detergente líquido suave y agua tibia.
- Evitar todo tipo de limpiadores abrasivos y paños de limpieza ásperos. No utilizar productos que contengan ácidos para el mármol, debido a que esto puede opacar el acabado.
- Los derrames de líquido se deben limpiar de inmediato.
- Colocar paños protectores en la base de cualquier objeto pesada ayudará a prevenir rayaduras en la superficie de mármol.
- No colocar artículos demasiado pesados en la superficie del mármol.

PACKED IN 3 BOXES AS SHOWN



B

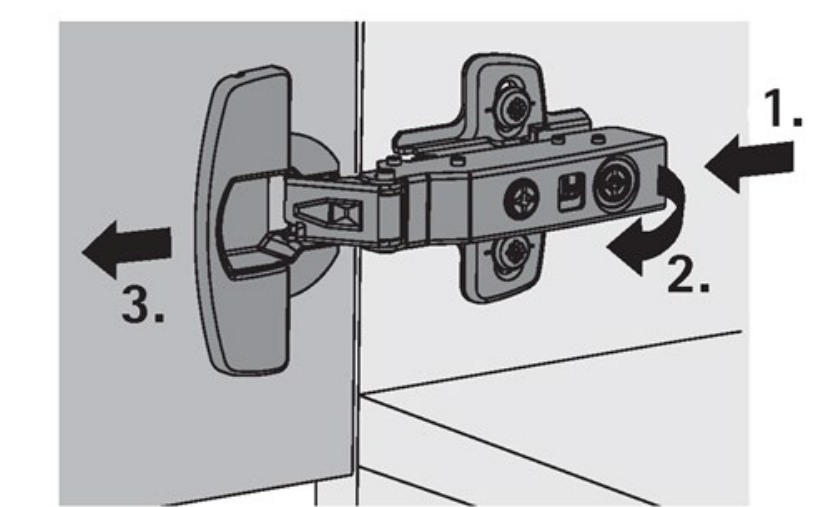


- Anti-tip kit /
- Dispositif anti-basculement/
- Kit anti-volcada

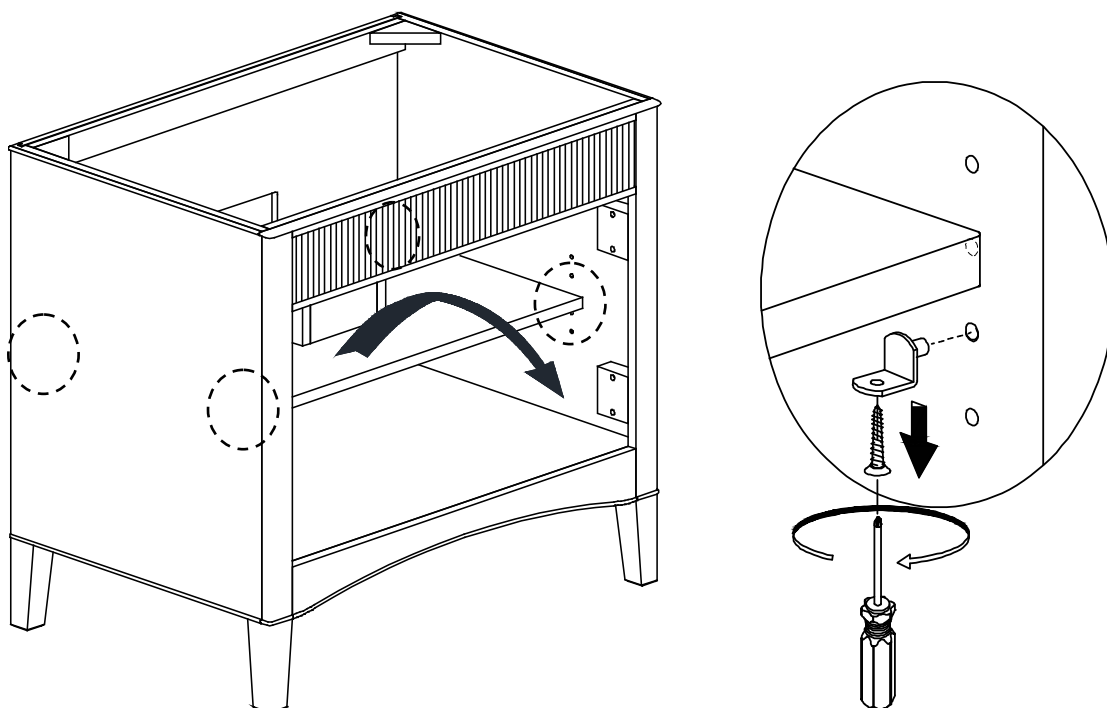
1x

TEST FIT THE VANITY BASE

- Remove the doors. No tools required. Mark locations and set aside in a safe place.

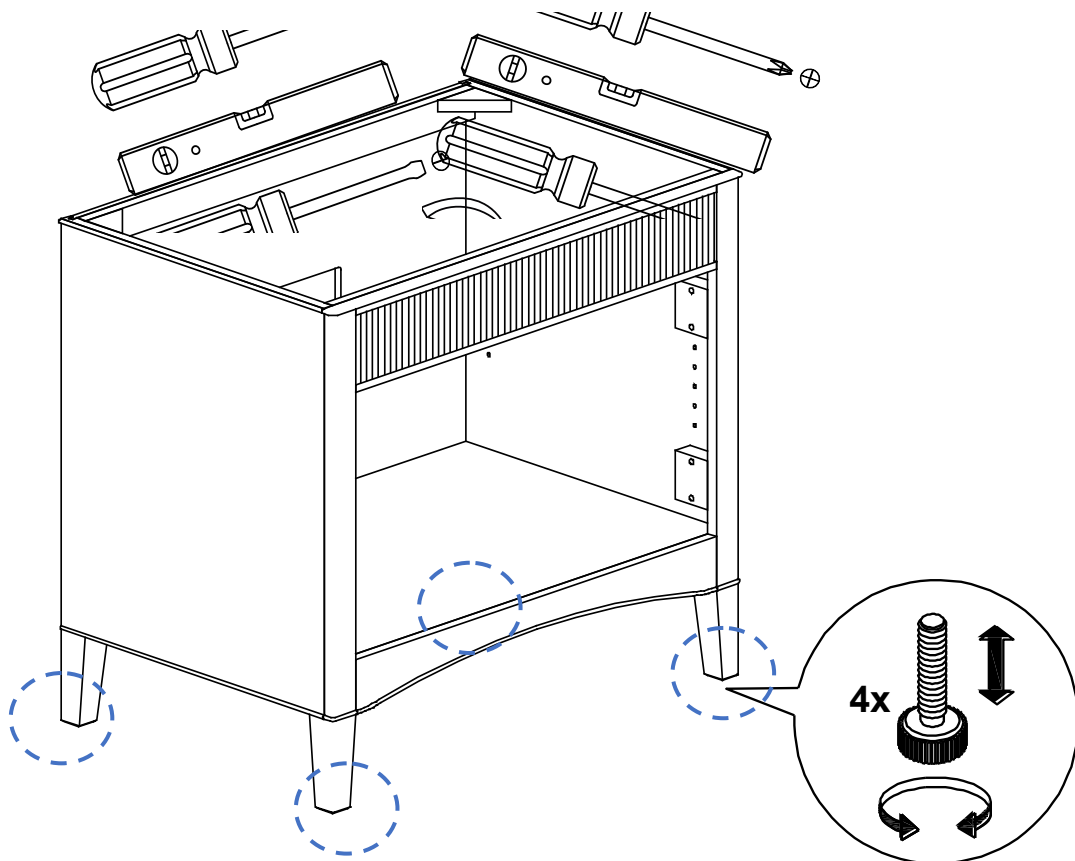


- Remove the wooden shelf by unscrews from the bottom of the shelf clips. Mark locations and set aside in a safe place.



POSITION THE VANITY BASE

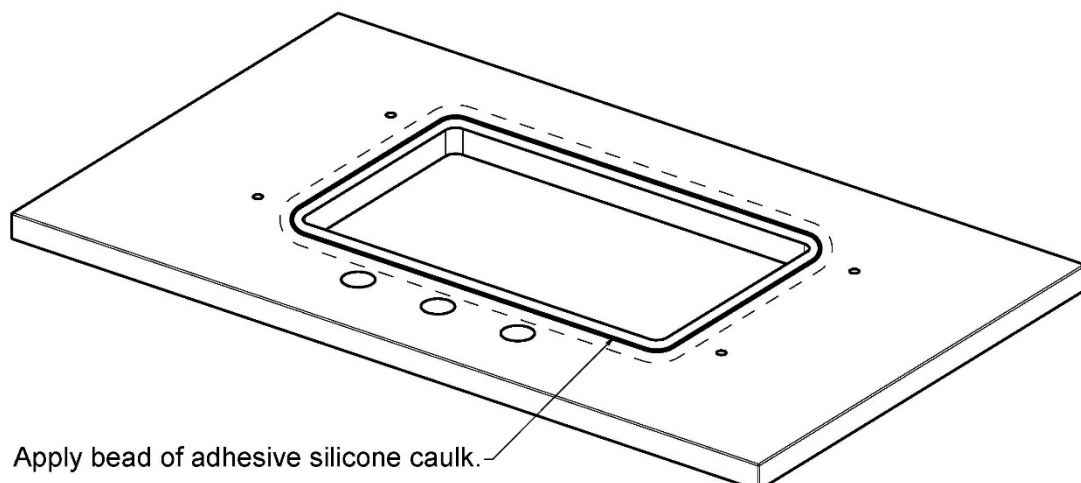
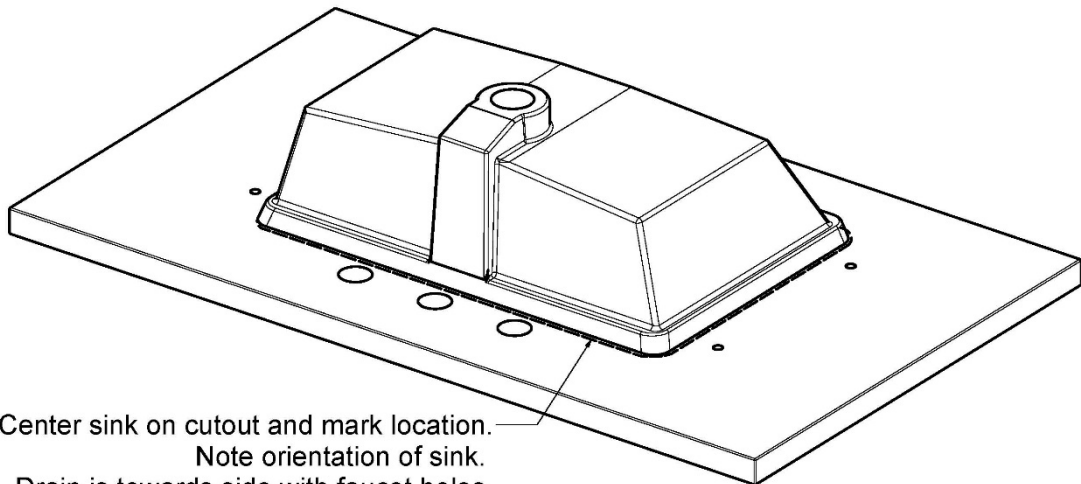
- Position the vanity base in the desired location against the finished wall. Remove baseboard as needed.
- Verify that the vanity base is level: front to back and side to side. Adjust the levelers at the bottom of the legs as necessary. Once vanity base is level extend leveler on center foot.



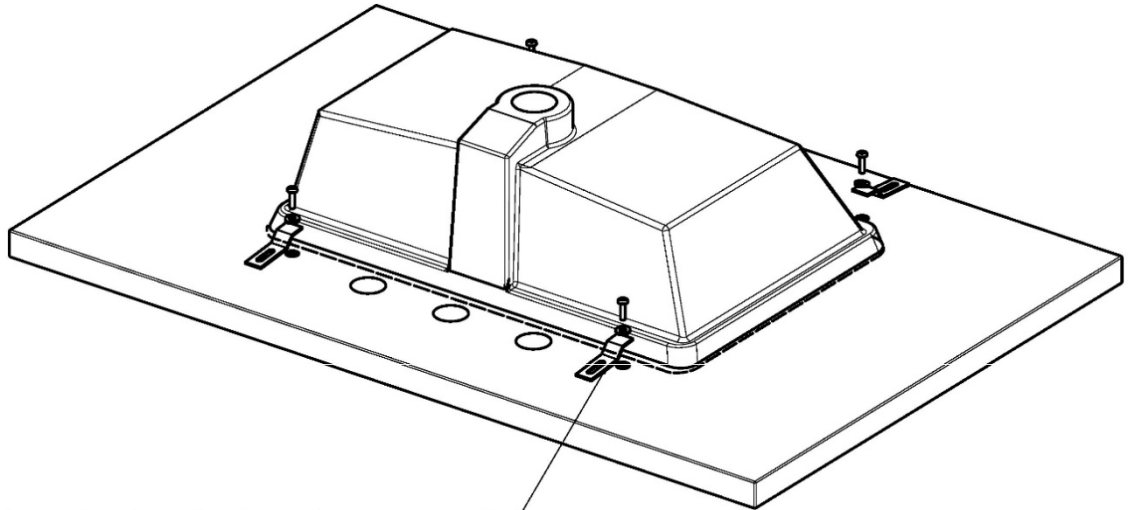
ATTACH THE VANITY BASE TO THE WALL

- Locate two wall studs to secure the vanity base. Make sure to avoid plumbing.
- Mark these locations on the back of the vanity base. Drill pilot holes through the back rail and into the studs. If necessary, provide shims between vanity and back rail so the vanity base is not distorted.
- Using screws (not supplied), secure the vanity base to the wall. Do not use wall anchors.

ATTACH THE UNDERMOUNT SINK TO THE TOP



ATTACH THE UNDERMOUNT SINK TO THE TOP (CONT'D)



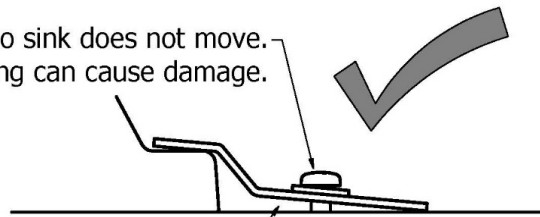
Realign sink and install 4 clips with screws per sink.

!! Use hand screwdriver only !!

Screws only need to be snug enough that sink does not move.
The clips do not have to be flat against the stone top.

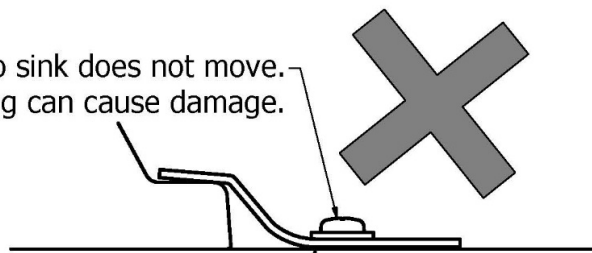
Let caulk cure per manufacturer's directions.

Hand tighten screw snugly enough so sink does not move.
Over torquing can cause damage.



GAP between CLIP and TOP is OK

Hand tighten screw snugly so sink does not move.
Over torquing can cause damage.



Do NOT try to screw clip tight against stone top.

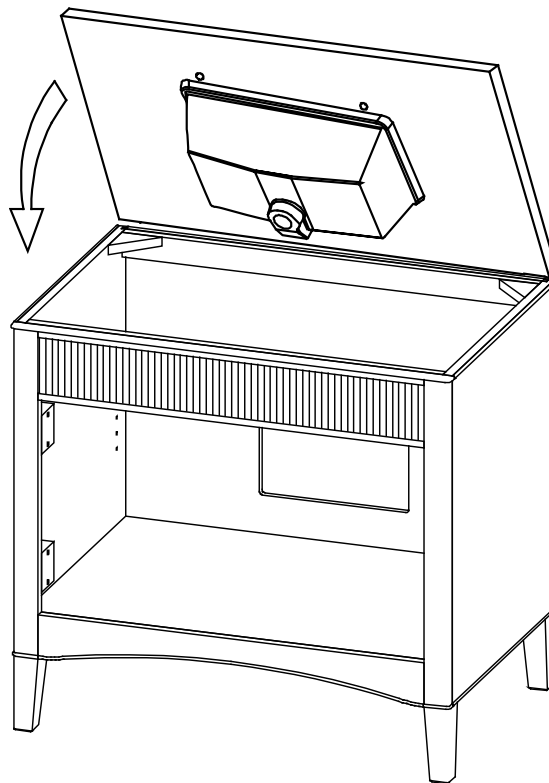
ATTACH THE TOP TO THE VANITY BASE

Place bead of caulk along top edge of vanity base.

Lower down slowly while back edge of top rests on back of vanity.

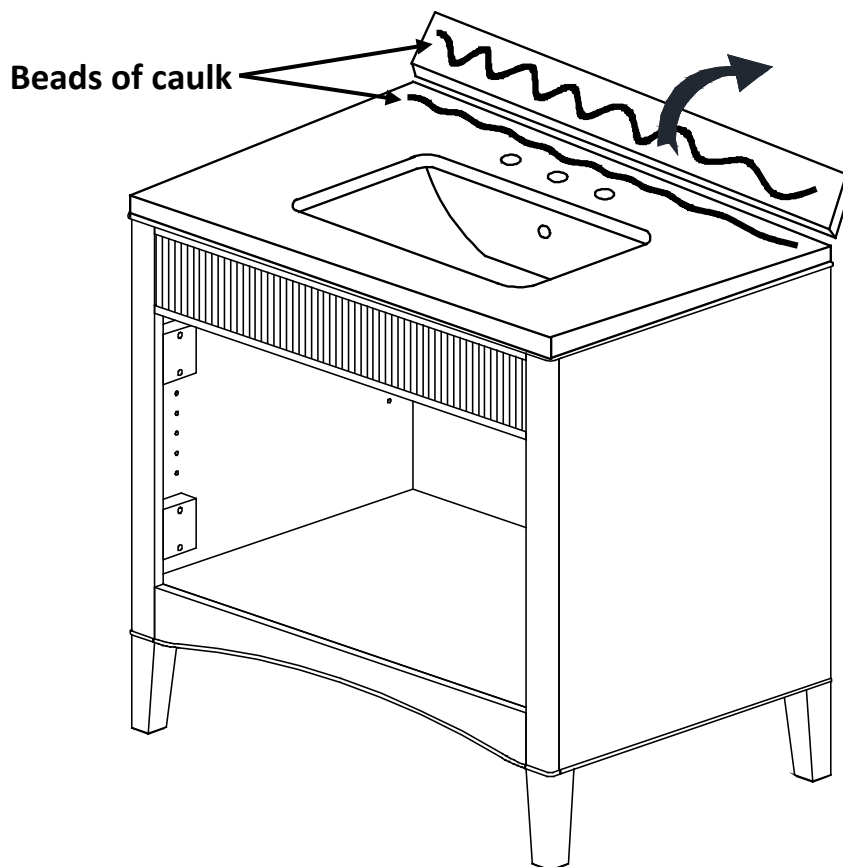
Push back against wall and align overhang side to side.

TWO PEOPLE REQUIRED !



INSTALL BACKSPLASH

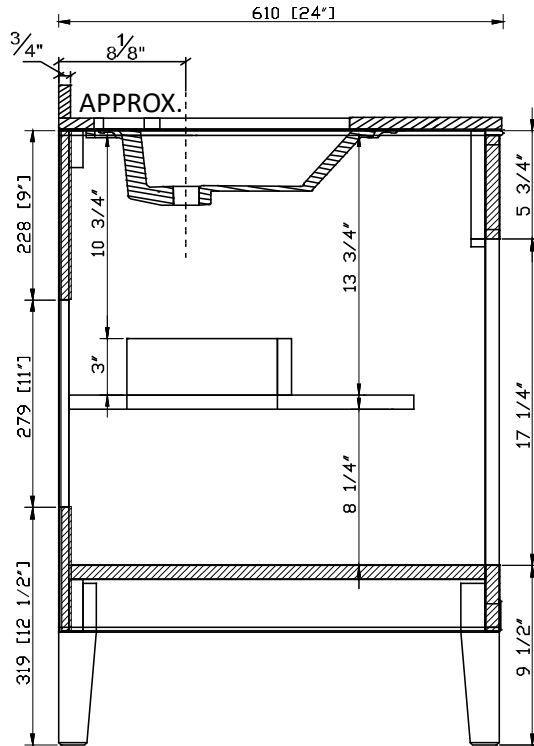
- Apply a bead of caulk at the back of the top and BACK of the backsplash.
- Press against wall and align evenly side to side.
- Hold in place with blue painter's tape until caulk cures.



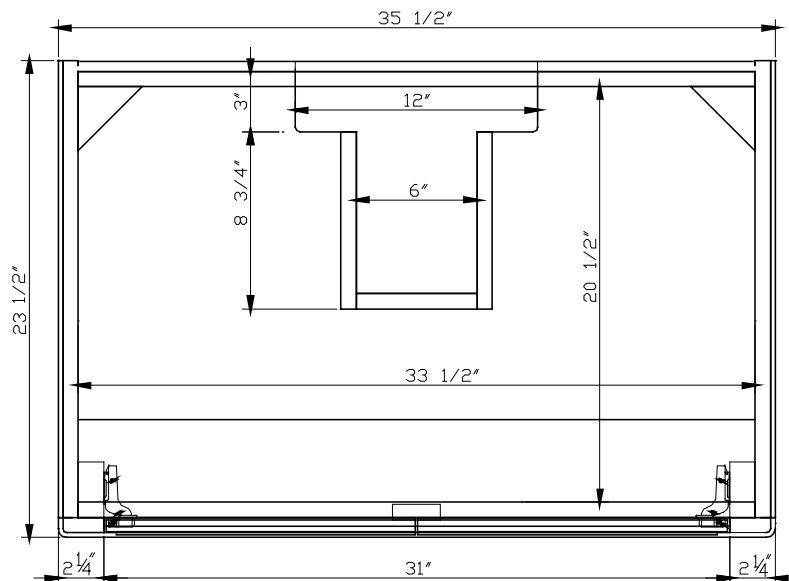
CONNECT FAUCETS AND PLUMBING

Keep these clearances in mind when routing plumbing

SECTION VIEW LOOKING FROM SIDE

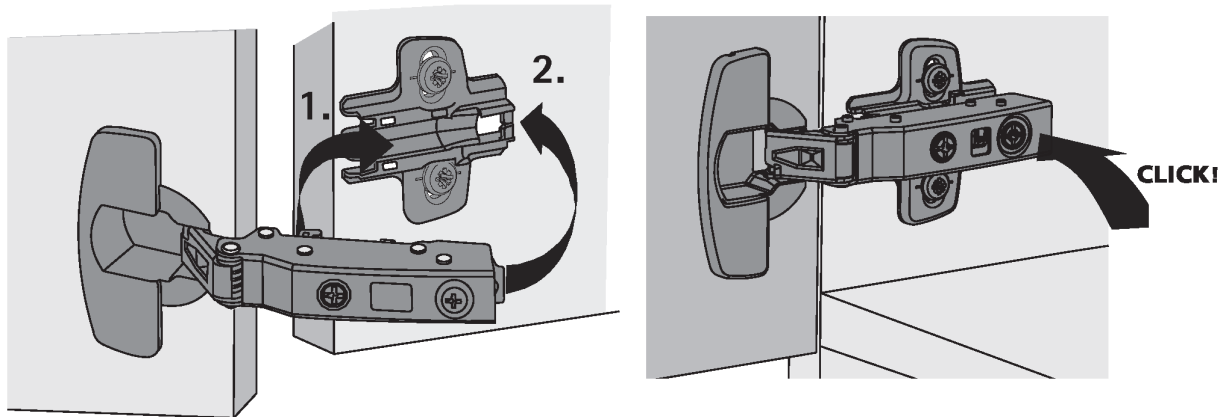


SECTION VIEW LOOKING FROM TOP



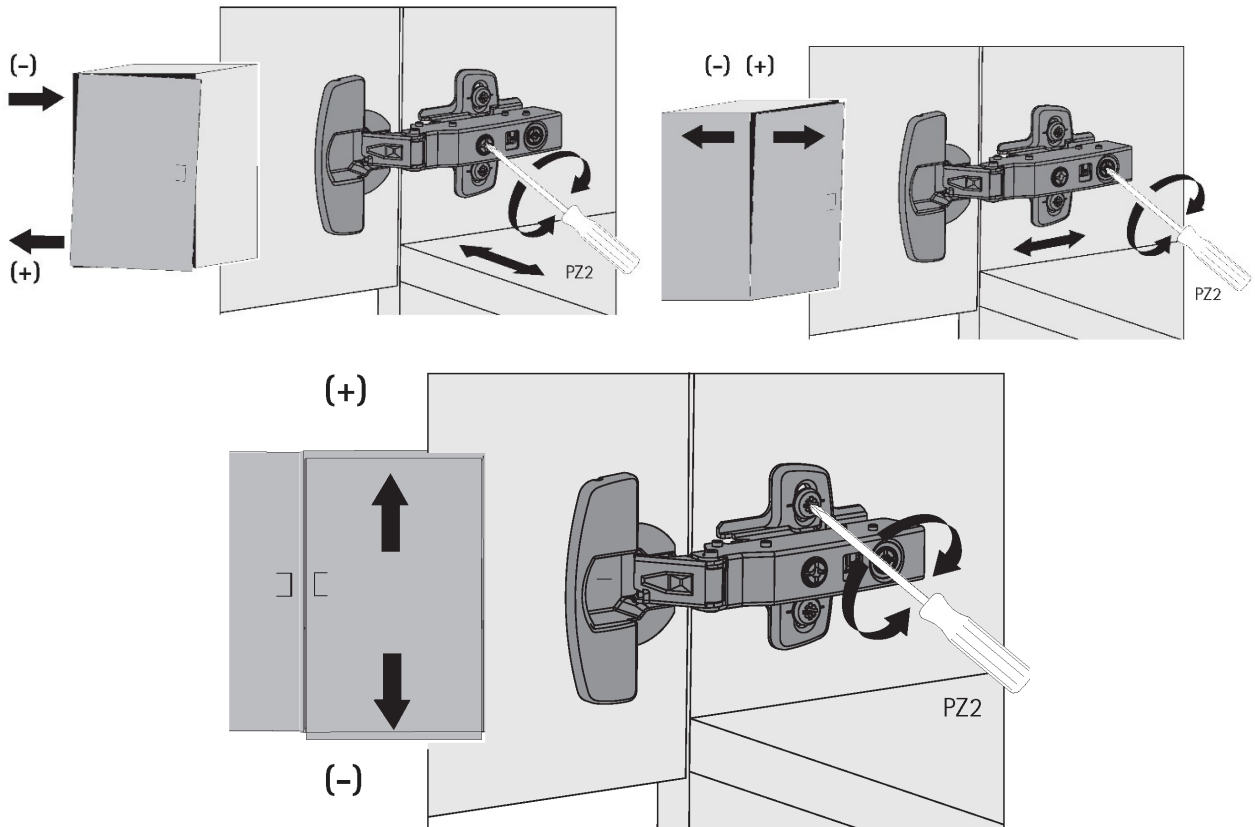
REINSTALL DOORS

Make sure doors go back to original location

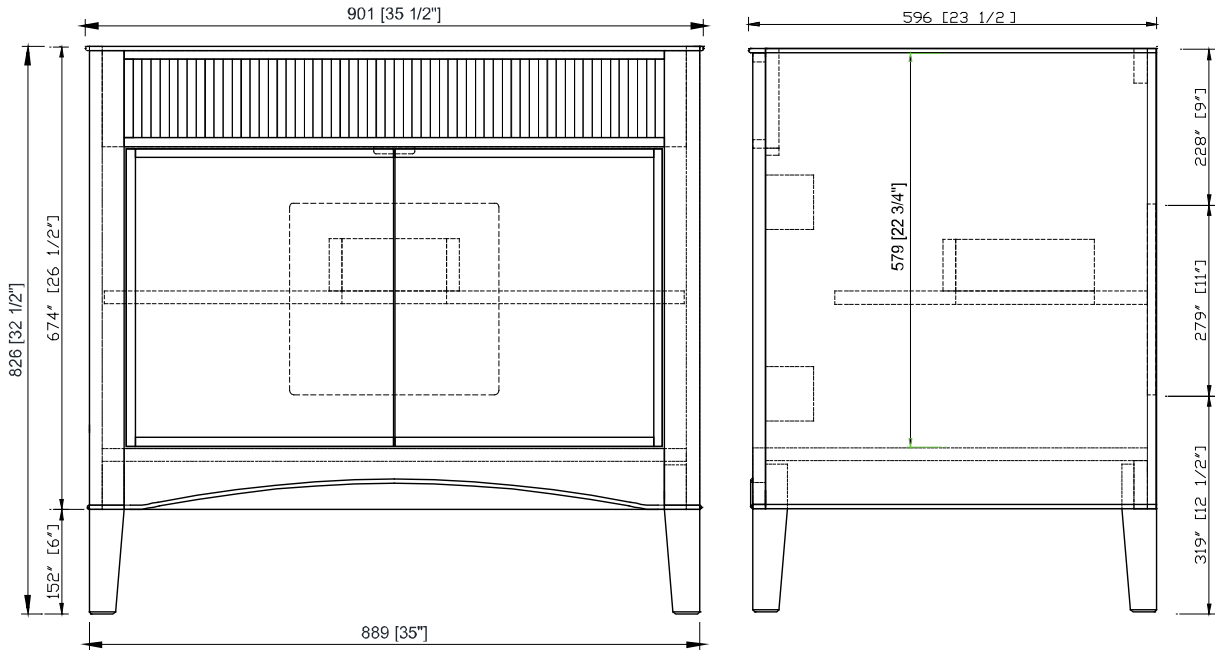


ADJUST DOORS

to create even gaps around them if necessary



DIMENSIONS



BACK PLUMBING ACCESS CUTOUTS

Back is 1/2" thick plywood

