



# K55-100(SQ)/101(SQ)/102(SQ)/103(SQ)

California Faucets®

## Kitchen/Prep Pull-Down Faucet Installation Instructions

**CALIFORNIA FAUCETS RECOMMENDS THAT ALL PLUMBING PRODUCTS BE INSTALLED BY A LICENSED PROFESSIONAL**

**IMPORTANT: Read all instructions prior to installation and provide copy of instructions to consumer.**

### Operating Specifications:

Recommended Supply Pressure: 20 to 70 psi\*†

\* Operating pressures between hot and cold supplies should vary no more than 30 psi.

† If water pressure exceeds 70 psi, install a Pressure-Reducing Valve (PRV).

### I

### INSTALLING TO SINK/DECK

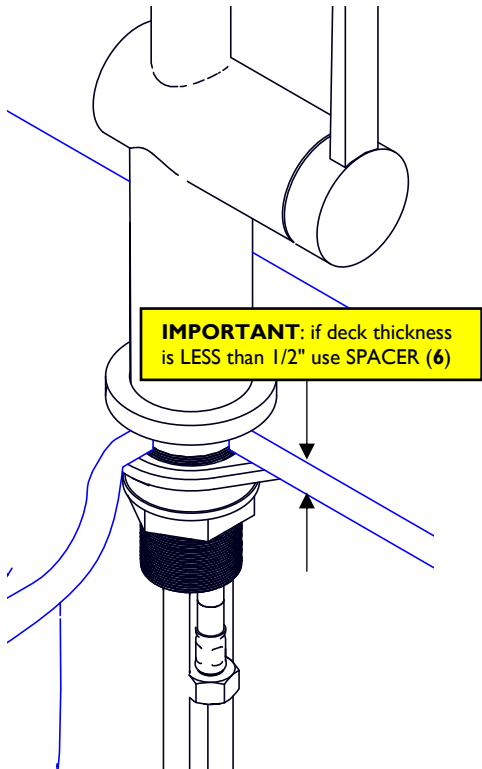
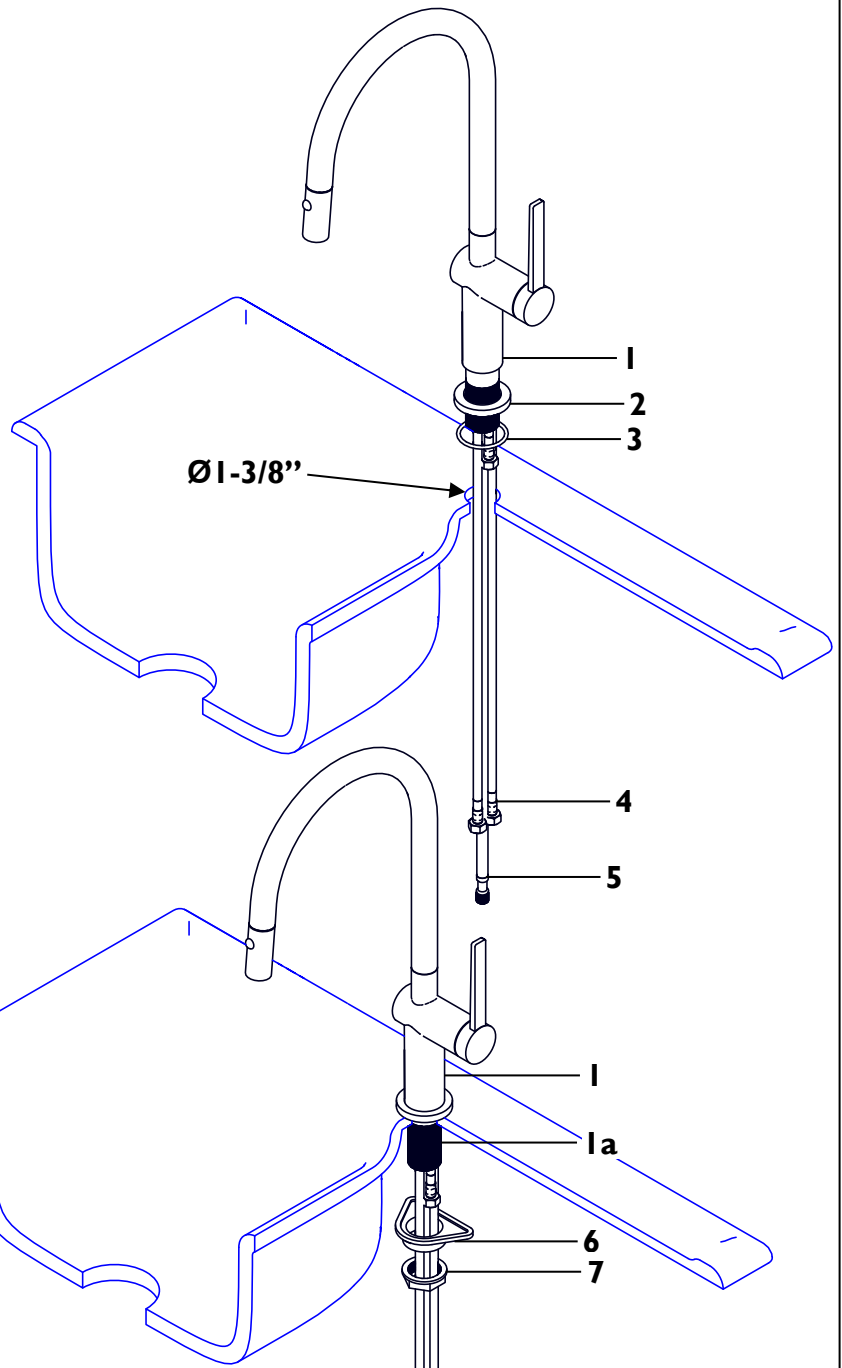
- Place BASE (2) with O-RING (3) onto BODY (1)
- Slide INLET HOSES (4) and SPRAY-HOSE (5) through sink/deck hole

**NOTE:** Sink/deck recommended hole size is  $\varnothing 1-3/8"$

- From underside slide SPACER (6), if necessary, and NUT (7) onto SHANK (1a); loosely tighten NUT (7)

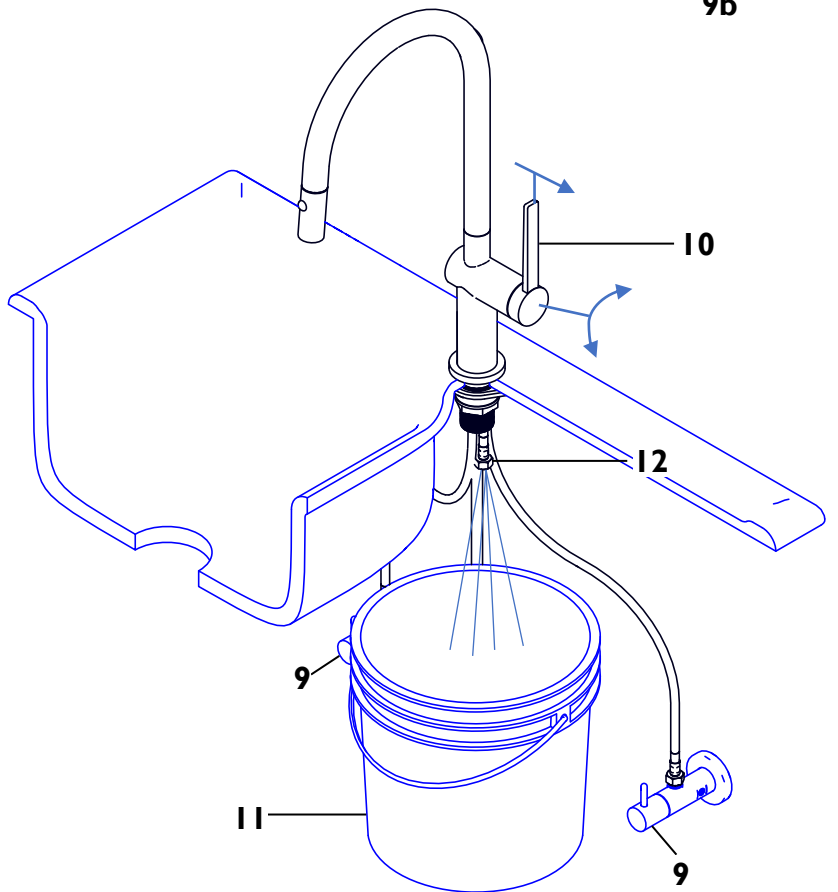
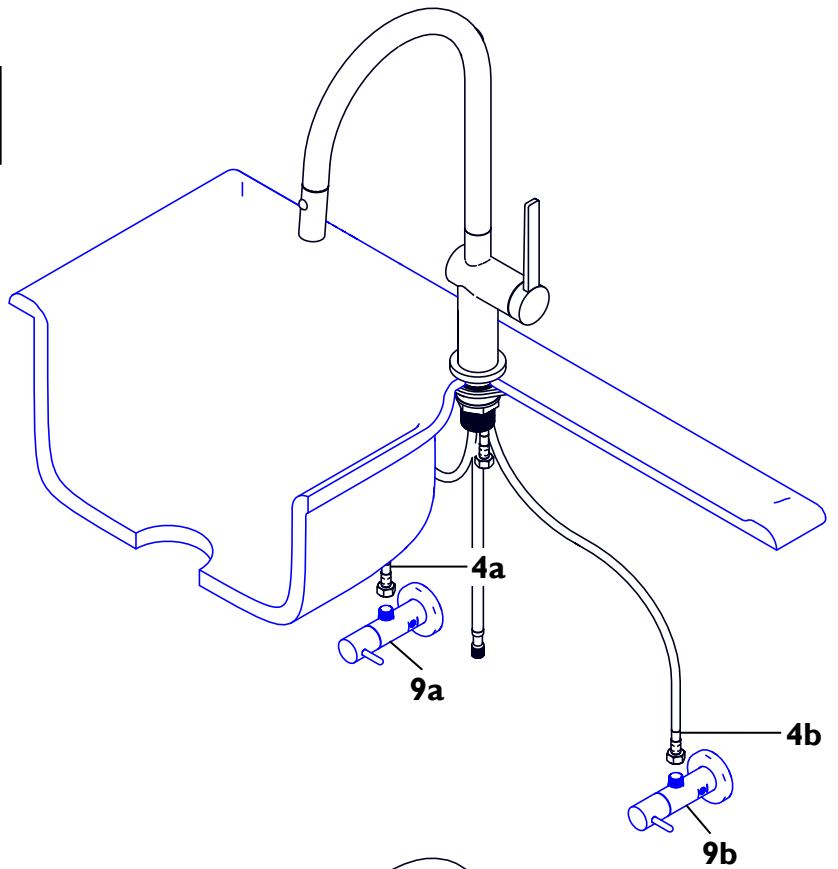
**IMPORTANT:** if deck thickness is LESS than 1/2" use SPACER (6)

- Position BODY (1) with handle on right side and securely tighten NUT (7)



**IMPORTANT:** Water supplies MUST be flushed before running water through SPRAYHEAD (8); the following procedure will ensure debris removal

- Tighten red colored nut on HOT INLET HOSE (4a) to HOT SUPPLY (9a)
- Tighten blue colored nut on COLD INLET HOSE (4b) to COLD SUPPLY (9b)
- Ensure that faucet HANDLE (10) is in closed position as shown (straight up)
- Turn on **HOT** and **COLD** SUPPLY VALVES (9)
- Place BUCKET (11) (not supplied) under MIX HOSE (12)
- Slowly open HANDLE (10) on faucet and cycle through cold and hot water until water runs clear



### 3

## FINAL CONNECTIONS

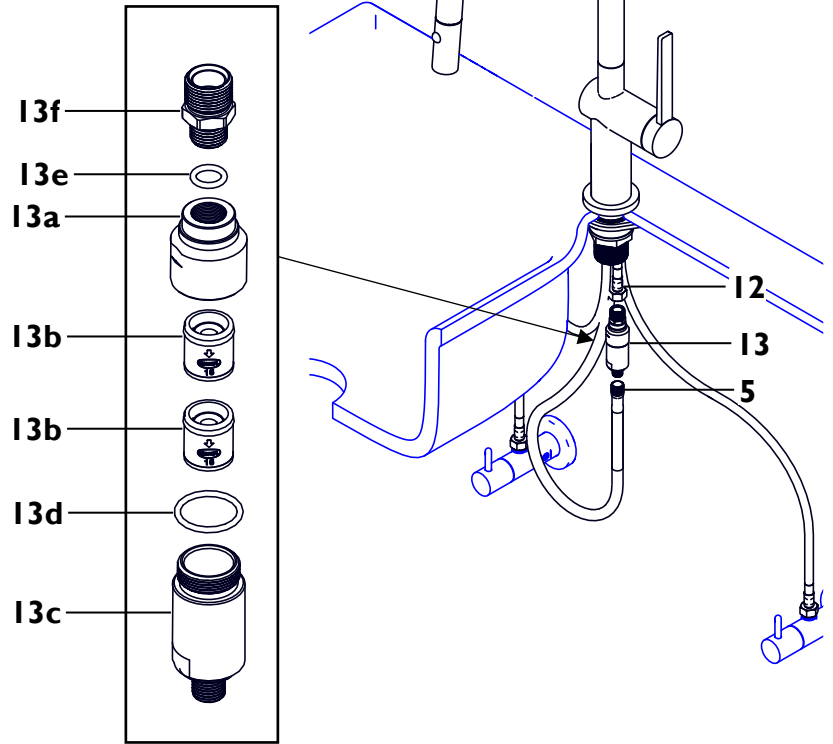
- Tighten CHECK ASSEMBLY (13) onto end of MIX HOSE (12)
- Attach SPRAY-HOSE (5) onto end of CHECK ASSEMBLY (13)

### CHECK ASSEMBLY MAINTENANCE

- Disconnect CHECK ASSEMBLY (13) from SPRAY-HOSE and MIX HOSE (12)
- Unscrew UPPER HOUSING (13a), remove both CHECK VALVES (13b) by gently pushing through hole in LOWER HOUSING (13c)
- Rinse both CHECK VALVES (13b) with clean water
- Assemble CHECK VALVES (13b) into LOWER HOUSING (13c) using plumbers grease on orings as needed

**IMPORTANT:** Both CHECK VALVES (13b) must be orientated in LOWER HOUSING (13c) as shown.

- Apply thin film of plumber's grease to HOUSING O-RING (13d) and tighten UPPER HOUSING (13a) onto LOWER HOUSING (13c)
- Attach CHECK ASSEMBLY (13) to MIX HOSE (12)



### 4

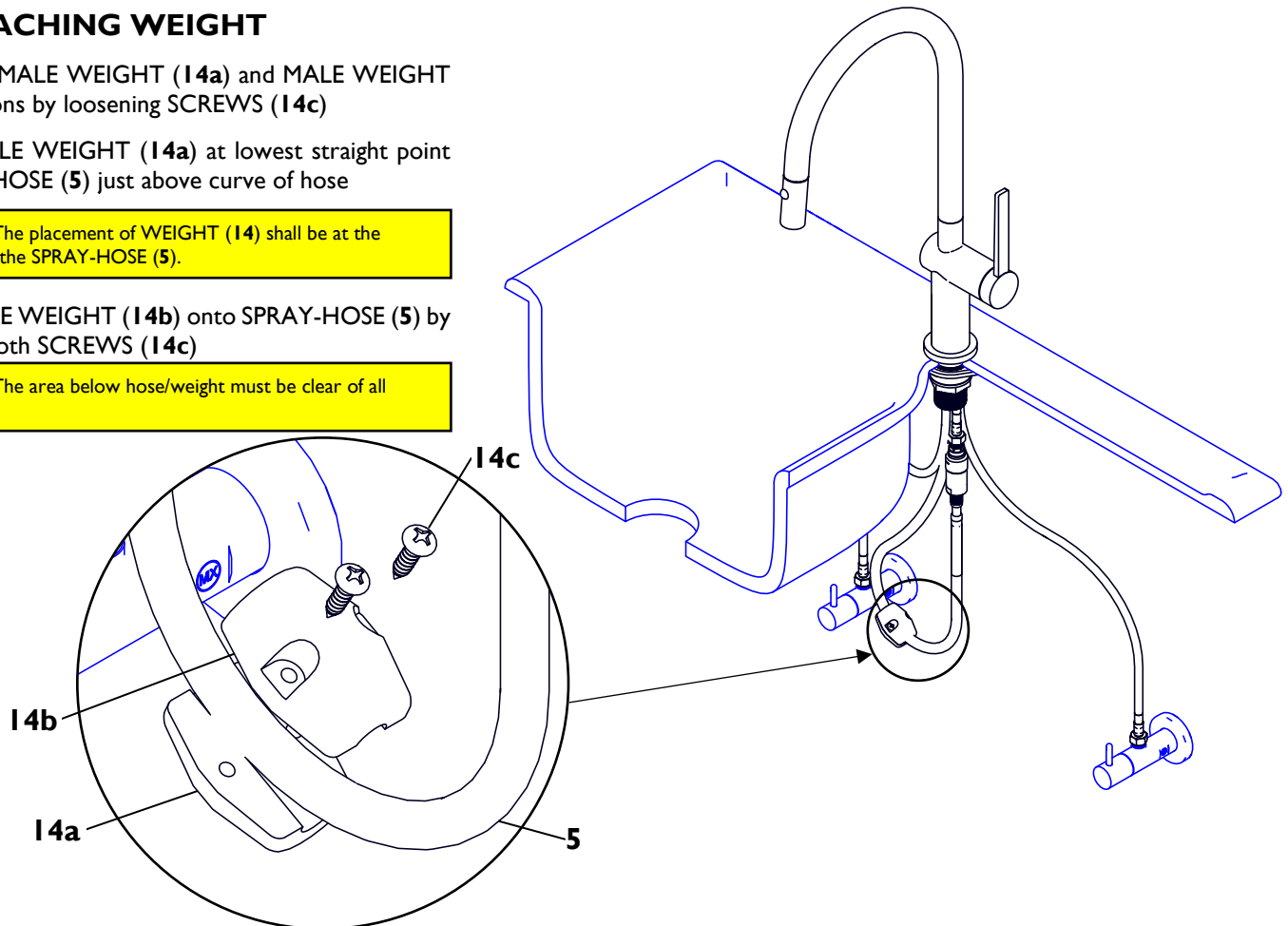
## ATTACHING WEIGHT

- Separate FEMALE WEIGHT (14a) and MALE WEIGHT (14b) sections by loosening SCREWS (14c)
- Place FEMALE WEIGHT (14a) at lowest straight point on SPRAY-HOSE (5) just above curve of hose

**IMPORTANT:** The placement of WEIGHT (14) shall be at the lowest portion of the SPRAY-HOSE (5).

- Secure MALE WEIGHT (14b) onto SPRAY-HOSE (5) by tightening both SCREWS (14c)

**IMPORTANT:** The area below hose/weight must be clear of all items.



SPRAYHEAD - BUTTON

- Place drain strainer or towel in sink drain to prevent parts from falling down the drain
- Use KEY (15) to remove retaining RING (8a) and SPRAY-FACE (8b)

**IMPORTANT:** Once SPRAY-FACE (8b) is removed **DO NOT** operate water through SPRAYHEAD (8) as internal damage may be done to SPRAYHEAD (8)

- Rinse all parts with clean water to remove debris
- Replace all parts in opposite order as described above

SPRAYHEAD - SQUEEZE

- Place drain strainer or towel in sink drain to prevent parts from falling down the drain
- Use WRENCH (18) to remove decorative TIP (16a), aerator INSERT (16b) and WASHER (16c)
- Use HEX KEY (17) to remove SPRAY-FACE (16d)

**IMPORTANT:** Once SPRAY-FACE (16d) is removed **DO NOT** operate water through SPRAYHEAD (16) as internal damage may be done to SPRAYHEAD (16)

- Rinse all parts with clean water to remove debris
- Replace all parts in opposite order as described above

CARTRIDGE

- Turn off **HOT** and **COLD** supply stops
- Remove SETSCREW (10a) from HANDLE (10)
- Slide HANDLE (10) off CARTRIDGE (18)
- Remove BONNET (19), PACKING NUT (20), and slide CARTRIDGE (18) out
- Rinse CARTRIDGE (18) with clean water to remove debris
- Replace CARTRIDGE (18) and secure with PACKING NUT (20) torqued to 70-90 lb-in

**IMPORTANT:** Over tightening PACKING NUT (20) will cause damage to CARTRIDGE (18). Under tightening PACKING NUT (20) will cause CARTRIDGE (18) to leak.

- Replace remaining parts in opposite order as described above

