

LADD DOUBLE TOILET PAPER HOLDER

CALIFORNIA PROPOSITION 65 WARNING: This product can expose you to chemicals including Lead which is known to the State of California to cause cancer and birth defects or other reproductive harm. For more information go to www.P65warnings.ca.gov.

PARTS INCLUDED:

1pc Set screw	2pcs Anchors for use with drywall
1pc Mounting bracket	2pcs Mounting screws for use with drywall anchors or wall studs
1pc Allen key	

The maximum load capacity for the product is 6.6 LBS

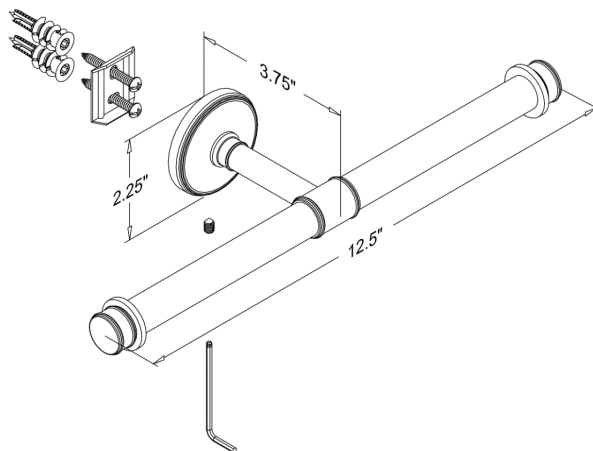
MOUNTING INSTRUCTIONS FOR TYPICAL DRYWALL and WOOD STUD APPLICATIONS

Note: Consult your local hardware store for proper mounting to other wall materials.

Tools Required: Phillips screwdriver, Pencil.

Tools (Optional but suggested): 3/16" [5mm] diameter drill bit, drill and stud finder.

1. Determine the desired location, and mark the location of mounting screw holes using the mounting bracket as template. Use stud finder to locate studs.
2. If one or more of the screw hole locations has a stud, use the screws supplied but do NOT use the plastic drywall anchors. If mounting location does NOT have a stud, pre-drill sheet rock with 3/16" diameter drill bit to ease installation of drywall anchor.
3. Use a Phillips screwdriver to insert the wall anchors. Do not "push" or pound the anchors into the wall, it is designed to bore into the wall like a screw. **Slowly** turn the anchors clockwise while applying pressure until the flange of the drywall anchor is flush with the wall.
4. Use the two supplied screws to secure mounting bracket to wall.
5. Slide the product over bracket and secure it with the set screw using the supplied Allen Key.



CARE INSTRUCTIONS

1. Dust often using a clean, soft, dry, and lint-free cloth.
2. We do not recommend the use of chemical cleansers, abrasives, or furniture polish on our lacquered finish.
3. Hardware may loosen over time. Periodically check to make sure all connections are tight. Re-tighten if necessary.