

# REJUVENATION

## Owner's Manual Lirico Toilet

### Features:

- Porcelain elongated one-piece toilet
- Floor-standing installation
- Includes mounting hardware
- Siphonic single flush system (1.28 gpf)
- Soft-closing seat cover and tank are included
- Meets and exceeds the following standards/codes:
  - ASME A112.19.2-2013/CSA B45.1-13/ASME A112.19.14-2013
  - EPA's WaterSense Specification for Tank-Type Toilets



### Table of Contents/Contenido:

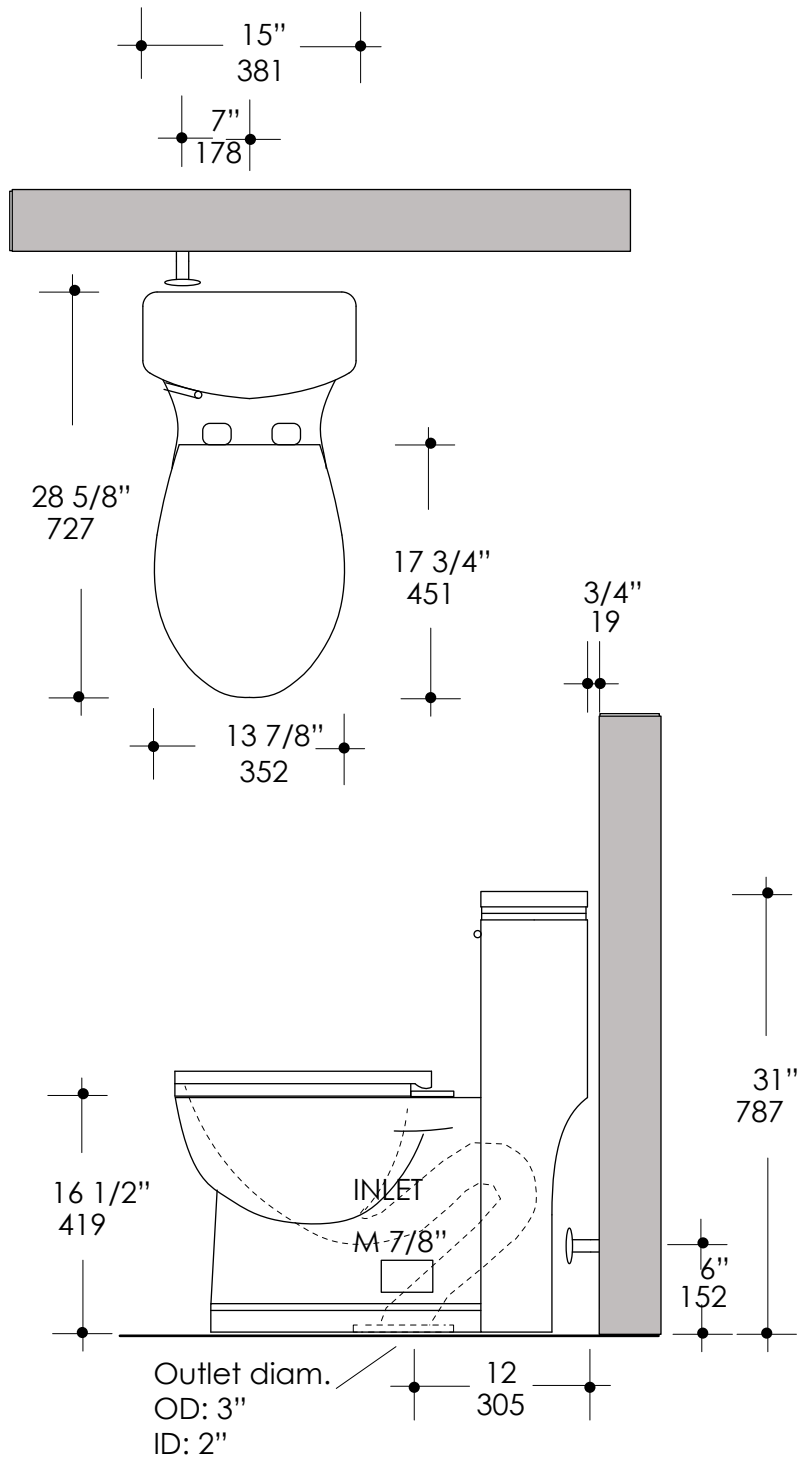
Page 2: Product Specifications/Especificaciones de Producto

Page 3: Parts Breakdown/Desglosamiento de Partes

Page 4, 5, 6: Installation Instructions/Instrucciones de Instalación

Page 7 : Cleaning & Care/Cuidado y Limpieza

# Product Specifications/Especificaciones de Producto



Note:  
Drawings provided herein are meant to give the user an idea of the product and are not made to scale. The sizes in inches are rounded up to the nearest 1/16.

Nota:  
Los planos proporcionados en este documento tienen el propósito de dar al usuario una idea del producto y no están hechos a escala. Los tamaños de pulgadas se redondean al más cercano 1 / 16.

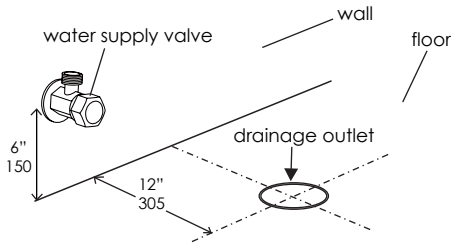
# Parts Breakdown/Desglosamiento de Partes



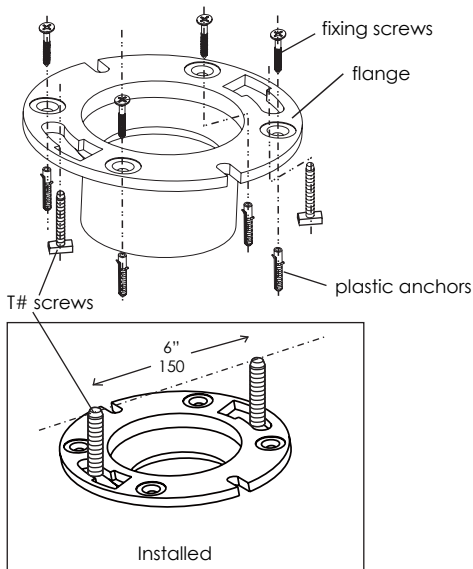
# Installation Instructions/Instrucciones de Instalación

## Toilet Installation

1. Install the water supply and drainage outlet as marked.  
Tile and seal the floor to prevent chemical reaction and damage to the porcelain of the toilet.

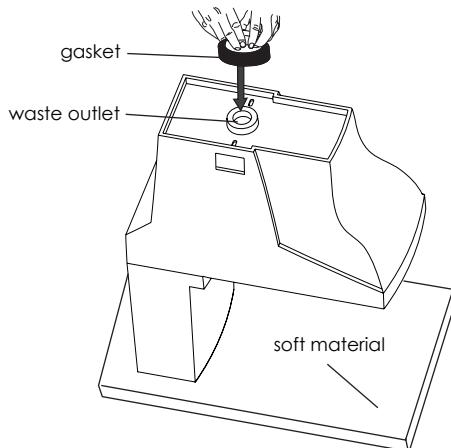


2. Align the flange with the drainage outlet and mark the location of the screws, drill pilot holes, insert anchors. Then, after inserting the two T# screws from the bottom of the flange into their position, attach the flange onto the floor over the drainage outlet.

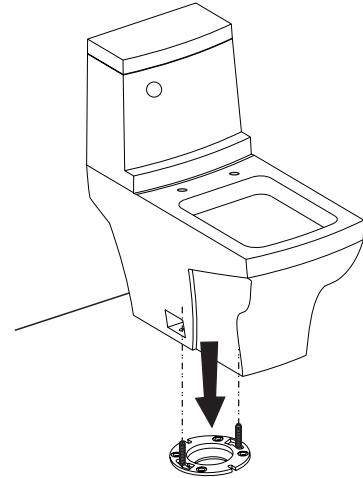


**TIP: Install the toilet seat hinges on the bowl before outfitting it with the sealing gasket and setting it on the floor flange.**

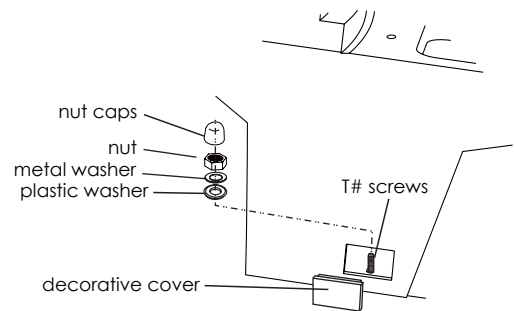
3. Turn the toilet bowl upside down on a soft material to prevent damage or scratches, and apply the sealing gasket (e.g. wax ring) onto the water outlet tightly, make sure the waste pipe is not obstructed.



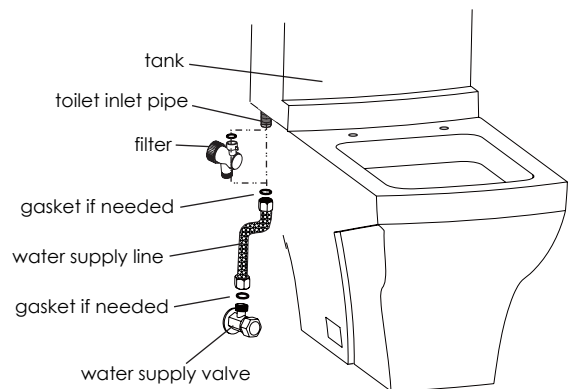
4. Holding the toilet up (2 people are recommended), align the toilet over the flange, slide the T# screws to align with the installation holes in the toilet base. Then seat the product down and press firmly until it's flat on the floor and the sealing gasket is engaged. If the toilet is lifted again, the wax ring must be replaced with a new one to ensure a proper seal.



5. Affix the nut set onto the T# screws as shown, first by hand, then tighten with a wrench until firm. NOTE: Do not over-tighten to prevent damage to porcelain. Cover the nut sets with the decorative caps and cover.



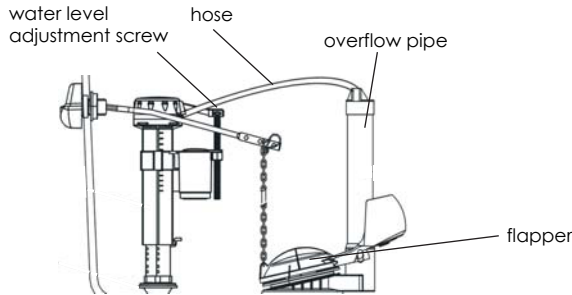
6. Attached the water supply line between the toilet and the water supply valve. (If filter needed, it should be attached to the toilet inlet pipe first.) Turn on the water supply and check for any leaks.



# Installation Instructions/Instrucciones de Instalación

## Flush System Installation/Adjustment

7. Open the tank cover and make sure the hose is inserted into the overflow pipe. NOTE: The flushing water will be inadequate if the hose is not inserted into the overflow pipe. If necessary, adjust the water level to the proper height by manipulating the water level adjustment screw and the floater positioning. Install the lever kit and attach the chain to proper height for operating the flapper.



8. Apply a bid of silicone around the toilet base, then proceed to installing the toilet seat with cover.



### TROUBLESHOOTING

Problem	Reason	Solution
No incoming water	<ol style="list-style-type: none"> <li>1. The main water valve is not open</li> <li>2. Water filter is clogged</li> <li>3. Floater on the fill valve is not working</li> </ol>	<ol style="list-style-type: none"> <li>1. Turn the valve on</li> <li>2. Clean the filter</li> <li>3. Adjust the floater</li> </ol>
Constant incoming water	<ol style="list-style-type: none"> <li>1. High water pressure</li> <li>2. Floater on the fill valve is not working</li> <li>3. Floater on the fill valve touches the tank wall</li> <li>4. Water fill valve is broken</li> </ol>	<ol style="list-style-type: none"> <li>1. Adjust water pressure to max 43.5 PSI</li> <li>2. Adjust the floater</li> <li>3. Adjust the direction of the floater</li> <li>4. Replace the fill valve</li> </ol>
Inadequate flushing water	<ol style="list-style-type: none"> <li>1. The water level is too low</li> <li>2. The flapper does not open enough</li> <li>3. Floater on the fill valve touches the tank wall</li> <li>4. Water fill valve is broken</li> </ol>	<ol style="list-style-type: none"> <li>1. Adjust water level</li> <li>2. Adjust the chain to lift the flapper more</li> <li>3. Adjust the direction of the floater</li> <li>4. Replace the fill valve</li> </ol>
Slow drainage	<ol style="list-style-type: none"> <li>1. Inadequate flushing water</li> <li>2. Drainage pipes are clogged</li> <li>3. The drainage is not aligned with the pipes</li> </ol>	<ol style="list-style-type: none"> <li>1. Troubleshoot inadequate flushing water steps</li> <li>2. Clean the drainage pipes</li> <li>3. Reinstall the toilet</li> </ol>
Leakage	<ol style="list-style-type: none"> <li>1. Leak on the fill valve</li> <li>2. Leak on the water supply line</li> </ol>	<ol style="list-style-type: none"> <li>1. Fasten the nuts on the underside of the toilet tank</li> <li>2. Fasten nuts on all connections or replace the washers</li> </ol>

### WARNINGS:

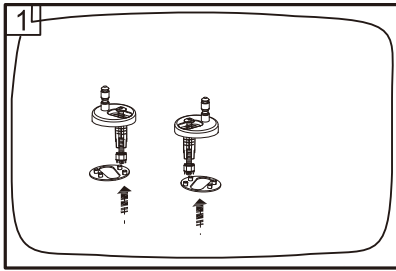
- Do not dispose in the toilet papers and items that might obstruct the draining pipes.
- Do not hit the toilet with any hard objects as this will damage the porcelain.
- Clean the toilet with nylon brush and toilet cleaner at least once a week to prevent mineral deposits from building up.
- If filter installed on the water inlet pipe, clean it at least once a month to ensure proper water flow.
- Do not use cleaners in the toilet tank, as this will compromise the rubber and plastic elements and cause leaks or malfunction.

### SEAT AND COVER

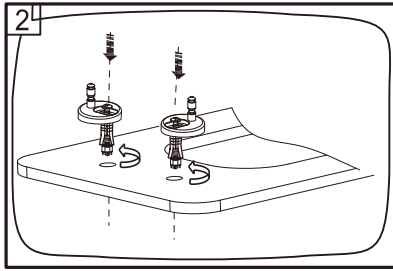
- Do not expose the seat and cover to direct sunlight and direct heat sources; it will cause discoloration and warping.
- Do not use steel brush or sharp objects on the seat and cover; it will cause scratches and damage.
- Do not use staining or corrosive chemicals to clean the seat and cover.
- Do not put hard and heavy objects on the cover; it will cause cracks or damage.
- Do not force the seat to close faster than the soft-closing mechanism allows to ensure lasting functionality.

# Installation Instructions/Instrucciones de Instalación

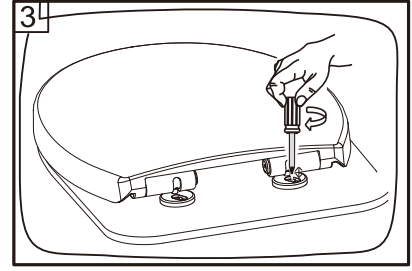
## Seat Installation/Adjustment



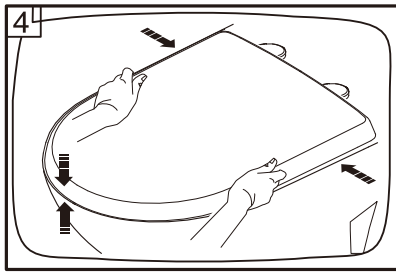
Put the clear plastic washers on the underside of preassembled seat hinges - make sure they align properly and prongs are inserted into the holes.



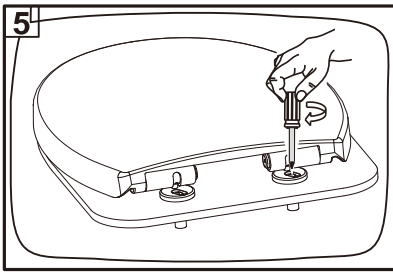
Assemble the hinges as shown and thread up the nuts to the bottom of expandable plastic anchors to prevent them from falling off, then insert the assemblies into the toilet deck holes.



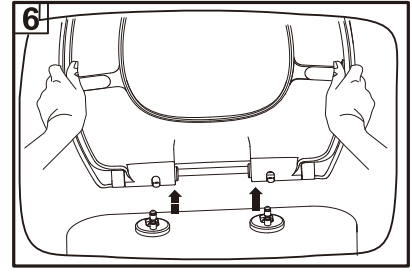
Tighten the screws until the hinges are nearly fixed, then adjust them to align with the shafts in the seat. If there is no access from the bottom of the toilet to hold the nuts, lift the hinge screw up to engage the expandable anchors to keep the nuts from spinning while securing the screw.



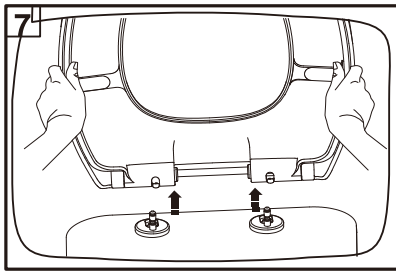
Align the toilet seat with the toilet deck



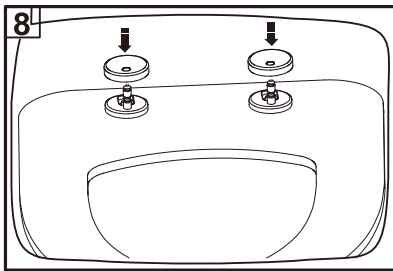
Screw the bolts securely.



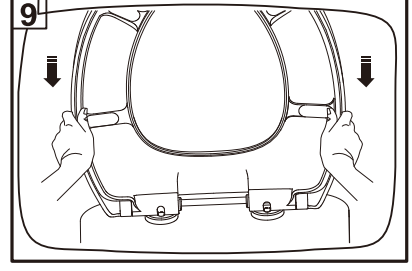
Insert the toilet seat fully into the anchors to test the alignment and operation.



Press the buttons to lift to remove the toilet seat. Make any necessary adjustments.



Put the hinge covers over the hinges.



Mount the toilet seat. Make sure the hinges are fully inserted into the holes in the seat.

### IMPORTANT:

Do not close the seat cover by force; it will compromise the soft-closing operation of the fixture.

# Cleaning and Care

For best results, please care for this product in accordance with the following instructions:

- Only use warm water and a mild detergent (i.e. dishwashing soap) for cleaning.
- If another cleaner is used, check the label to make sure that it is safe for use on the material being cleaned and always test in an inconspicuous area first.
- Make sure to wipe any excess cleaners off with a damp sponge or cloth and then rinse with water.
- Dry the surface with a soft cloth until dry after each use.
- Never use abrasive materials or cleaners that contain ammonia, bleach or acid, since they can cause damage to the finished surface.

*We would like to thank you for your purchase and are confident that you will be able to enjoy our products for many years to come!*

# Cuidado y Limpieza

Para mejores resultados, por favor cuide des este producto de acuerdo con las siguientes instrucciones:

- Sólo utilice agua tibia y un detergente suave (es decir, el jabón para lavar la vajilla) para la limpieza.
- Si se utiliza otro limpiador, revise la etiqueta para asegurarse de que es seguro para el uso del material para su limpieza y siempre prueba en un área discreta primero.
- Asegúrese de limpiar cualquier exceso de productor de limpieza con una esponja o un trapo húmedo y luego enjuague con agua.
- Seque la superficie con un paño suave hasta que se seque después de cada uso.
- Nunca use materiales abrasivos o productos de limpieza que contienen amoníaco, lejía o ácido, ya que pueden causar daños a la superficie acabada.

*¡Nos gustaría darle las gracias por su compra y estamos seguros que usted podrá disfrutar de nuestros productos por muchos años!*