

**LORENZO  
60" ACRYLIC  
SLIPPER TUB**

# REJUVENATION



L: 60"  
 W: 27-1/2"  
 H: 22-1/2" - 28-1/4" (from floor to top of tub)  
 Water depth: 18" to top of tub  
 Water depth: 14-3/4" to overflow  
 Overflow slot: 3" under tub rim

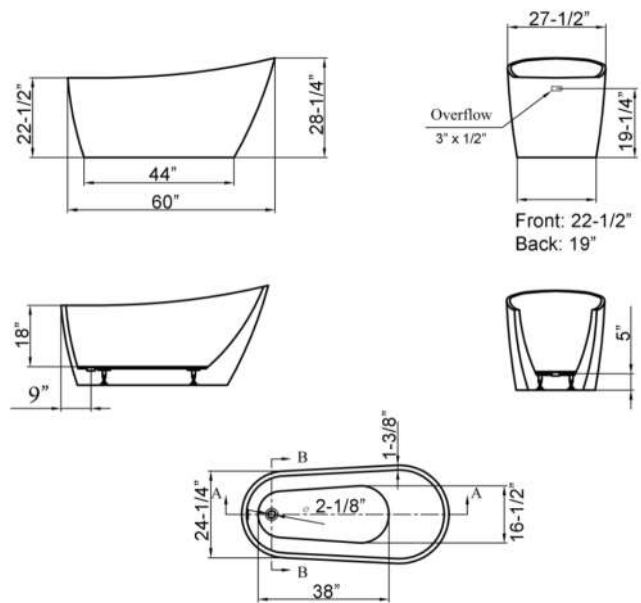
Gallon Capacity with OF: 38  
 Shipping Weight: 120 lbs.  
 Empty Weight: 60 lbs.  
 Filled Weight with OF: 378 lbs.

**Features:**

- ▶ Interior and exterior walls acrylic sheets
- ▶ Sleek contemporary design
- ▶ Overflow slot with integrated drain
- ▶ Drain and overflow covers included (available in 7 finishes)
- ▶ No faucet holes
- ▶ Angle slope of tub: 58°
- ▶ Air between sheets provides insulation to retain warmth
- ▶ Tub is thoroughly inspected before shipment

**Finishes:**

- |           |                 |           |                 |
|-----------|-----------------|-----------|-----------------|
| <b>CP</b> | Polished Chrome | <b>PB</b> | Polished Brass  |
| <b>BN</b> | Brushed Nickel  | <b>PN</b> | Polished Nickel |
| <b>WT</b> | White           | <b>MB</b> | Black           |



**Dimensions of fixture are nominal and specifications subject to change without notice.**