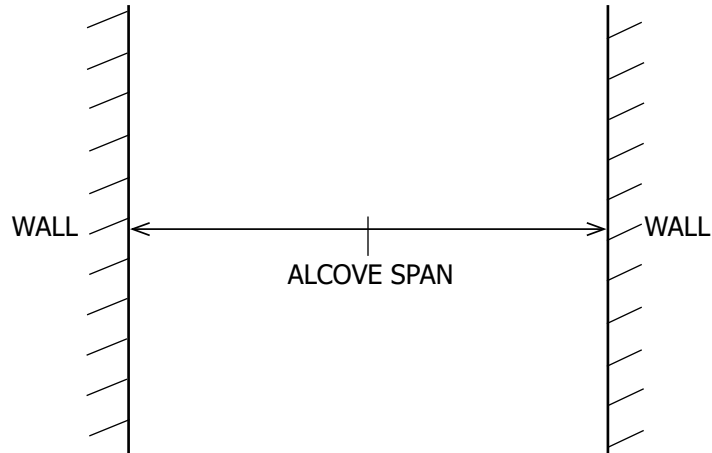
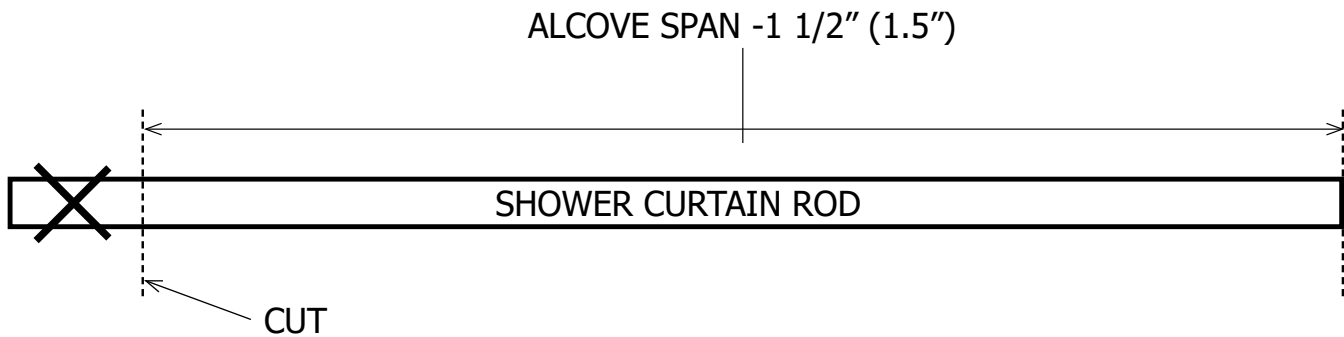


1



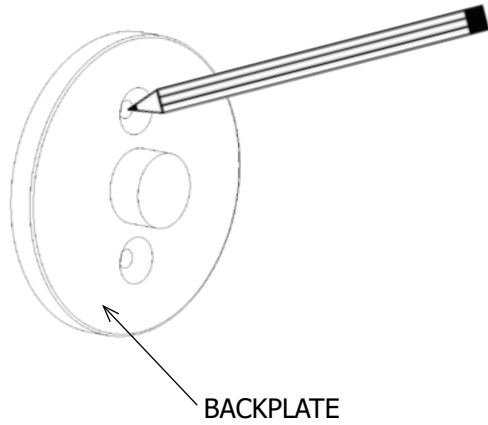
2



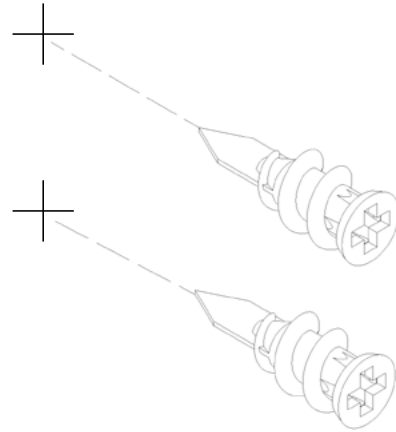
1. Measure alcove span from wall to wall as precisely as possible.
2. Cut Shower Curtain Rod to 1 1/2'' (1.5'') shorter than alcove span using a pipe cutter or hacksaw.

MODERN SHOWER CURTAIN ROD SET
ASSEMBLY INSTRUCTIONS

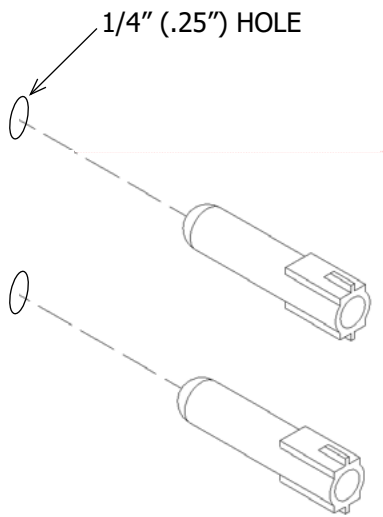
3



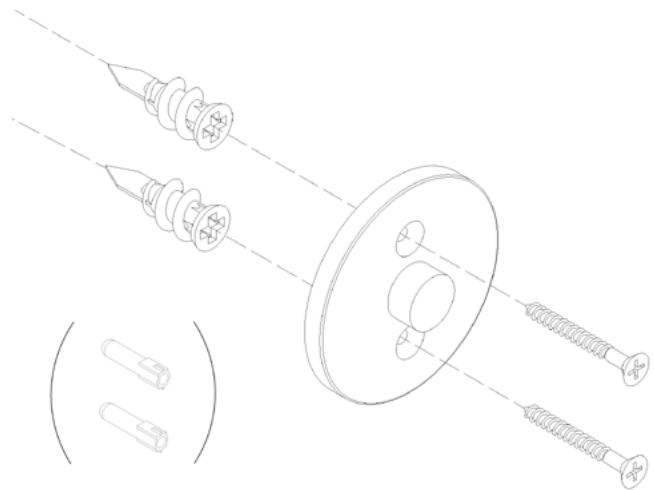
4



5



6



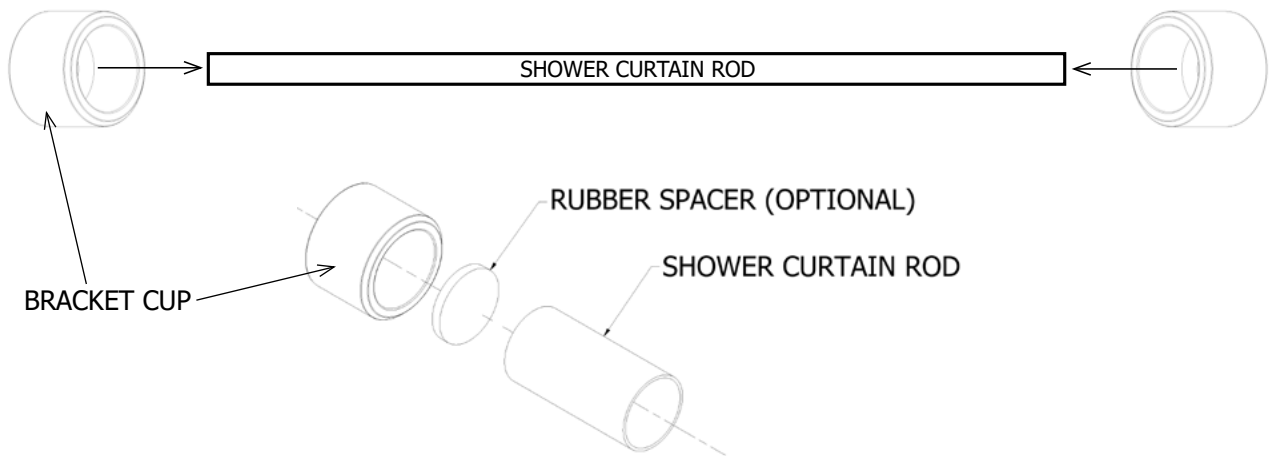
3. Mark locations for mounting anchors with Backplate held upright.

4. MOUNTING TO DRYWALL: Drive provided drywall anchors into previously marked locations (DO NOT OVERTIGHTEN)

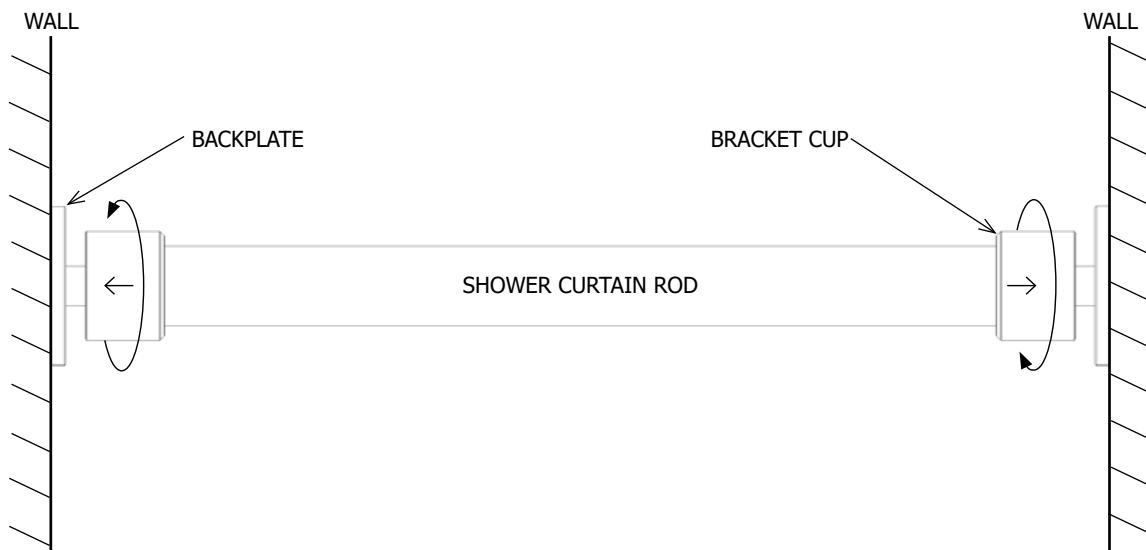
5. MOUNTING TO TILE: Predrill 1/4"(.25") holes at previously marked locations for tile anchors. Insert tile anchors into holes.

6. Secure Backplates to walls with provided screws.

7



8



7. Insert ends of Shower Curtain Rod into Bracket Cups. (Use provided rubber spacers as needed.)

8. With Shower Curtain Rod in Bracket Cups, align threaded holes in Bracket Cups with threaded posts on Backplates and thread Bracket Cups onto Backplates until they are firmly in place.