

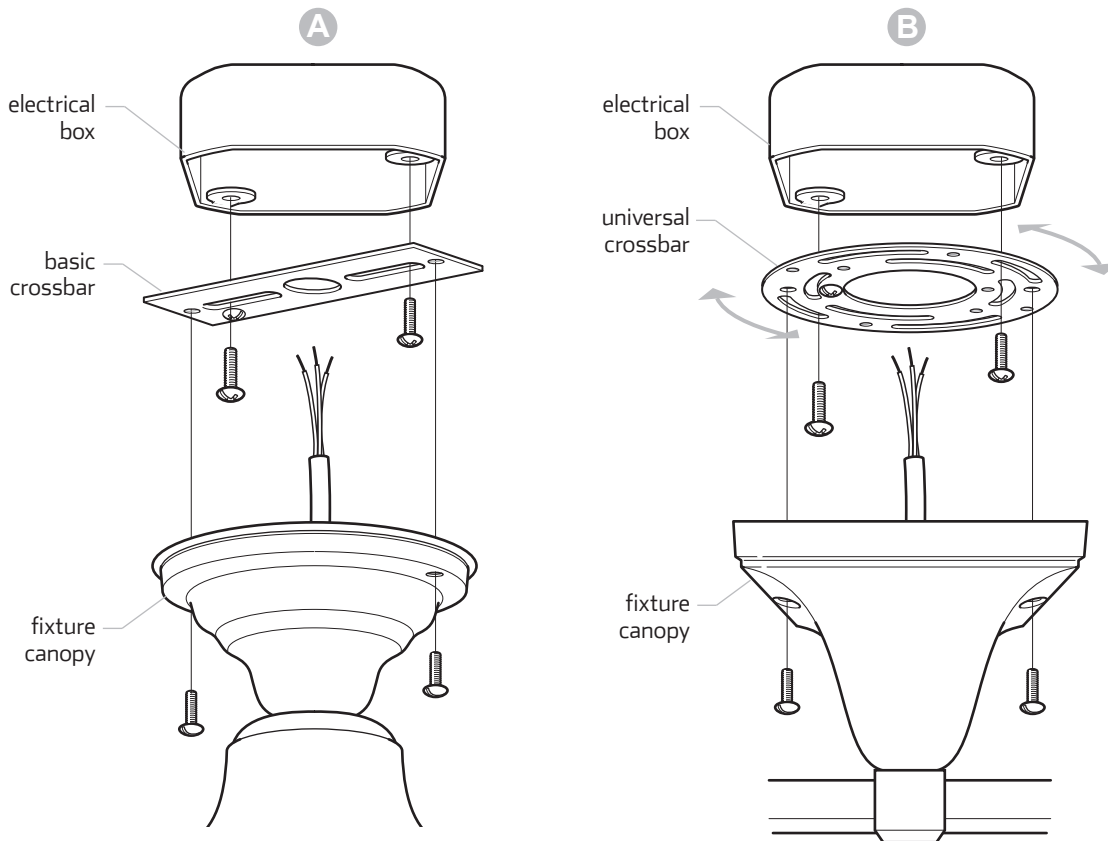
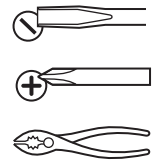
Screw Mounted Wall & Ceiling Fixtures

skill level • basic electrician

installation instructions

For a safe installation make sure that the electrical box is securely mounted to a structural member of the building.

• toolbox



1. Attach crossbar to electrical box using screws supplied with the box.
 - A Some fixtures are supplied with a basic crossbar.
 - B Other fixtures are supplied with a universal crossbar. Curved slots in universal crossbar allow fixture to be squared to the room, regardless of position of screw holes in the electrical box.
2. Make wiring connections in accordance with local electrical codes. See "Important Information" on reverse side.
3. Using the two screws supplied with the fixture, attach fixture to crossbar through holes in canopy.

Complete !

REJUVENATION®

2550 N.W. Nicolai Street, Portland Oregon 97210 Customer Service: 888 401-1900 rejuvenation.com