



California Faucets®

Miramar™

WALL LAVATORY

TO-V4802-7/9

Features

- Over 28 finishes including 13 PVD finishes
- All brass construction
- 1.2 gpm (4.5 L/min) max flow rate
- Rough valve (VL-R) sold separately

Codes/Standards

Product meets or exceeds the following:

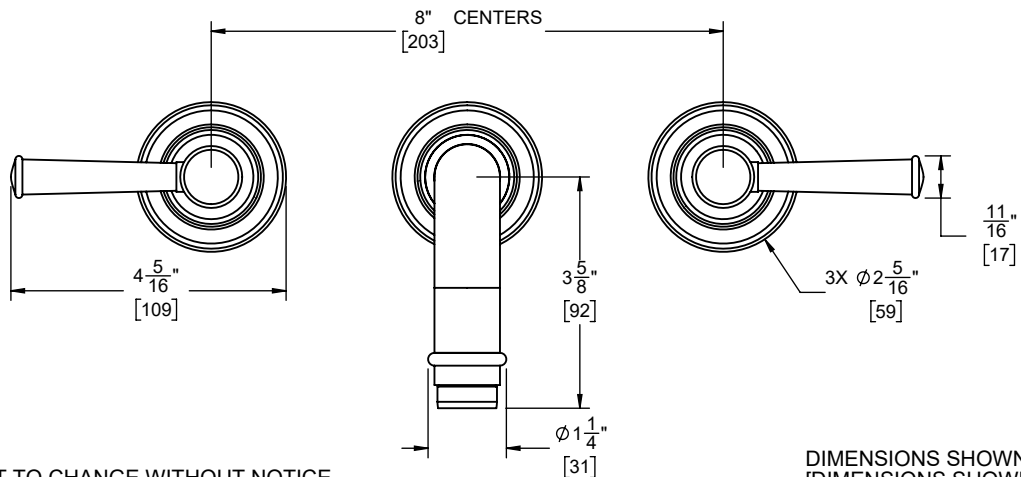
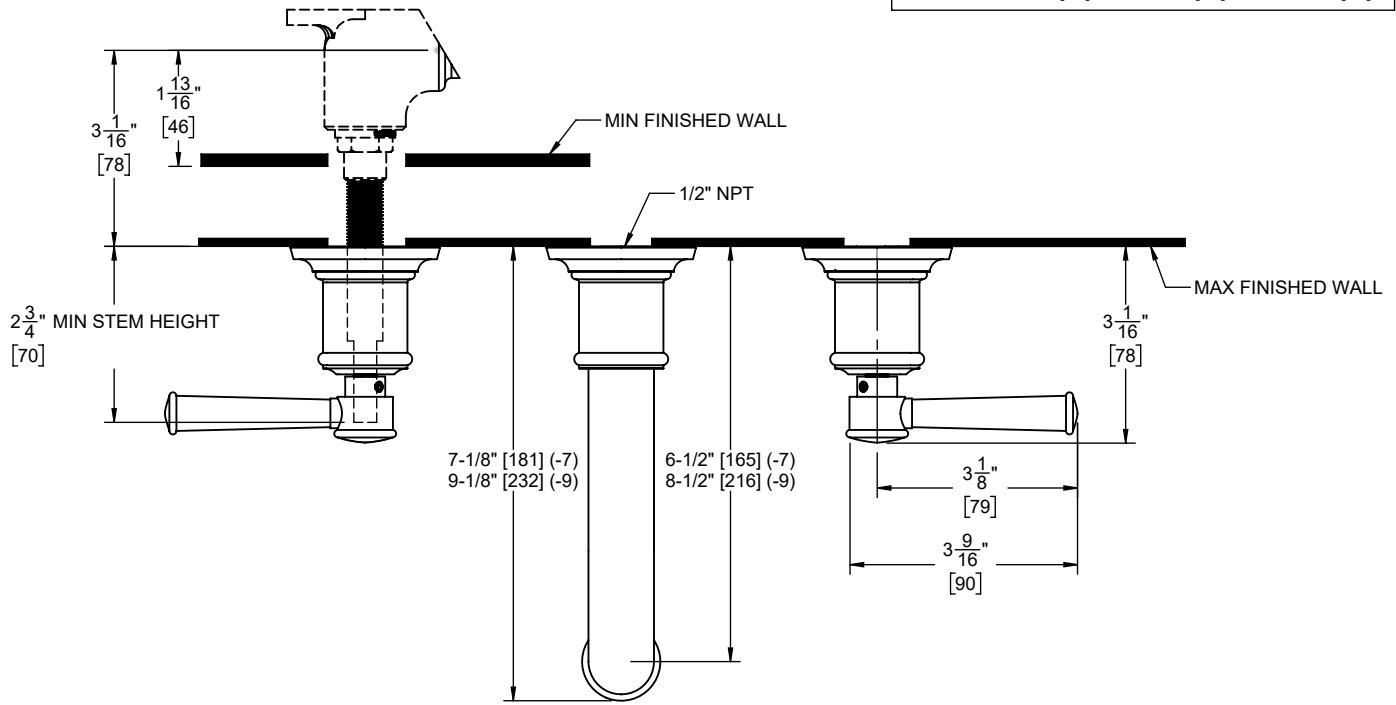
- ASME A112.18.1/CSA B125.1
- NSF/ANSI 61 & NSF/ANSI 372
- CEC & DOE
- Commonwealth of MA
- EPA WaterSense High Efficiency Lavatory
- ADA compliant



TO-V4802-7 shown



THROUGH-HOLE SPECIFICATIONS			
	MIN	RECOMMENDED	MAX
SPOUT:	Ø 1" [25]	Ø 1-1/4" [32]	Ø 1-9/16" [40]
VALVE:	Ø 1-1/4" [32]	Ø 1-1/4" [35]	Ø 1-9/16" [40]



SPECIFICATIONS SUBJECT TO CHANGE WITHOUT NOTICE

DIMENSIONS SHOWN TO NEAREST 1/16" [DIMENSIONS SHOWN TO NEAREST 1mm]



California Faucets®

# VL-R Vessel Rough Valve Installation Instructions

**CALIFORNIA FAUCETS RECOMMENDS THAT ALL PLUMBING PRODUCTS BE INSTALLED BY A LICENSED PROFESSIONAL**

**IMPORTANT: Read all instructions prior to installation and provide copy of instructions to consumer.**

### Operating Specifications:

Recommended Supply Pressure: 20 to 70 psi\*†

\* Operating pressures between hot and cold supplies should vary no more than 30 psi.

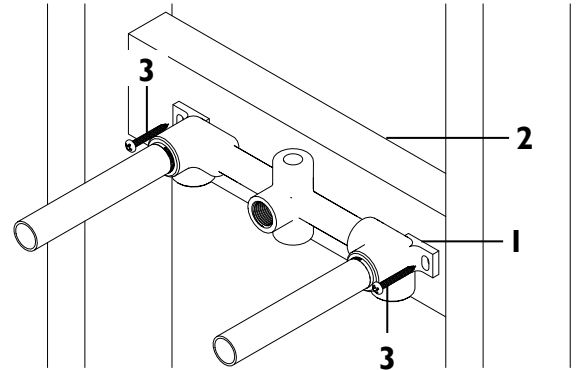
† If water pressure exceeds 70 psi, install a Pressure-Reducing Valve (PRV).

## 1 INSTALLING VALVE

- Install BRACING (2) (2x4 stud recommended) at desired height and depth

**IMPORTANT:** Refer to table in page 2 for desired depth depending on trim series dimensions, "A" and "B"

- Secure VALVE (1) to BRACING (2) using SCREW (3) (not supplied)



## 2 SUPPLY CONNECTIONS

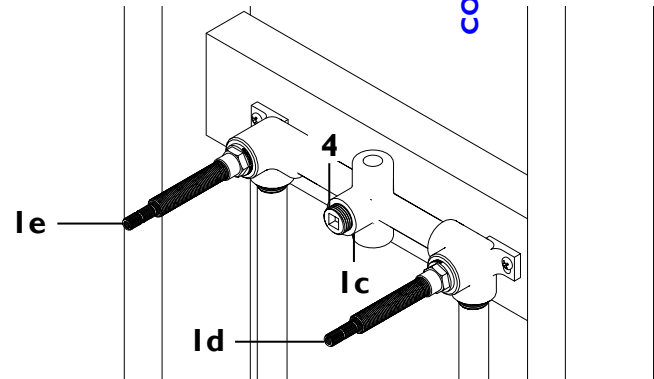
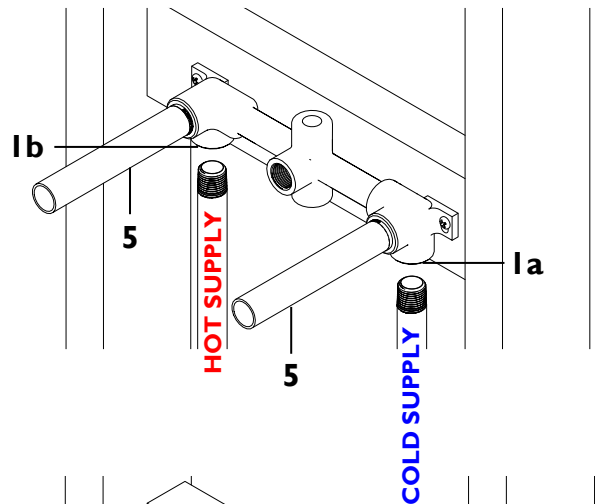
- Connect cold supply to COLD INLET (1a) and connect hot supply to HOT INLET (1b)

**NOTE:** Use thread sealant (not supplied) on all threaded connections

**IMPORTANT:** Flush supply lines prior to installation to prevent damage and malfunction of cartridge

**WARNING:** All soldering of fittings shall be performed a minimum of 4" away from VALVE (1)

- To check for leaks, install 1/2" NPT PLUG (4) (not supplied) into SPOUT OUTLET (1c)
- Turn on water supply valve
- Remove MUDGAURDS (5)
- To "open" valve, turn STEM (1d) counterclockwise (CCW) for cold supply and STEM (1e) clockwise (CW) for hot supply
- Check all connections for leaks
- Give these instructions to consumer for safe keeping



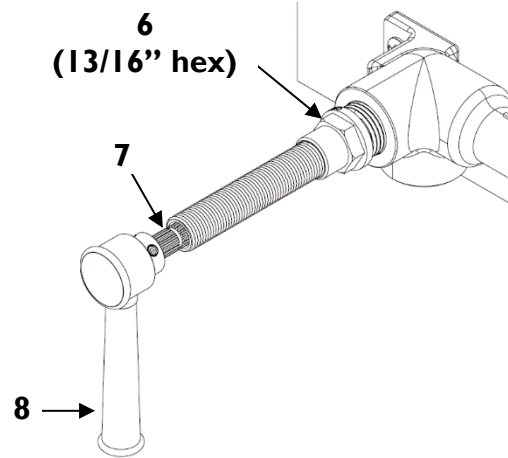
### 3

## RE-ALIGNING CARTRIDGE

**IMPORTANT:** Shut off water supply before starting.

- Slightly loosen in a CCW direction the cartridge NUT (6). Place HANDLE (8) on STEM (7) and tighten in a CW direction until desired alignment of handle is achieved. Retighten cartridge NUT (6) to factory torque setting of 14 ft-lbs

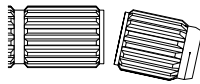
**WARNING:** Cartridge NUT (6) must be properly torqued to prevent possible failure and/or water damage.



### 4

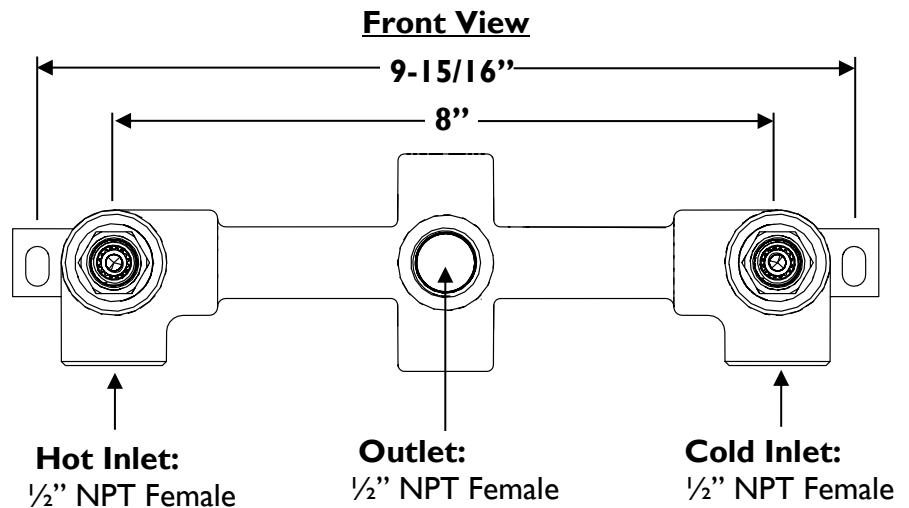
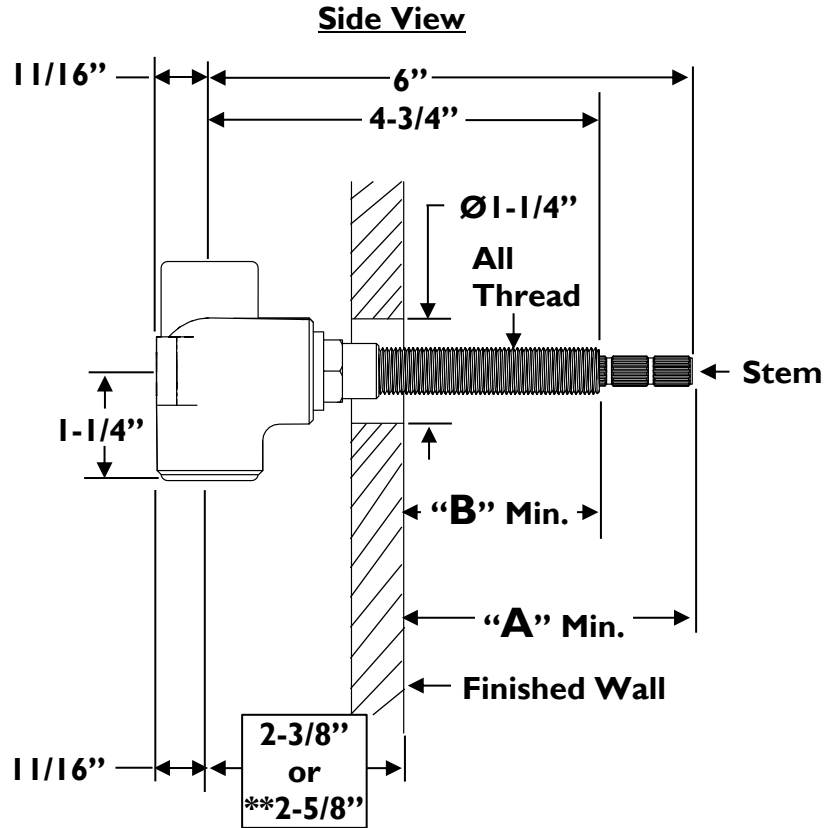
## DIMENSIONS

**NOTE:** When fitting handle it may be necessary to shorten Stem and/or All Thread to eliminate gap between handle & escutcheon.



"A" = Stem overall length for Finished Wall  
 "B" = All Thread overall length from Finished Wall

Handle Series #	"A" Minimum	"B" Minimum
30, 30X	1-3/4"	7/8"
33	2-1/2"	1-1/2"
34	2-7/16"	1-1/2"
35	2-1/2"	1-1/2"
**37, 37X	13/16"	5/16"
**38, 38X	13/16"	5/16"
39	1-3/16"	5/16"
45, 45X	2"	1-1/8"
46	2-5/16"	1-1/2"
47	2-5/16"	1-1/2"
48, 48X	2-3/8"	1-5/8"
52	1-3/8"	1-1/8"
53	1-3/8"	1-1/8"
55	2-5/16"	1-5/8"
60	2-1/4"	1-1/2"
61, 61X, 61XD	2-1/4"	1-1/2"
62	1-1/16"	1/4"
64	2-1/2"	1-3/4"
65	1-15/16"	1-1/4"
66	1-15/16"	1-1/4"
**70	1-3/8"	3/4"
**74	3/4"	0"
**77, 77R	1-5/16"	5/8"
**78, 78R	1-5/16"	5/8"
80, 80W	1-9/16"	7/8"
85, 85B, 85W	1-1/2"	3/4"
C1, C1X, C1XS	1-3/8"	5/8"
**C2, C2B	1-3/8"	3/8"
**E3	1-1/4"	1/4"
**E4	13/16"	1/4"
**E5	7/8"	1/4"



**\*\*NOTE:** Valve rough must be set back a minimum of 2-5/8" from finished wall surface to center of inlets