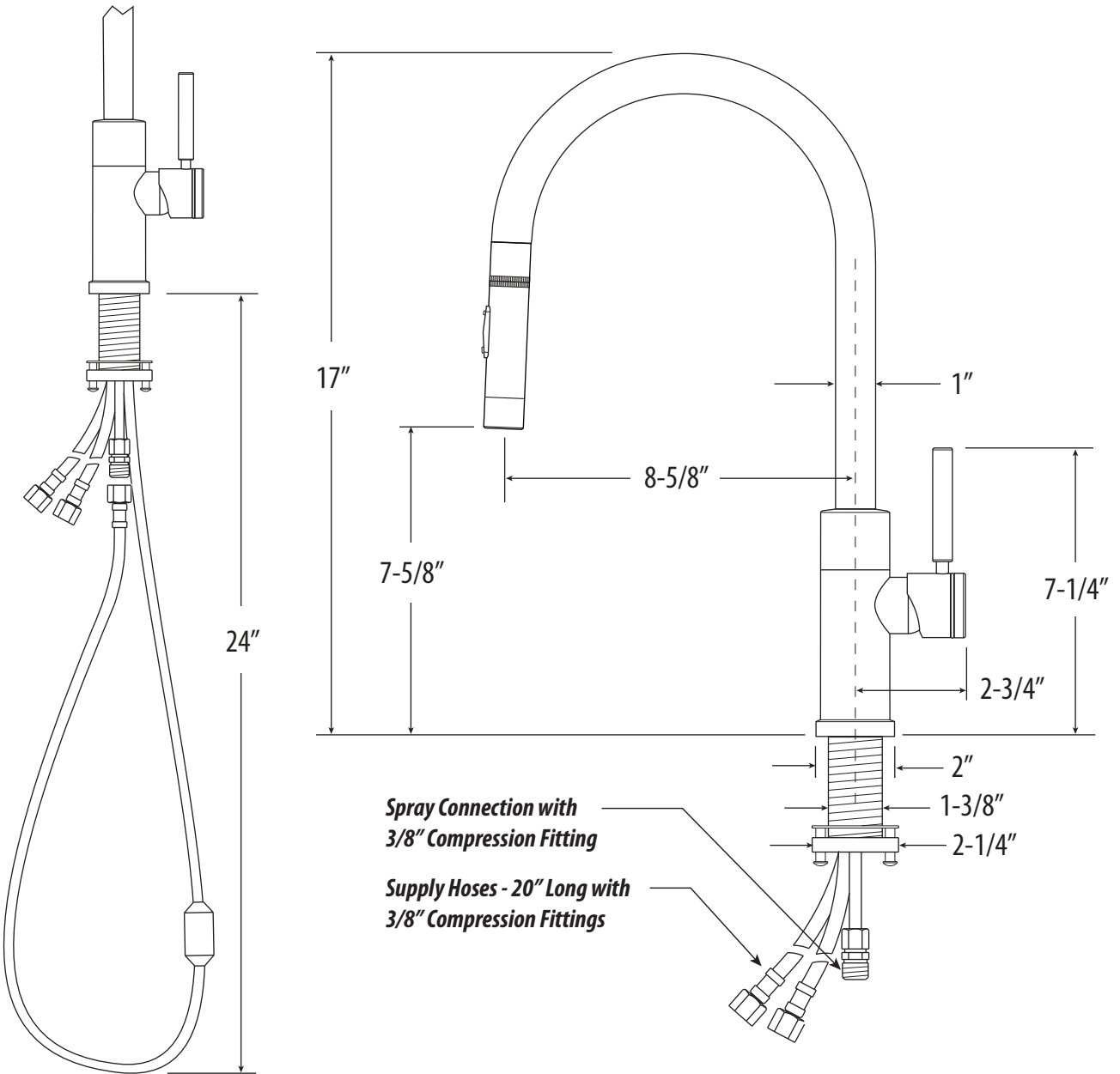


MODERN PLP PULLDOWN FAUCET / TOGGLE SPRAYER

9450

- Max Counter Thickness 2-3/8"
- Minimum Install Hole Size 1-1/2"



DIMENSIONS MAY VARY AND ARE SUBJECT TO CHANGE. NO RESPONSIBILITY IS ASSUMED FOR USE OF SUPERCEDED OR VOIDED DATA

INDUSTRIAL, MODERN AND FULTON PLP PULLDOWN FAUCET INSTALLATION INSTRUCTIONS



Model #s:

9300	9350	10200	10300
9400	9450	10210	10310
9410	9460	10220	10320
9700	9750	10230	10330
9800	9850	10240	10340
9810	9860	10250	10350
9900	9950	10260	10360
9910	9960	10270	10370
9930	9980	10280	10380
9940	9990	10290	10390



BEFORE YOU BEGIN YOUR INSTALLATION:

1



Turn off water supply.

2



Observe all local plumbing codes.

3



Inspect plumbing for signs of damage. Replace as necessary.

4



DO NOT use petroleum based products on this faucet.

REQUIRED TOOLS:



Adjustable Wrench



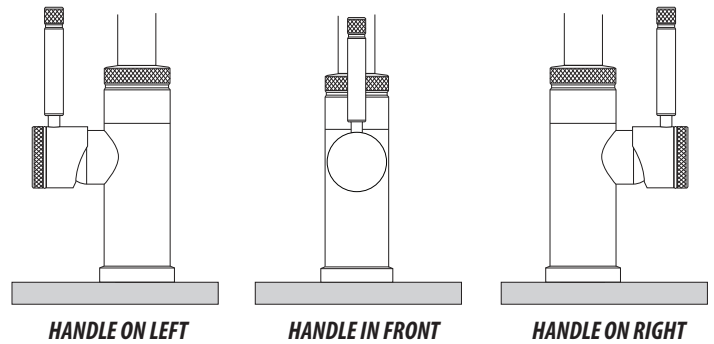
Phillips Screwdriver



Channel Locks

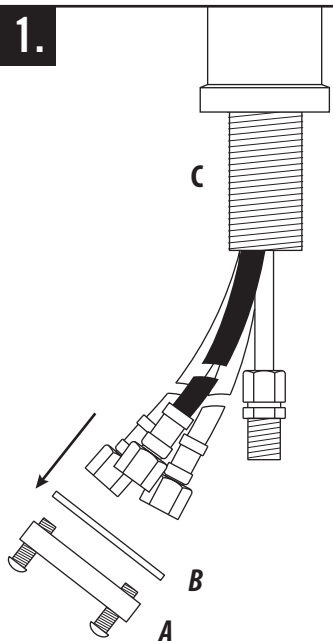
HANDLE POSITION

Waterstone faucets are designed to be installed in 3 different faucet positions. Choose to have the handle on left, front or right. Your faucet is factory configured for the most common positions - a front and right side installation. To reverse this and have the handle positioned on the left, connect the hose for cold water to the hot supply and the hose for hot water to the cold supply. This will maintain the relationship of pulling the handle for hot water or pushing for cold water.



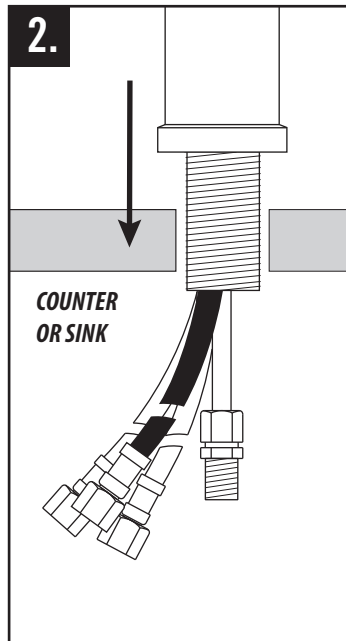
PULLDOWN FAUCET INSTALLATION

1.



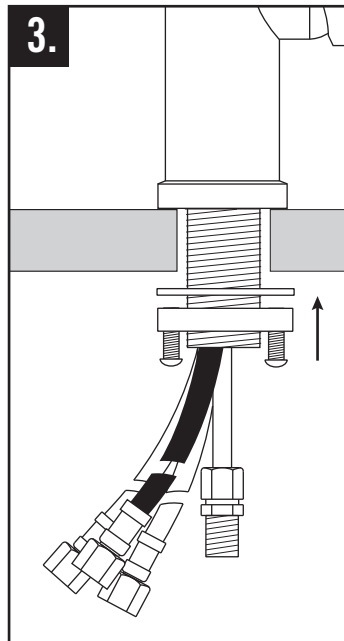
Remove the clamp nut (A) and washer (B) from the threaded shroud (C).

2.



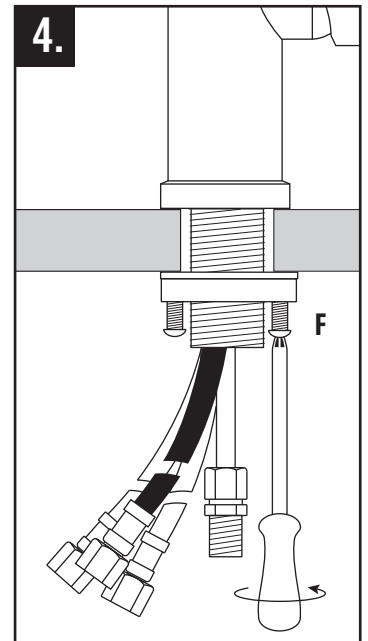
Fit flexible hoses (D) and spray connection tube (E) through hole on counter or sink. (No plumbers putty is required. O-ring seals base).

3.



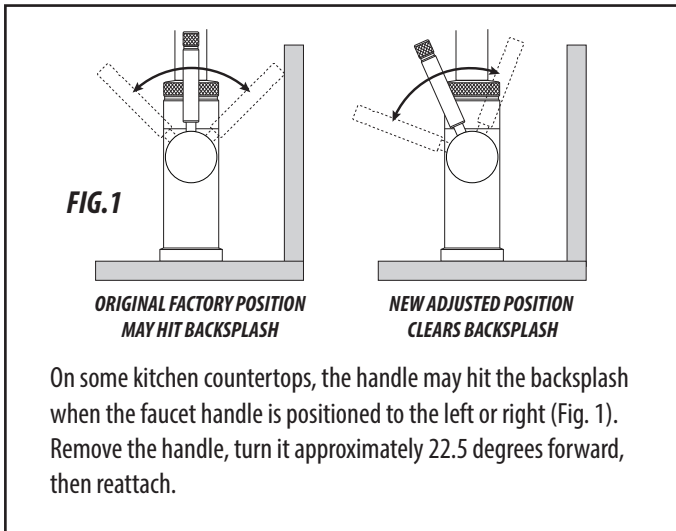
Slide washer and thread the clamp nut onto threaded shroud. Tighten nut snug to underside of sink or counter.

4.



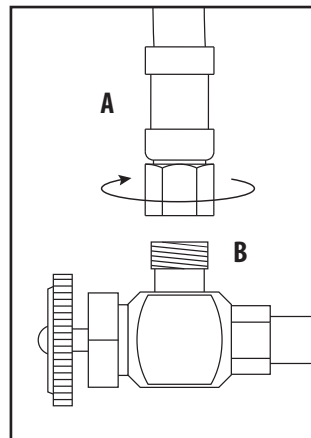
Turn faucet to the desired handle position. Securely tighten clamp screws (F).

ADJUST HANDLE FOR BACKSPLASH

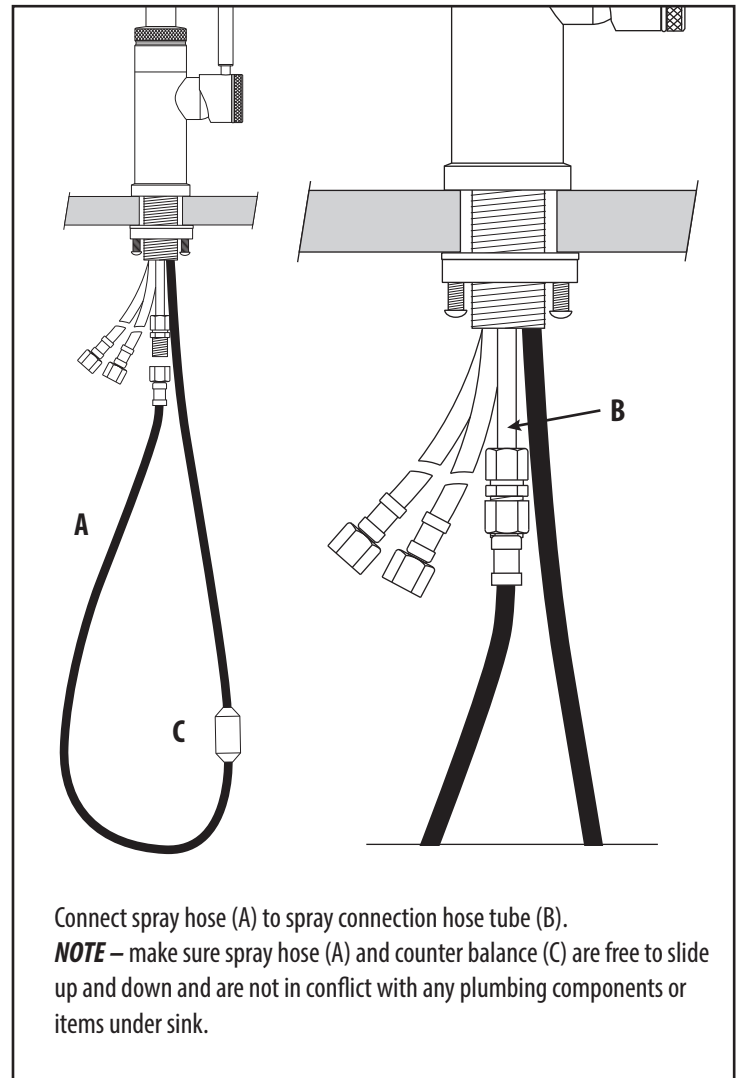


CONNECTING SUPPLY HOSES

Before connecting supply hoses, flush supply stops to clear any debris. Place a bucket underneath stops and run water for 5 to 10 seconds. Turn water off. Carefully position hot and cold supplies so they will not interfere with other hoses. Connect supply hoses (A) to supply stops (B). **DO NOT** use teflon tape or plumbers putty. Turn water back on and check for leaks.

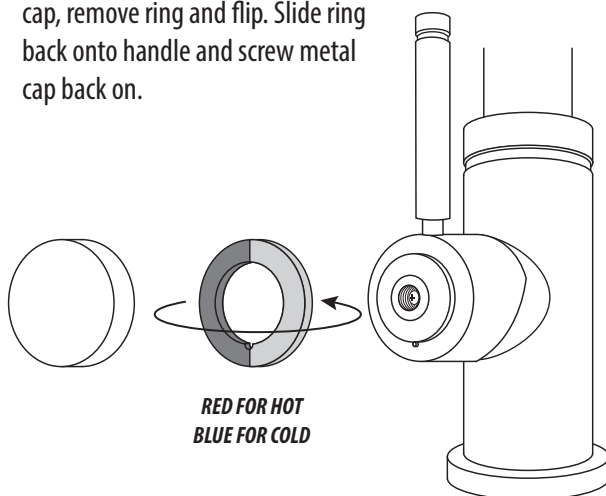


CONNECT THE PULLDOWN SPRAY HOSE

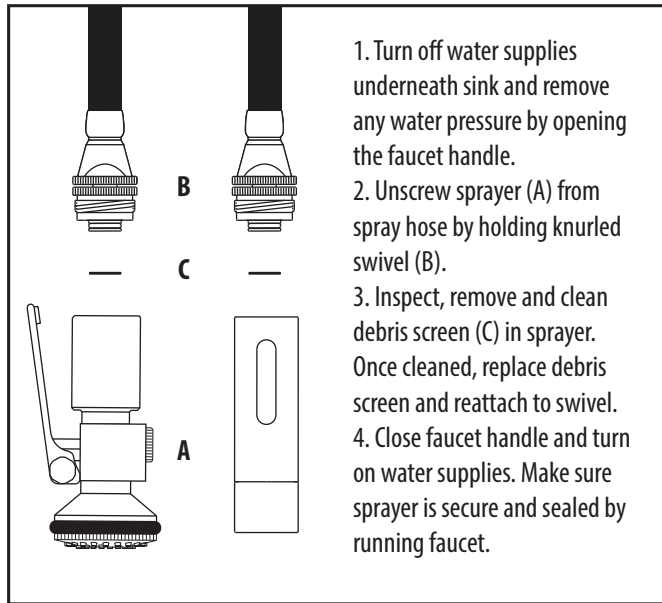


OPTIONAL HOT COLD INDICATOR RING

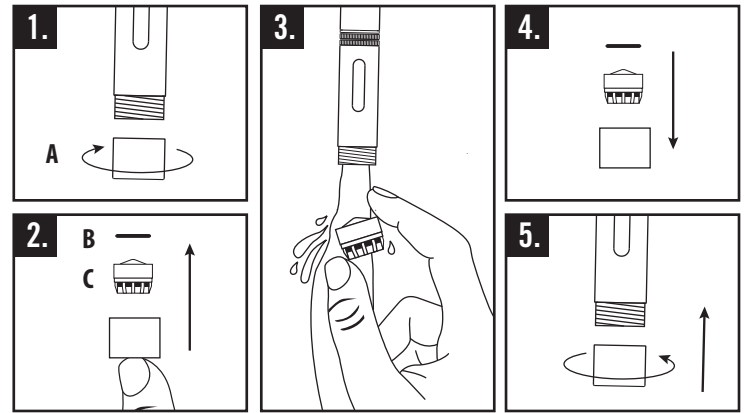
To reverse or remove Hot and Cold Indicator Ring, unscrew the metal cap, remove ring and flip. Slide ring back onto handle and screw metal cap back on.



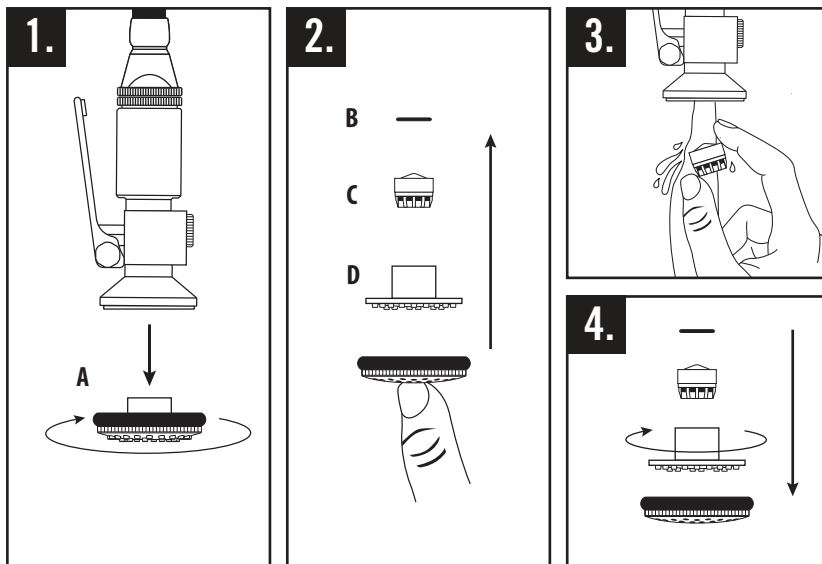
CLEANING DEBRIS SCREEN



CLEANING AERATOR

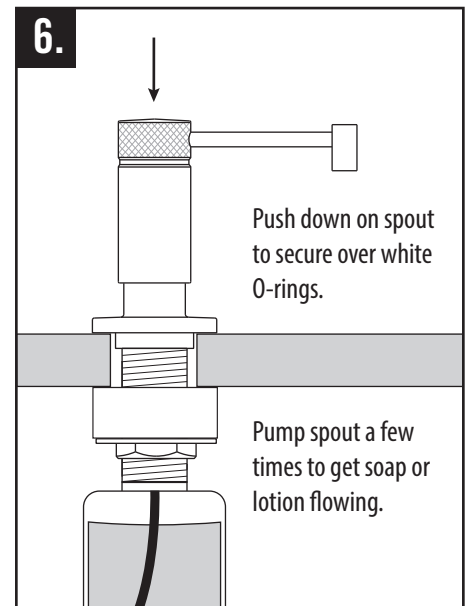
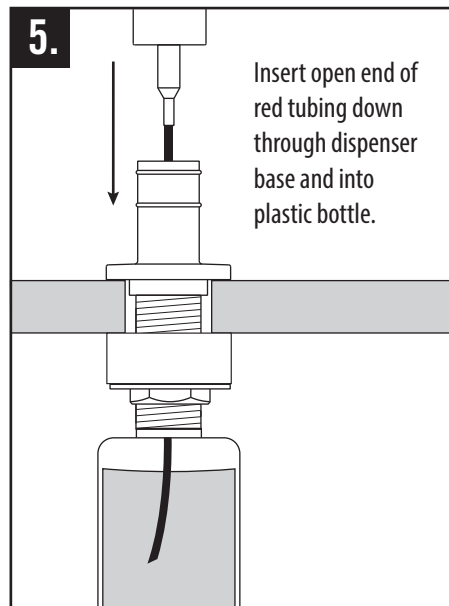
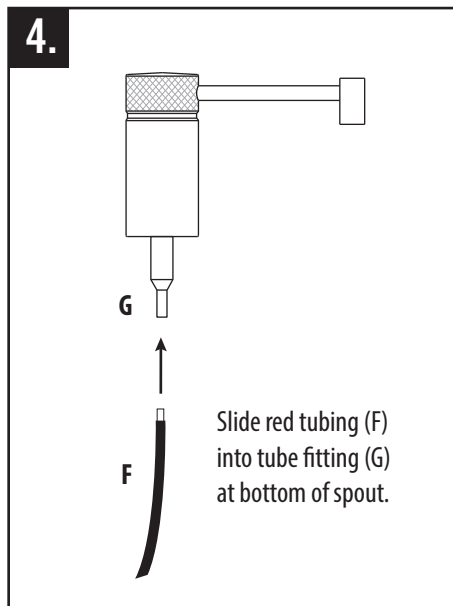
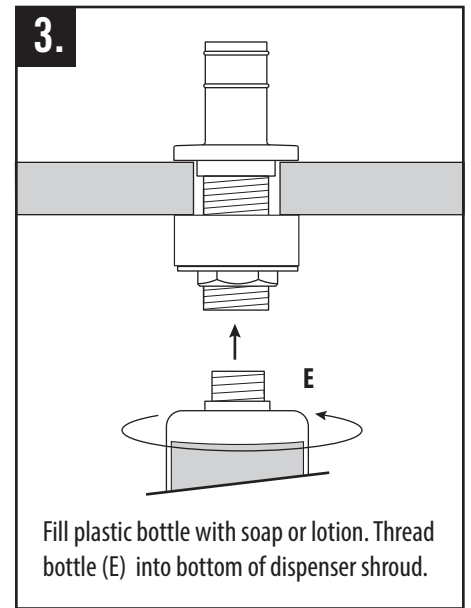
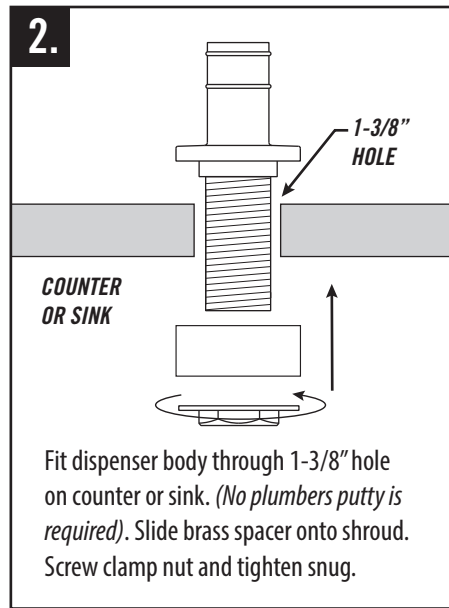
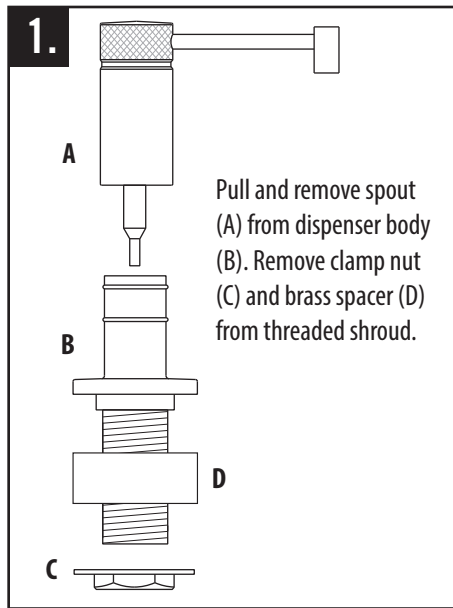


CLEANING AERATOR - LEVER SPRAYER

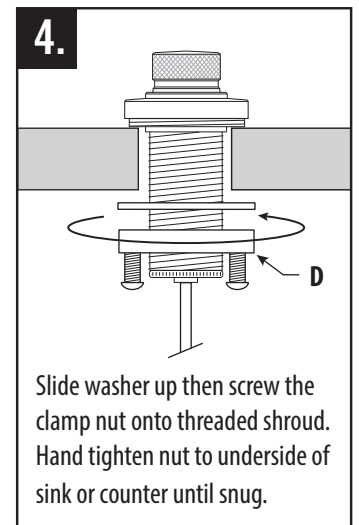
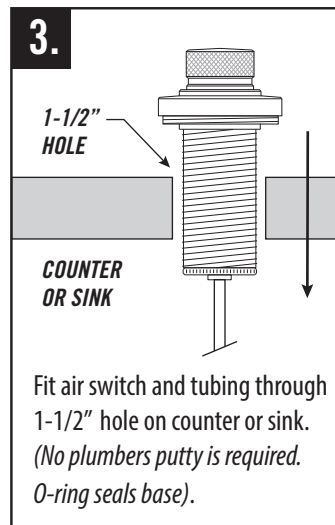
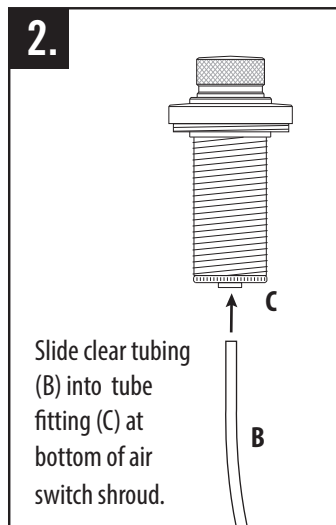
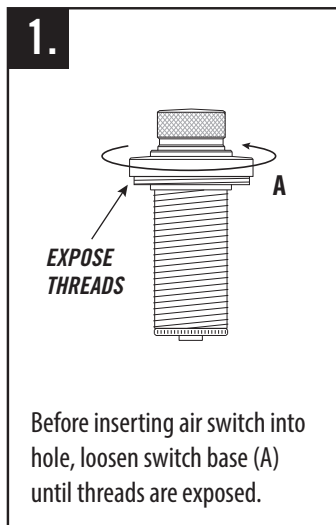


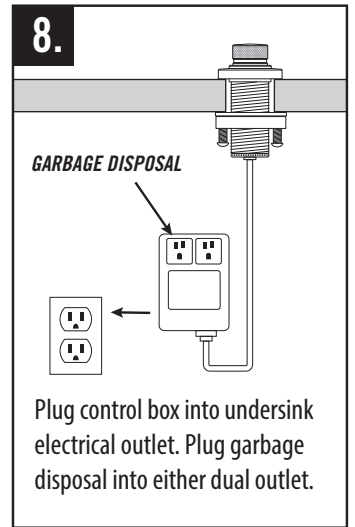
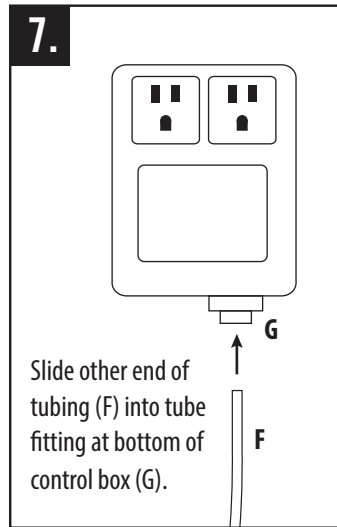
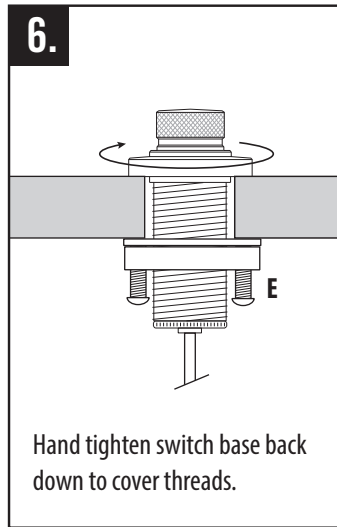
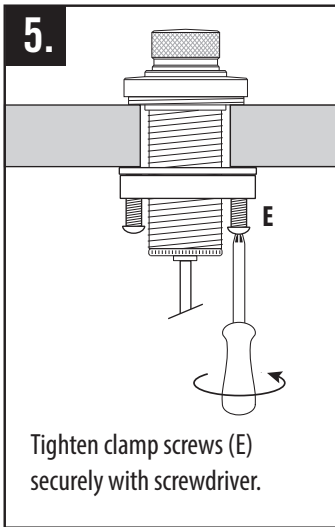
1. Gently unscrew and remove spray face (A) by hand.
2. To remove O-ring (B), aerator (C) and spray face insert (D), push with finger from bottom.
3. Thoroughly rinse aerator with water until all debris is removed.
4. Place spray face insert back into spray face and spin until it clicks into place. Next, place aerator and O-ring into spray face. Gently screw spray face, by hand, snugly back onto sprayer.

INSTALL SOAP/LOTION DISPENSER (OPTIONAL)

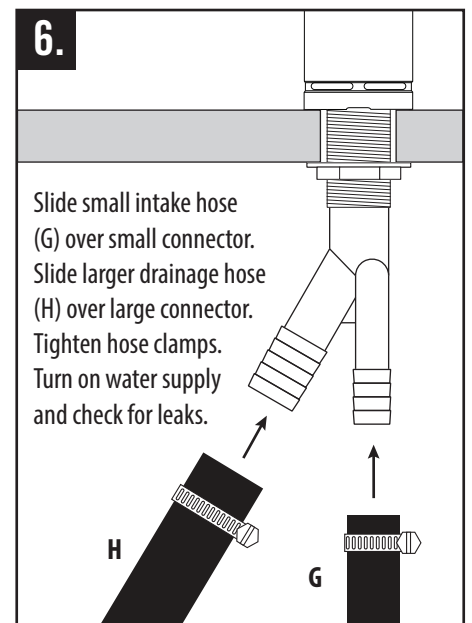
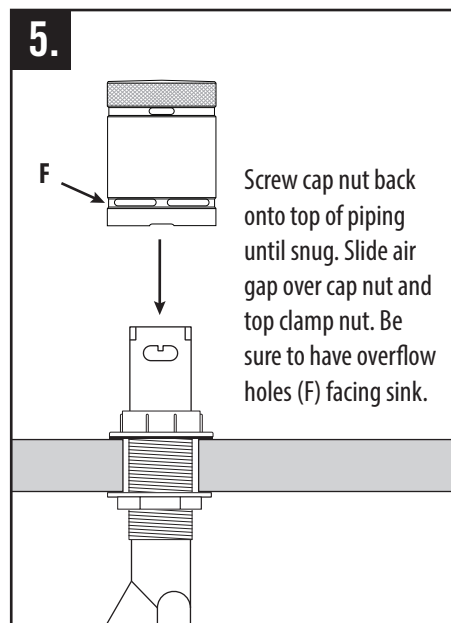
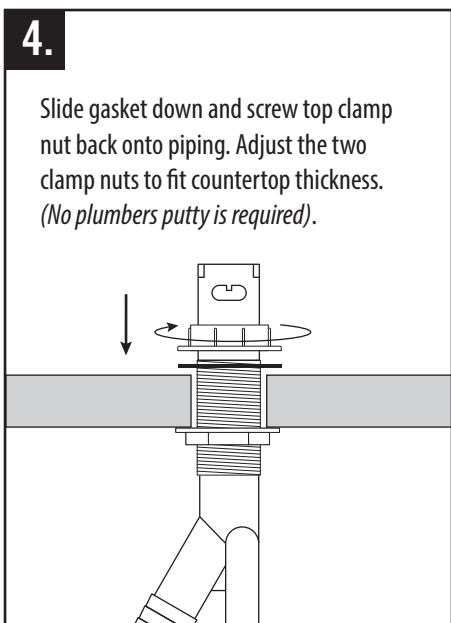
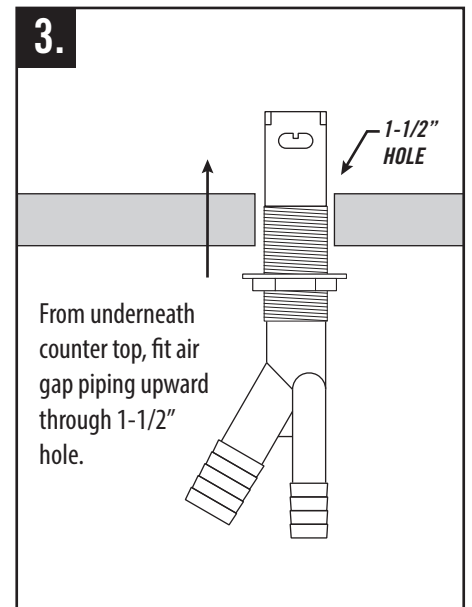
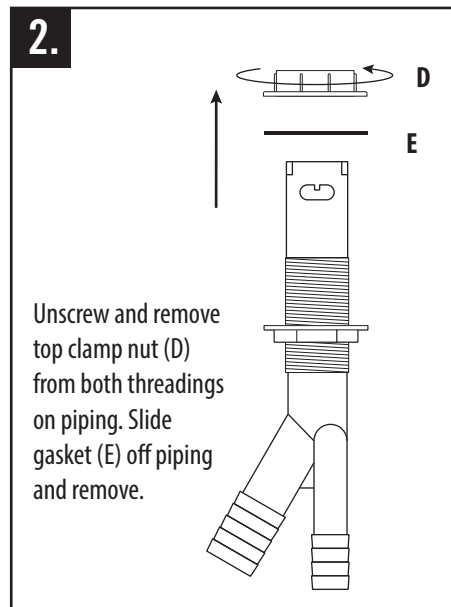
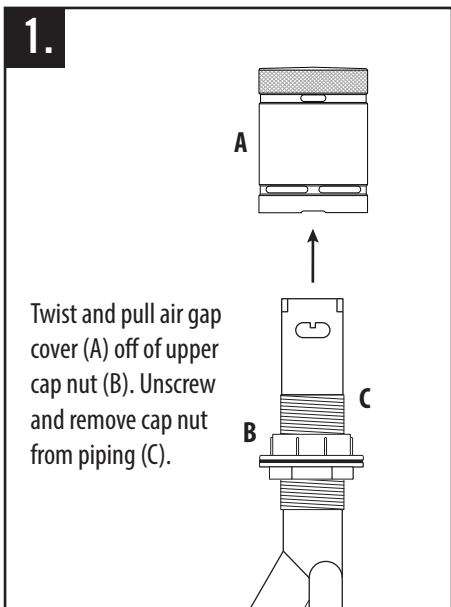


INSTALL AIR SWITCH (OPTIONAL)



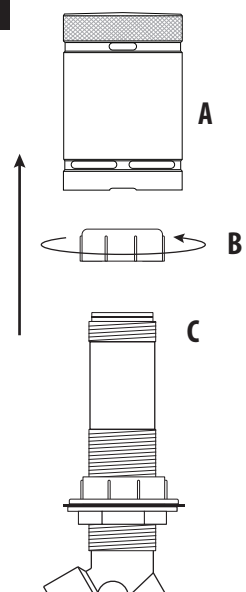


INSTALL SINGLE PORT AIR GAP (OPTIONAL)



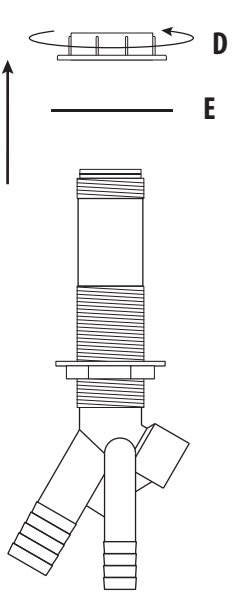
INSTALL DUAL PORT AIR GAP (OPTIONAL)

1.



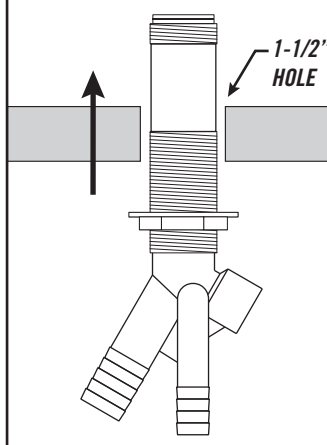
Pull air gap (A) off of upper cap nut (B). Unscrew and remove cap nut from piping (C).

2.



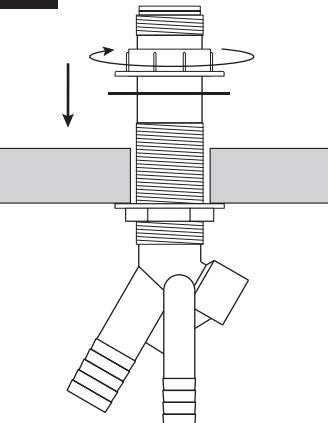
Unscrew and remove top clamp nut (D) from both threads on piping. Slide gasket (E) off piping and remove.

3.



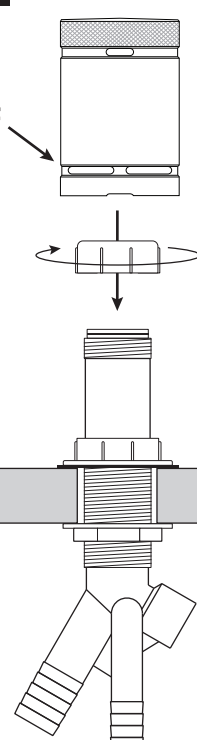
From underneath counter top, fit air gap piping upward through 1-1/2" hole.

4.



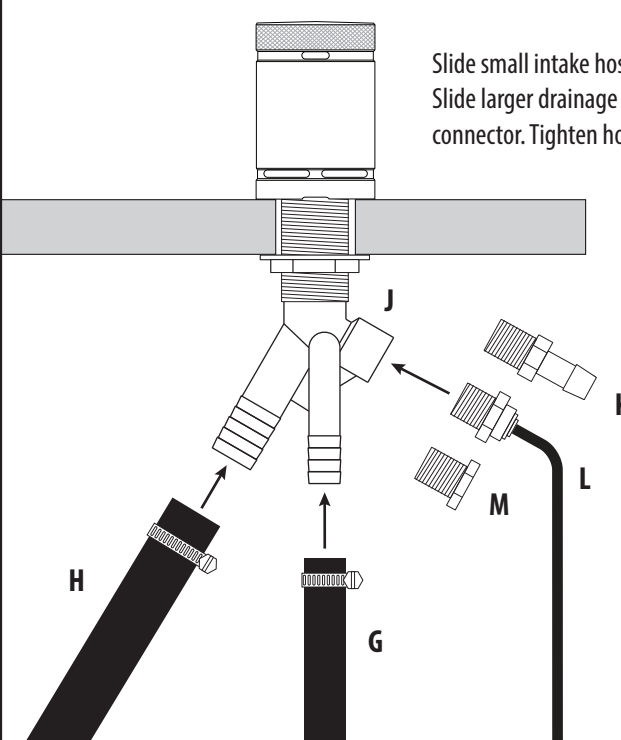
Slide gasket down and screw top clamp nut back onto piping. Adjust the two clamp nuts to fit countertop thickness. (No plumbers putty is required).

5.



Screw cap nut back onto top of piping until snug. Slide air gap over cap nut and top clamp nut. Be sure to have overflow holes (F) facing sink.

6.



Slide small intake hose (G) over small connector. Slide larger drainage hose (H) over large connector. Tighten hose clamps.

Third intake hole (J) has 3 options. Use hose connector (K) for additional dishwasher, use filtration hose connector (L) for reverse osmosis unit, or use solid cap (M) to plug third hole.

