



California Faucets®

Mendocino™

Single Handle Lavatory Wall Faucet Trim Only

TO-V7701-9

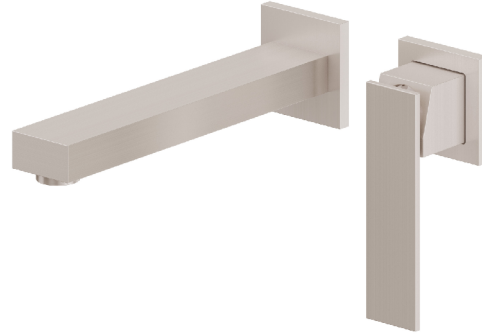
Features

- Available in 28 finishes including 13 PVD finishes
- All brass construction
- Single handle allows for volume & temperature control at any position
- 1.2gpm (4.5 L/min) max flow rate
- Rough valve (SHV-R) sold separately

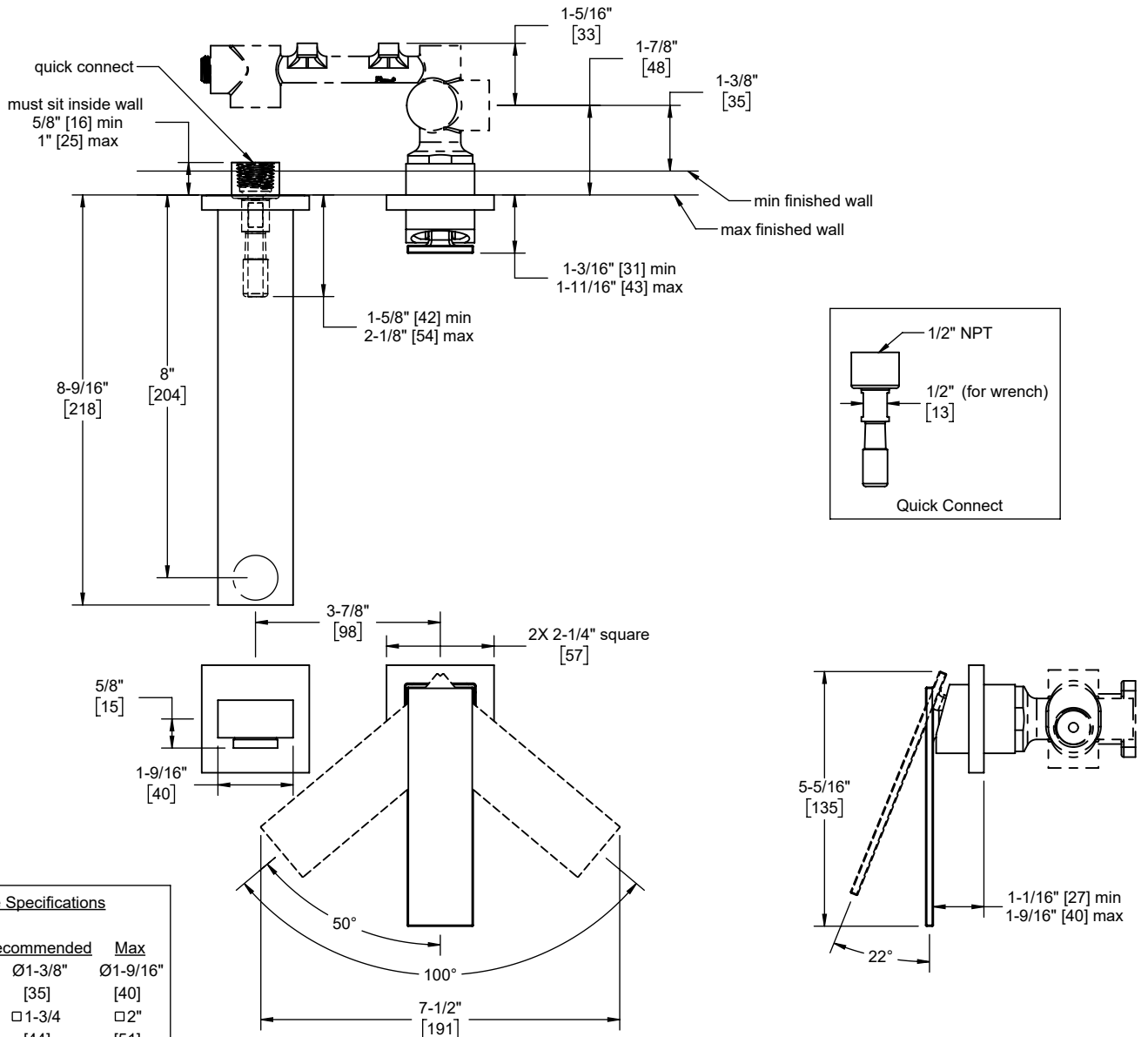
Codes/Standards Applicable

Product meets or exceeds the following:

- ASME A112.18.1/CSA B125.1
- NSF 61, NSF 372, CEC & DOE
- EPA WaterSense
- Commonwealth of MA
- ADA compliant



TO-V7701-9-SN shown



Through-Hole Specifications

	Min	Recommended	Max
Spout:	Ø1" [25]	Ø1-3/8" [35]	Ø1-9/16" [40]
Handle:	□ 1-5/8" [41]	□ 1-3/4" [44]	□ 2" [51]

Specifications subject to change without notice

Dimensions are inches, rounded to 1/16"
[Dimensions in brackets are mm, rounded to 1mm]



Features

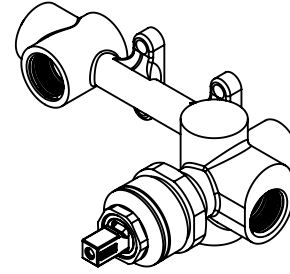
- Forged brass construction
- Ceramic mixing cartridge
- 1/2" FIP - 2 inlet
- 1/2" FIP outlet

Codes/Standards Applicable

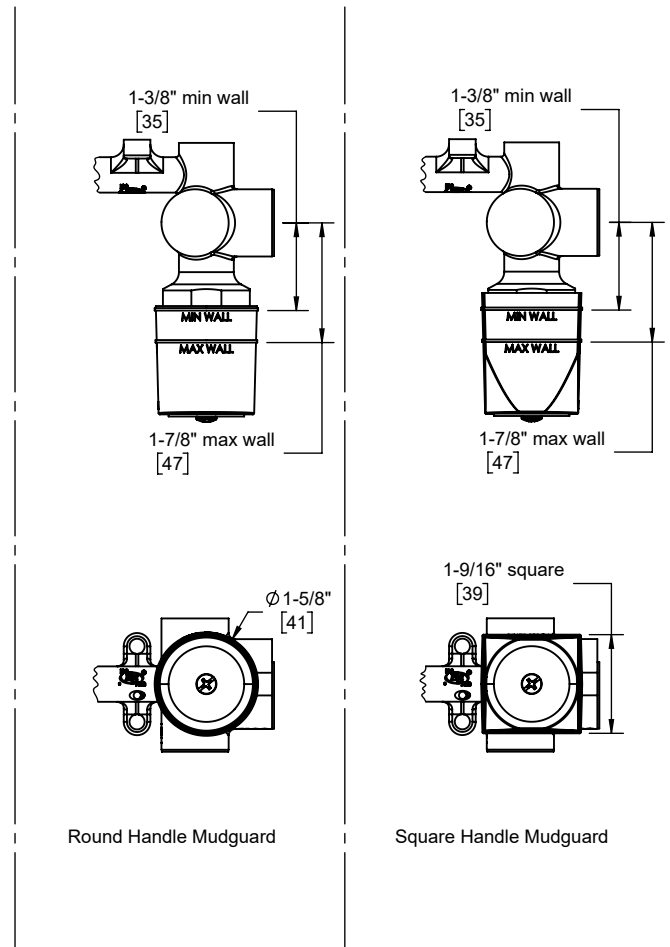
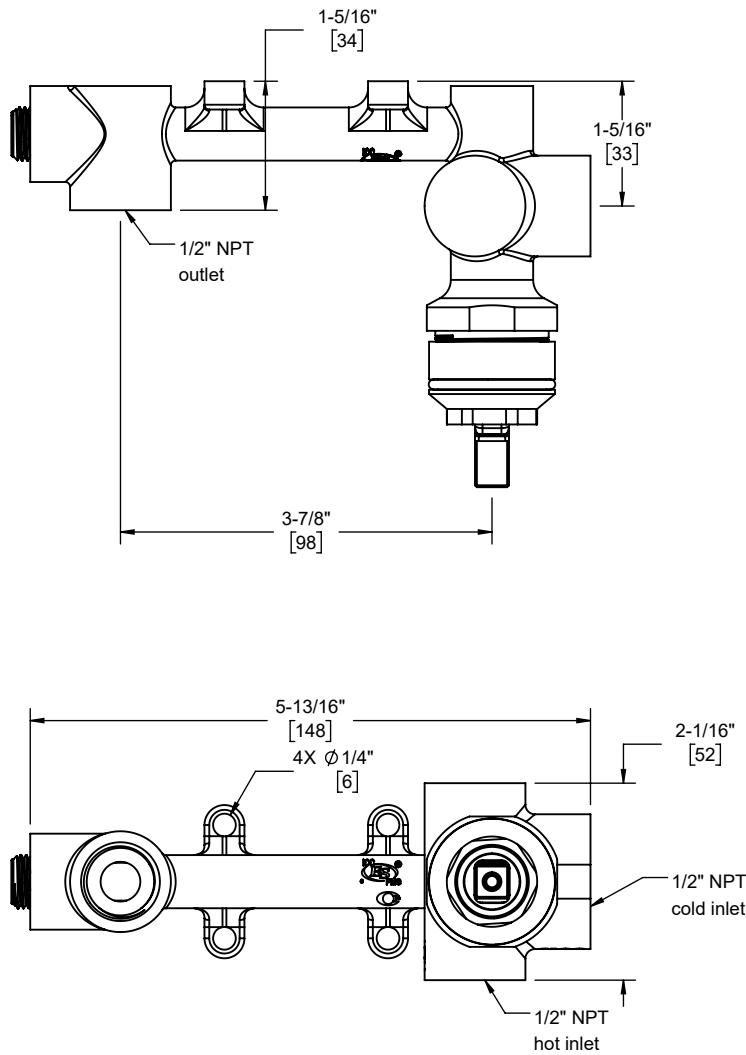
Product meets or exceeds the following:

- ASME A112.18.1/CSA B125.1
- NSF 61, NSF 372
- Commonwealth of MA

SHV-R



SHV-R shown
with mudguard removed



IMPORTANT:
 MUDGUARD MUST BE INSTALLED ACCORDING TO TRIM STYLE.
 FOR ROUND TRIM USE ROUND MUDGUARD.
 FOR SQUARE TRIM USE SQUARE MUDGUARD.
 CUT TABS AS CLOSE TO EACH MUDGUARD SIDE AS POSSIBLE

Single Handle Lavatory Wall Faucet Trim Only Installation Instructions

CALIFORNIA FAUCETS RECOMMENDS THAT ALL PLUMBING PRODUCTS BE INSTALLED BY A LICENSED PROFESSIONAL

IMPORTANT: Read all instructions prior to installation and provide copy of instructions to consumer.

Operating Specifications:

Recommended Supply Pressure: 20 to 70 psi*†

Maximum Flow Rate: 1.2 gpm

* Operating pressures between hot and cold supplies should vary no more than 30 psi.

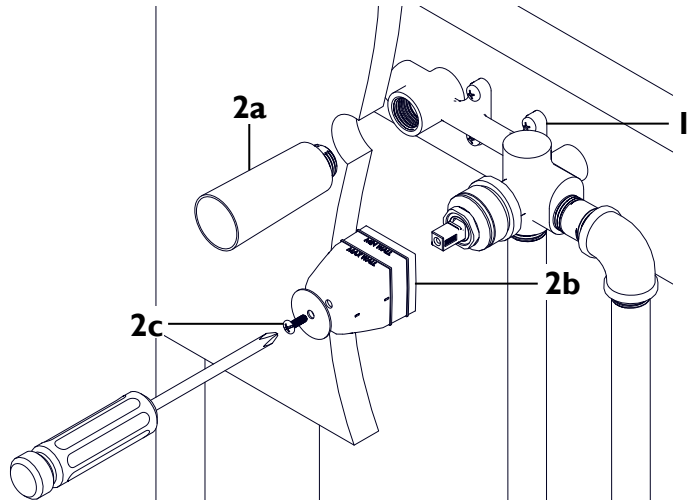
† If water pressure exceeds 70 psi, install a Pressure-Reducing Valve (PRV).

1 REMOVING MUDGUARDS

- Prior to installing faucet trim, in-wall vessel rough VALVE (1) (SHV-R) must be properly installed, and wall surface must be completely finished

NOTE: Recommended spout through-hole size is $\text{Ø}1\text{-}3/8"$, recommended handle through-hole size is $1\text{-}3/4"$ square

- Remove SPOUT MUDGUARD (2a) from VALVE (1) by turning counterclockwise
- Remove HANDLE MUDGUARD (2b) from VALVE (1) by loosening mudguard SCREW (2c)



2 INSTALLING SPOUT

- Apply thread SEALANT (4) (not supplied) to both sides of NIPPLE (3) (not supplied) and tighten into left outlet of valve

NOTE: To determine length of nipple (not supplied), the spout needs to be "dry fit" (e.g., no use of thread sealant on fittings) to the valve through the finished wall. Depending on wall/valve depth, a custom length nipple may need to be fabricated.

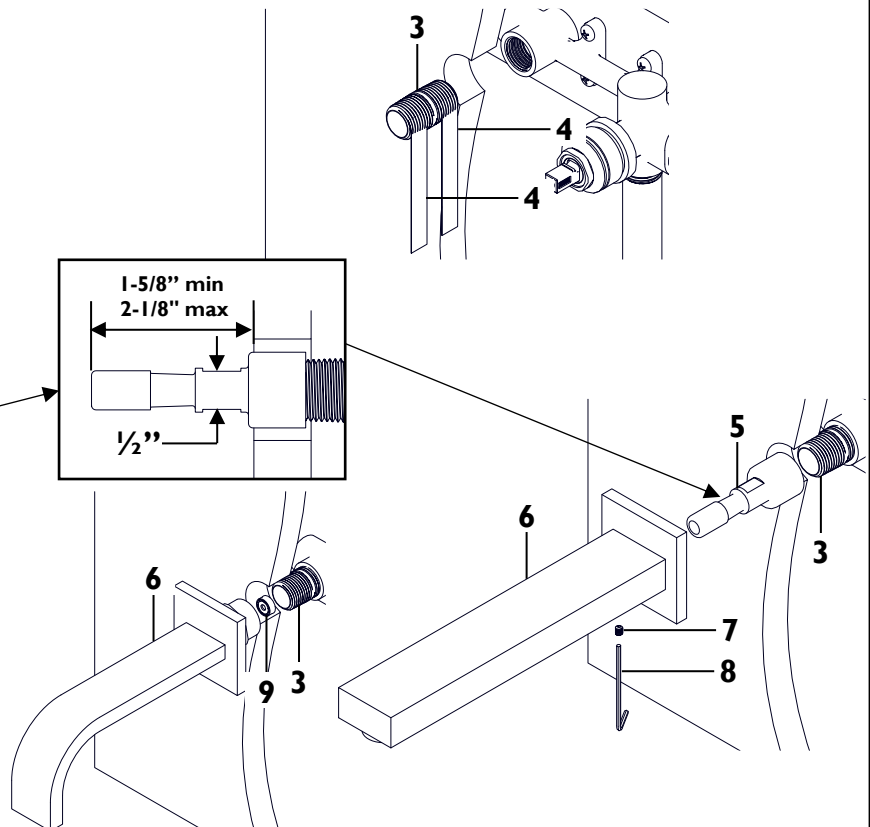
- For V7701: Tighten QUICK CONNECT (5) onto end of NIPPLE (3) using $1/2"$ open-end wrench

WARNING: For V7701, to prevent water damage, QUICK CONNECT (5) must protrude 1-5/8" to 2-1/8" from finished wall

IMPORTANT: For V7801, VALVE (1) MUST be flushed prior to installing SPOUT (6). Flow RESTRICTOR (9) is located at the inlet of SPOUT (6)

- For V7701: Slide SPOUT (6) onto QUICK CONNECT (5) and tighten SETSCREW (7) with KEY (8)
- For V7801: Tighten SPOUT (6) onto NIPPLE (3). If SPOUT (6) is not properly aligned when fully tightened, turn counterclockwise until properly aligned

IMPORTANT: For V7801, do not overtighten SPOUT (6)

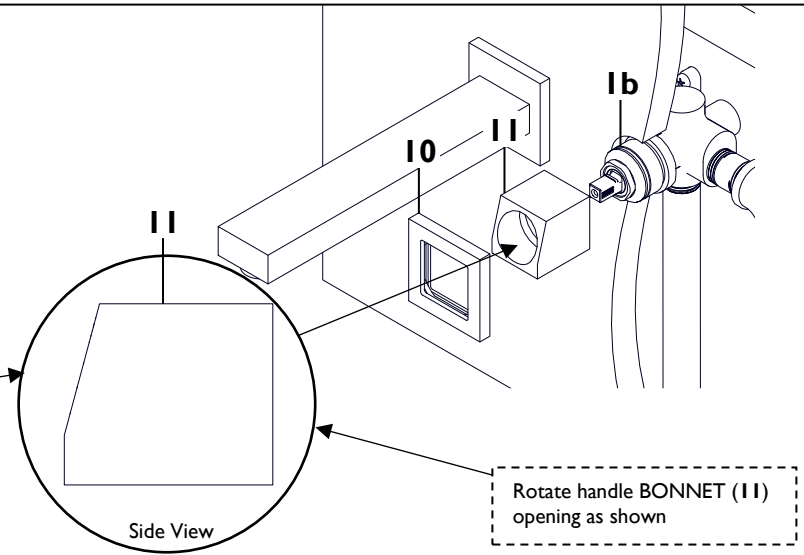


3 INSTALLING HANDLE BASE

- Slide handle RING (10) onto handle BONNET (11)
- Slide handle BONNET (11) onto right side of VALVE (1b) until an audible click sound is heard or felt indicating BONNET (11) is seated onto VALVE (1b)

IMPORTANT: Handle BONNET (11) MUST be in contact with VALVE (1b) for handle to function properly. BONNET (11) will not rotate when seated properly.

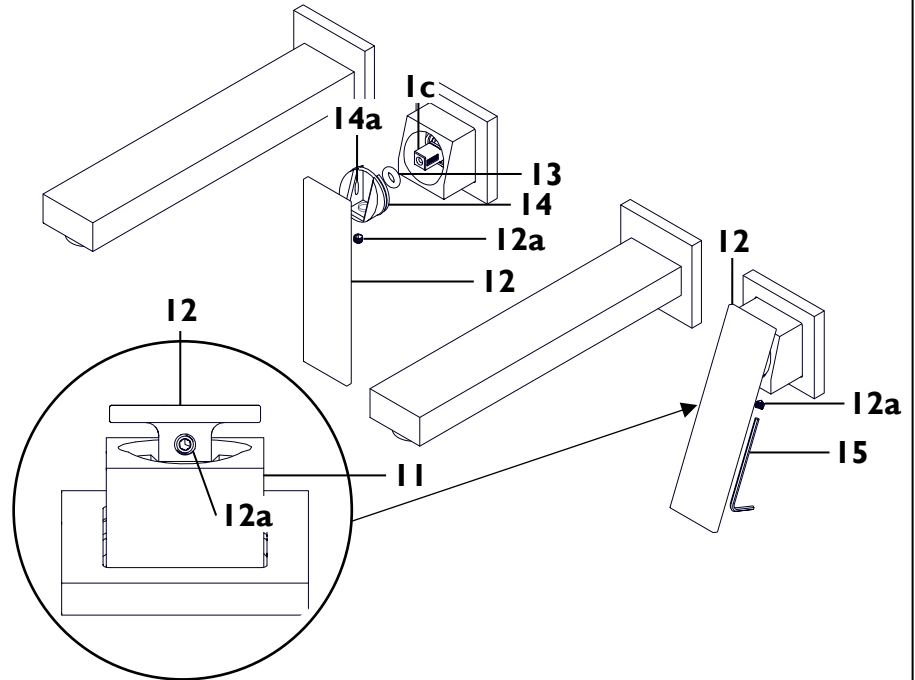
- Confirm proper orientation of handle BONNET (11)
- Push handle RING (10) firmly against wall



4 INSTALLING HANDLE

- Loosen handle SETSCREW (12a)
- Slide stem O-RING (13) onto valve STEM (1c)
- Slide handle CAP (14) onto valve STEM (1c) and seat stem O-RING (13) into handle CAP GROOVE (14a)
- Slide HANDLE (12) down onto and engage valve STEM (1c)
- Tilt HANDLE (12) upwards and tighten handle SETSCREW (12b) with ALLEN KEY (15)

IMPORTANT: Water supply must be off, or water will come out of the spout.



5 FINAL CONNECTIONS

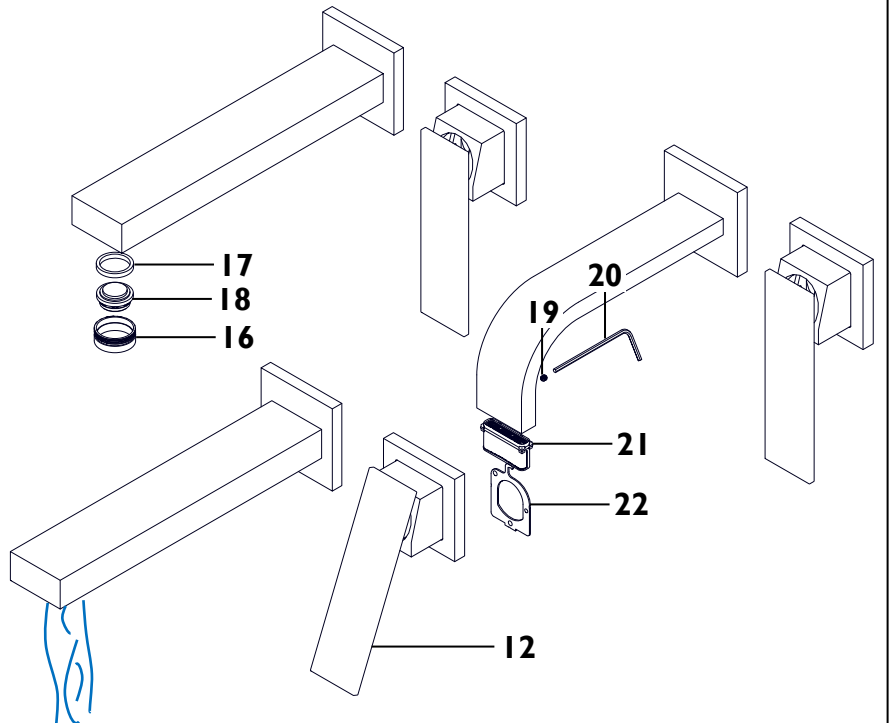
- **For V7701:** Remove aerator SHELL (16), WASHER (17), and AERATOR (18)
- **For V7801:** Remove SETSCREW (19) using KEY (20), remove AERATOR (21) using KEY (22)

NOTE: For V7801, remove spout to service flow restrictor (see Section 2)

- Turn faucet HANDLE (12) to the full-on-mixed position
- Turn on hot and cold water-supplies and flush water lines for one minute
- Re-install aerator PARTS (16-22)

IMPORTANT: This step flushes away any debris that could cause damage to internal parts.

- Check all connections for leaks; re-tighten if necessary





California Faucets®

SHV-R

Single Handle Lavatory Wall Faucet Rough In Valve Installation Instructions

CALIFORNIA FAUCETS RECOMMENDS THAT ALL PLUMBING PRODUCTS BE INSTALLED BY A LICENSED PROFESSIONAL

IMPORTANT: Read all instructions prior to installation and provide copy of instructions to consumer.

Operating Specifications:

Recommended Supply Pressure: 20 to 70 psi †

Maximum Flow Rate: 5.0 gpm

* Operating pressures between hot and cold supplies should vary no more than 30 psi.

† If water pressure exceeds 70 psi, install a Pressure-Reducing Valve (PRV).

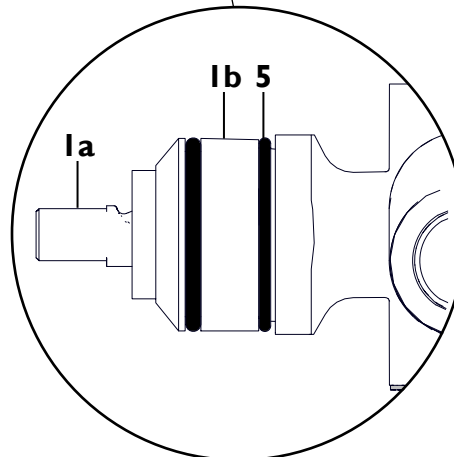
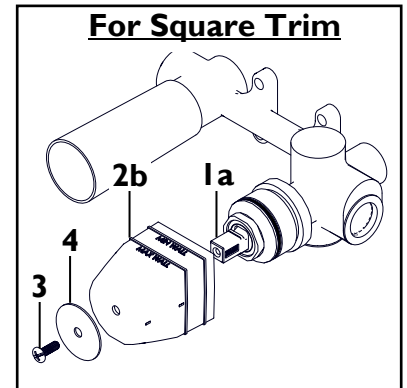
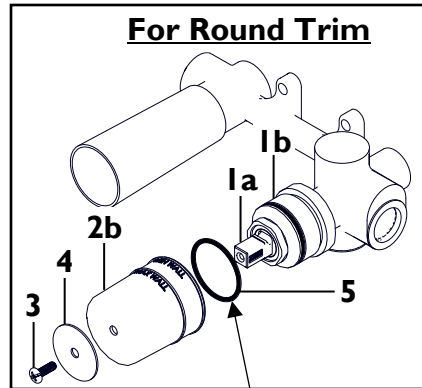
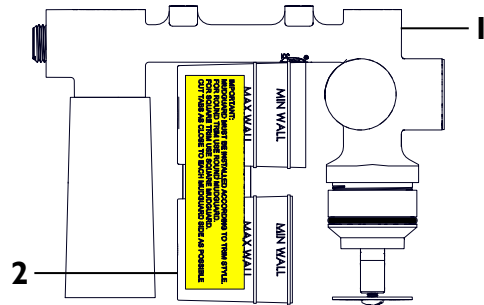
I INSTALLING MUDGUARD

- Remove VALVE (1) and combined handle MUDGUARD (2) from packaging
- Separate combined handle MUDGUARD (2)

IMPORTANT: Installer **MUST** know the trim style (model no. - see table below) to install appropriate MUDGUARD (2).
 For round trim use ROUND HANDLE MUDGUARD (2a)
 For square trim use SQUARE HANDLE MUDGUARD (2b)
 Cut tabs as close to each handle MUDGUARD (2) side as possible

- For Round Trim:** Slide O-RING (5) down past handle packing NUT (1b)
- Install proper MUDGUARD (2) on handle STEM(1a) using SCREW (3) and WASHER (4)

Model No. (series)	Mudguard Style
TO-V3001-7I-9	Round ○
TO-V3001F-7I-9	Round ○
TO-V3001K-7I-9	Round ○
TO-V8001-7I-9	Round ○
TO-V8001W-7I-9	Round ○
TO-V5201-7I-9	Round ○
TO-V6201-7I-9	Round ○
TO-V7701-9	Square □
TO-V7801-7I-9	Square □
TO-VE301-7	Round ○
TO-VE401-7	Round ○
TO-VE501-7	Round ○
TO-V3301-7I-9	Round ○
TO-V3501-7I-9	Round ○
TO-V6107-7I-9	Round ○
TO-V4801-7I-9	Round ○
TO-V6401-7I-9	Round ○



2 INSTALLING VALVE

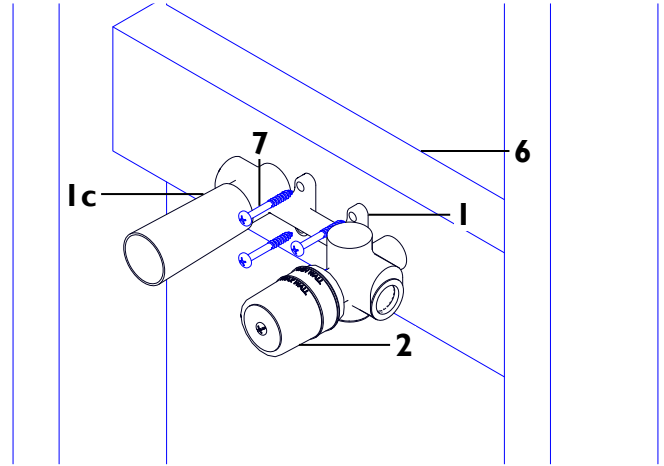
- Install BRACING (6) (2x4 stud recommended) at required height and depth

IMPORTANT: handle MUDGUARD (2) must project 1-3/16" min to 1-11/16" max from finished wall

- Place VALVE (1) onto BRACING (6) with SPOUT OUTLET (1c) on the left side

IMPORTANT: VALVE (1) is not reversible and must be installed as shown. Do not attempt to install with body upside down or with reversed hot/cold inlet connections.

- Secure VALVE (1) to BRACING (6) using SCREW (7) (not supplied)



3 SUPPLY CONNECTIONS

- Connect cold supply to COLD INLET (1d) and connect hot supply to HOT INLET (1e)

NOTE: Use thread sealant (not supplied) on all threaded connections

IMPORTANT: Flush supply lines prior to installation to prevent damage and malfunction of cartridge

WARNING: All soldering of fittings shall be performed a minimum of 4" away from VALVE(1)

- To check for leaks, install 1/2" NPT PLUG (8) (not supplied) into SPOUT OUTLET (1c)
- Turn on water supply valve
- To "open" valve lift STEM (1a)
- Check all connections for leaks
- Give these instructions to consumer for safe keeping

