

# REJUVENATION

## Owner's Manual Navi Toilet

### **Features:**

- Porcelain toilet
- Wall-hung installation
- Includes mounting hardware
- Concealed dual 1.6 gpf and 0.8 gpf flush system
- Soft-closing seat cover is included



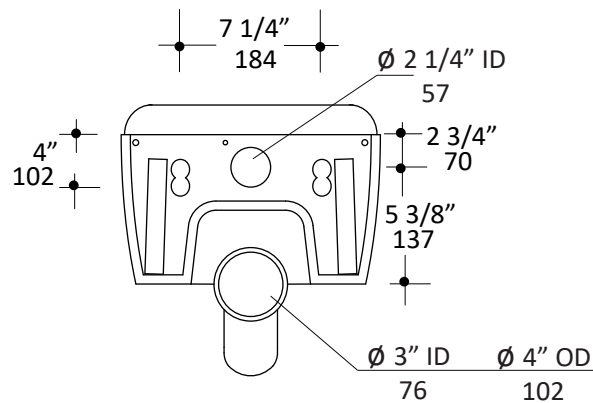
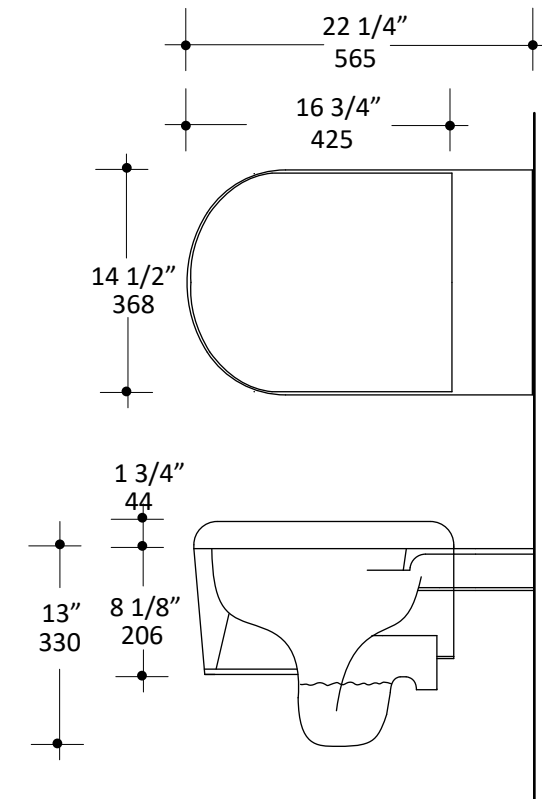
## Table of Contents/Contenido:

Page 2: Product Specifications/Especificaciones de Producto

Page 3: Installation Instructions/Instrucciones de Instalación

Page 6 : Cleaning & Care/Cuidado y Limpieza

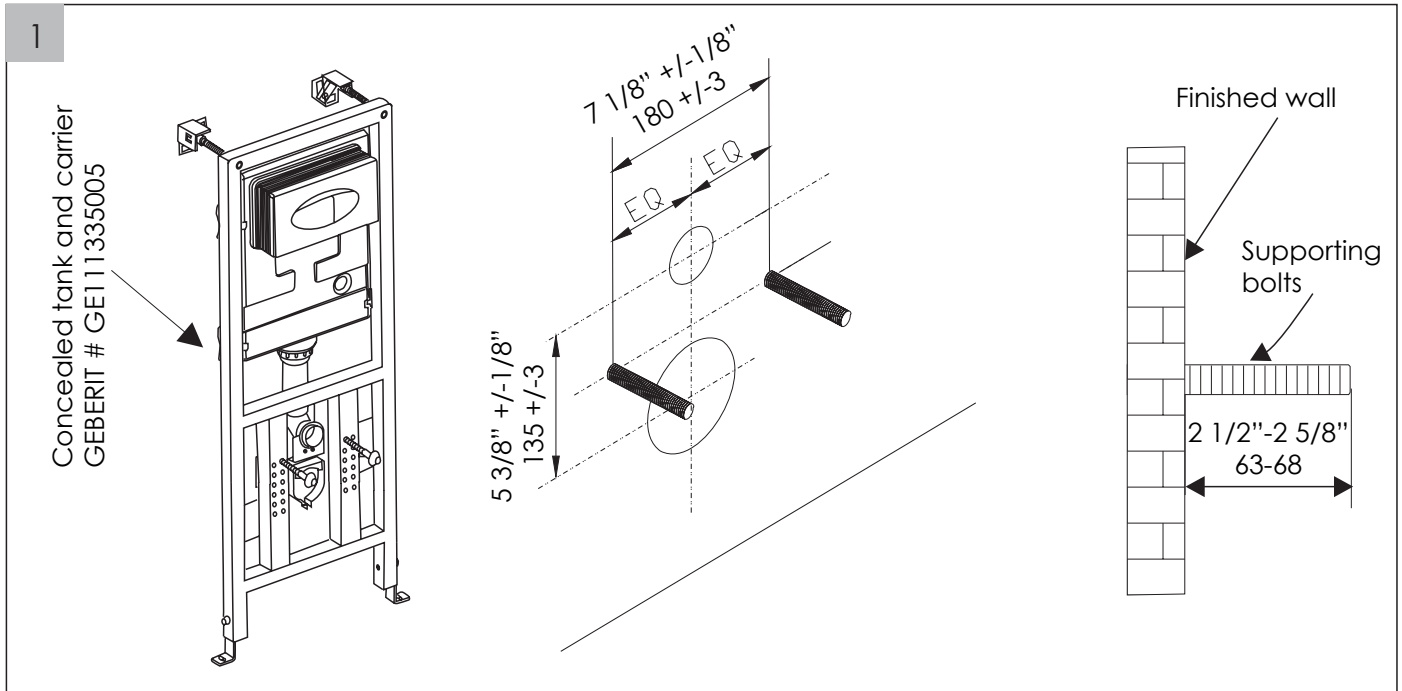
# Product Specifications/Especificaciones de Producto



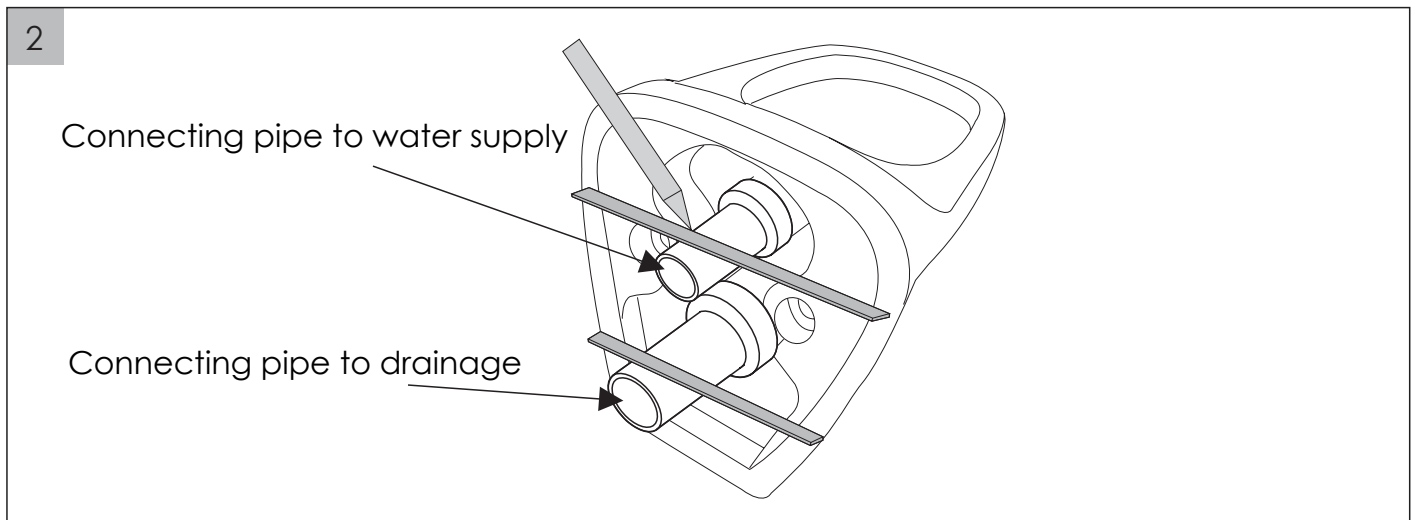
Note:  
Drawings provided herein are meant to give the user an idea of the product and are not made to scale. The sizes in inches are rounded up to the nearest 1/16.

Nota:  
Los planos proporcionados en este documento tienen el propósito de dar al usuario una idea del producto y no están hechos a escala. Los tamaños de pulgadas se redondean al más cercano 1 / 16.

# Installation Instructions/Instrucciones de Instalación

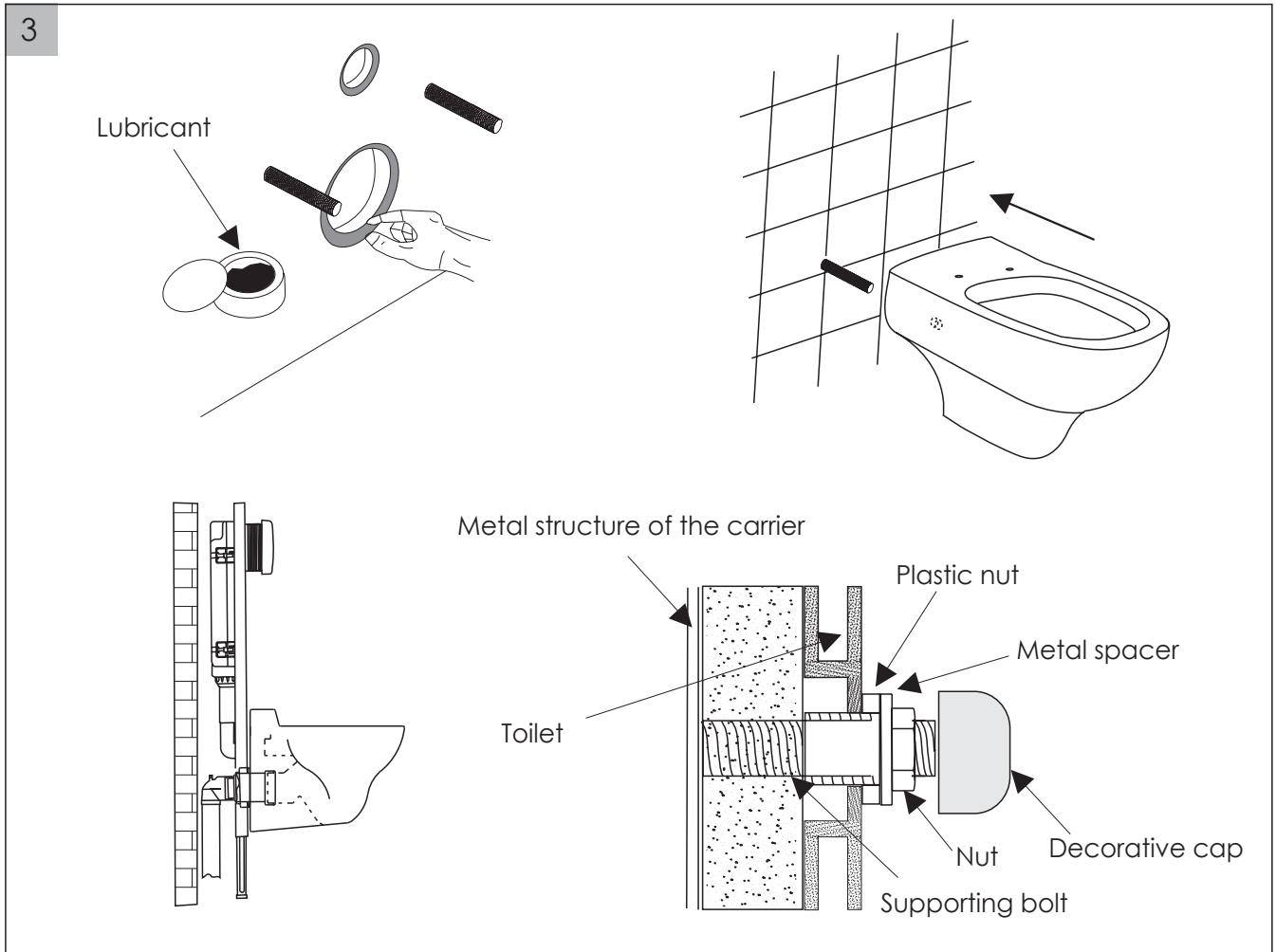


1. Install the concealed flushing system in the wall as instructed by the manufacturer, and then tile the wall so that only supporting bolts and inlet/outlet holes are exposed.

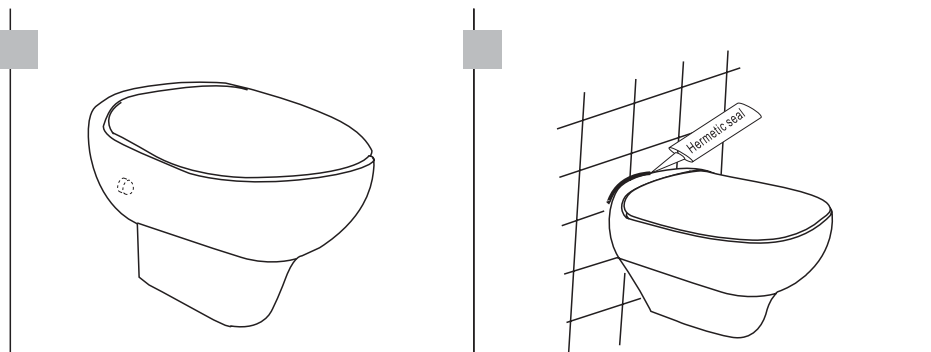


2. Cut and install the connecting pipes with seals provided with the concealed flushing system.

# Installation Instructions/Instrucciones de Instalación

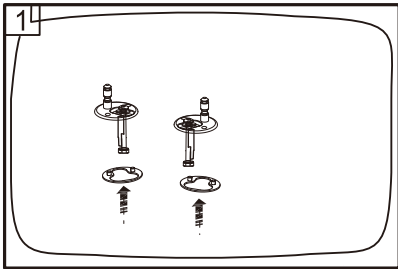


3. Place sealing washers over supply and drainage holes and lubricate them to prevent from shifting.
4. Put the toilet over the supporting bolts and then place plastic nut, metal spacer, and nut.
5. Take care to align well the supply and drainage pipes with the sealing washers.
6. Tighten the nuts first by hand, both sides evenly one turn at the time, then half turn with a wrench.  
NOTE: DO NOT OVERTIGHTEN -- IT MAY DAMAGE THE PORCELAIN.
7. Finally, install decorative screw caps over bolts and seal the edges of the toilet with silicone.

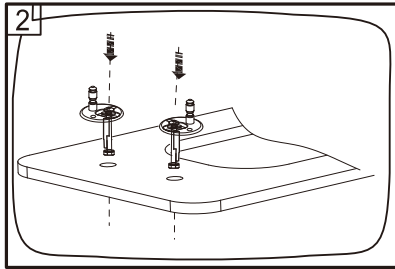


# Installation Instructions/Instrucciones de Instalación

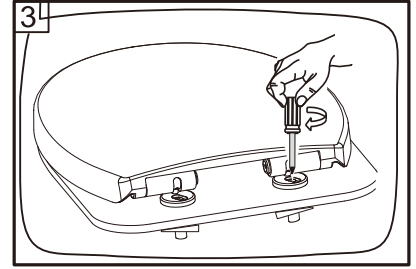
## Seat Installation/Adjustment



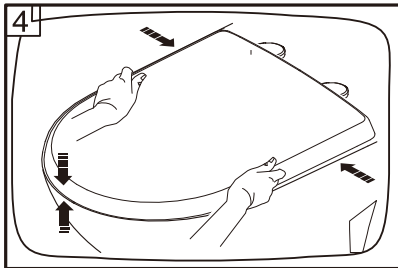
1 Put the clear plastic washers on the underside of preassembled seat hinges - make sure they align properly and prongs are inserted into the holes.



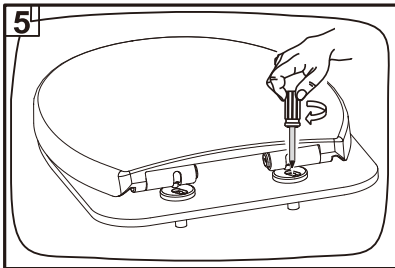
2 Insert the preassembled seat hinges into the holes on the toilet deck.



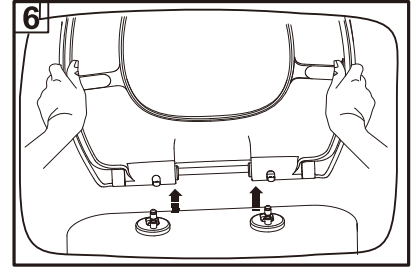
3 On the underside of the toilet deck, position the metal anchors horizontally, and tighten the assembly loosely with a screwdriver to align more or less with the seat.



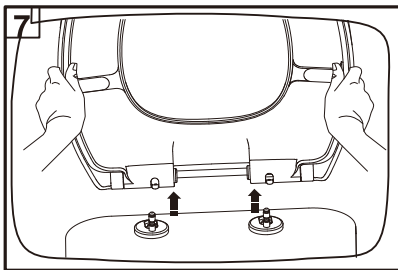
4 Align the toilet seat with the toilet deck



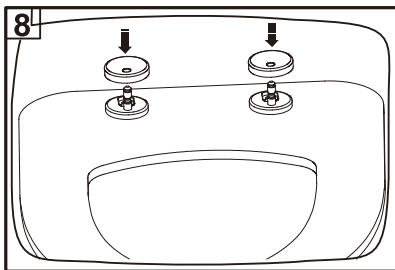
5 Screw the bolts securely.



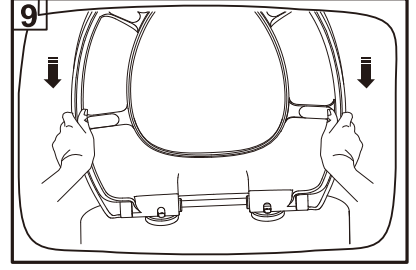
6 Insert the toilet seat fully into the anchors to test the alignment and operation.



7 Lift to remove the toilet seat. Make any necessary adjustments.



8 Put the hinge covers over the hinges.



9 Mount the toilet seat. Make sure the hinges are fully inserted into the holes in the seat.

# Cleaning and Care

For best results, please care for this product in accordance with the following instructions:

- Only use warm water and a mild detergent (i.e. dishwashing soap) for cleaning.
- If another cleaner is used, check the label to make sure that it is safe for use on the material being cleaned and always test in an inconspicuous area first.
- Make sure to wipe any excess cleaners off with a damp sponge or cloth and then rinse with water.
- Dry the surface with a soft cloth until dry after each use.
- Never use abrasive materials or cleaners that contain ammonia, bleach or acid, since they can cause damage to the finished surface.

*We would like to thank you for your purchase and are confident that you will be able to enjoy our products for many years to come!*

# Cuidado y Limpieza

Para mejores resultados, por favor cuide des este producto de acuerdo con las siguientes instrucciones:

- Sólo utilice agua tibia y un detergente suave (es decir, el jabón para lavar la vajilla) para la limpieza.
- Si se utiliza otro limpiador, revise la etiqueta para asegurarse de que es seguro para el uso del material para su limpieza y siempre prueba en un área discreta primero.
- Asegúrese de limpiar cualquier exceso de productos de limpieza con una esponja o un trapo húmedo y luego enjuague con agua.
- Seque la superficie con un paño suave hasta que se seque después de cada uso.
- Nunca use materiales abrasivos o productos de limpieza que contienen amoníaco, lejía o ácido, ya que pueden causar daños a la superficie acabada.

*¡Nos gustaría darle las gracias por su compra y estamos seguros que usted podrá disfrutar de nuestros productos por muchos años!*