

## Specifications:

<b>Installation:</b>	Wall hung
<b>Dimensions:</b>	14 3/8" w x 22" d x 14 3/8" h
<b>Material:</b>	Porcelain
<b>Flush System:</b>	Concealed in-wall dual flush
<b>Waste Outlet:</b>	Wall
<b>Bowl Shape:</b>	Oval
<b>Trap Diameter:</b>	3" ID, 4" OD
<b>Water Use:</b>	1.0 gpf
<b>Weight:</b>	54 lbs
<b>Finishes:</b>	MB - Matte black
<b>Includes:</b>	Support brackets for wall-hung toilets 111.847.00.1 with small contact surfaces (thin profiles)

**Must be installed on the carrier before wall is closed**



## Features:

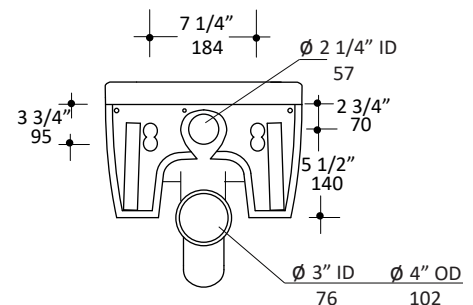
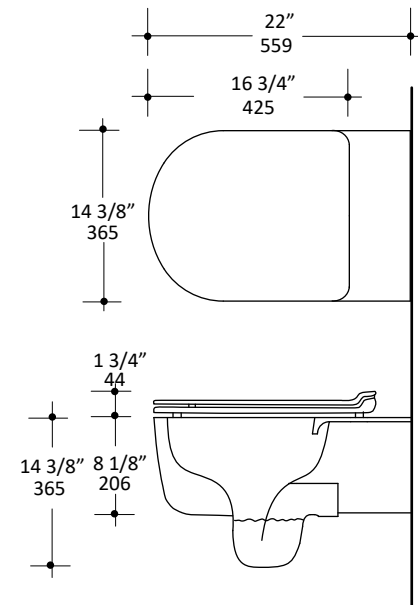
- Porcelain toilet with composite seat cover
- Requires concealed flushing system and flush actuator
- Soft closing seat and seat cover included
- Easy-clean porcelain finish
- Low consumption dual flush system - effective flush volume: 1.0 gpf
- MaP performance (Miso Rating): 1000g miso

## Codes + Standards:

- Meets and exceeds applicable national codes and standards
- CAL-Green compliant
- CEC compliant

**ADA**

compliant when installed to specific requirements of this regulation

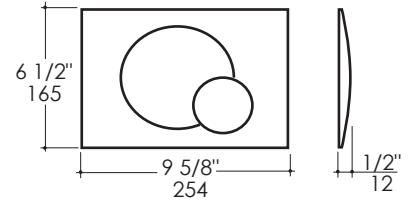


# REJUVENATION

## Dual-Flush Actuator

### Features:

- Dual-flush actuator
- Finish options: Polished Chrome & White



## Geberit In-Wall Tank

### Features:

- Tank and carrier system for wall-hung toilets
- Concealed installation
- Dual flush system 1.6 gpf and 0.8 gpf



### Product Specifications:

#### Notes:

Drawings provided herein are meant to give the user an idea of the product and are not made to scale. The size in inches is rounded up to the nearest 1/16". Slight variances can often occur with porcelain and woodwork.

