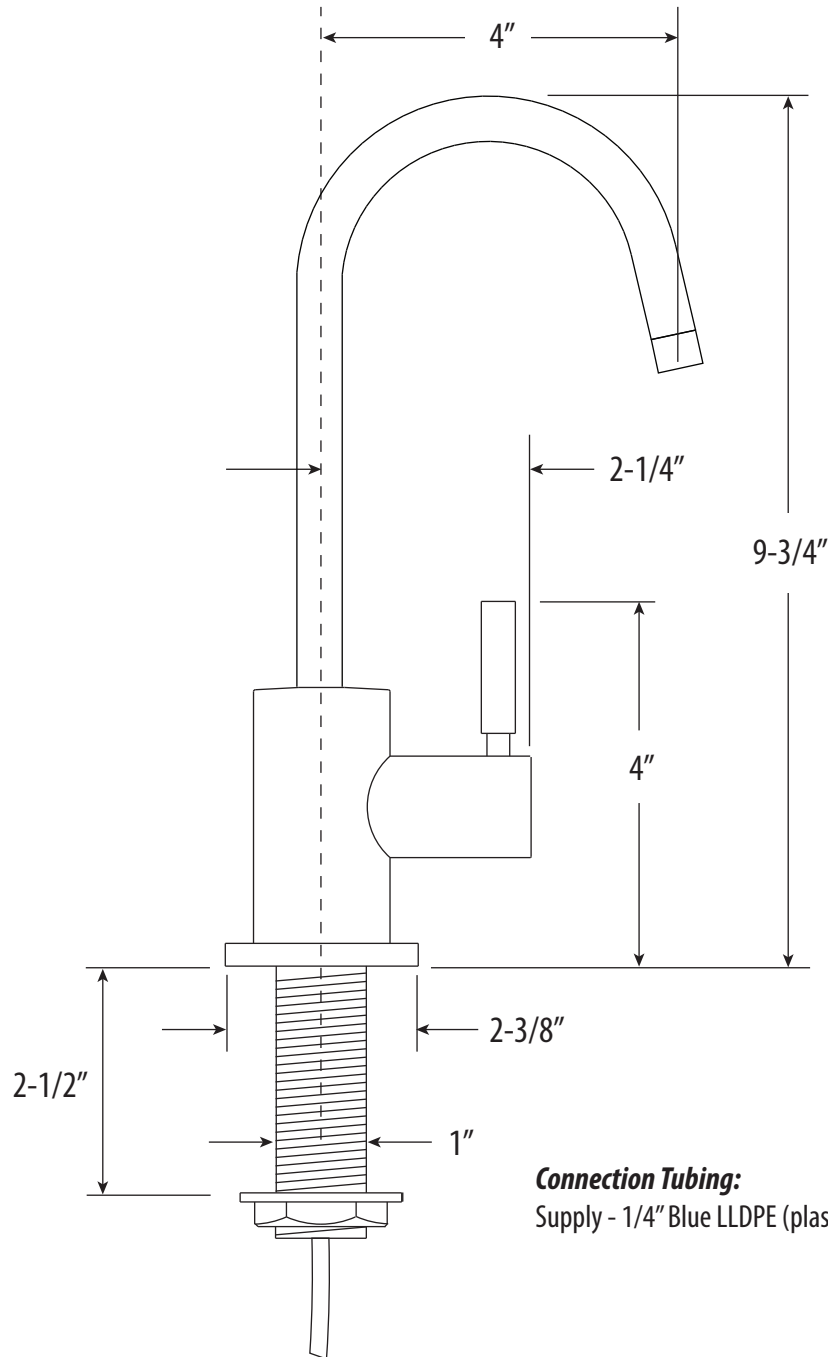


PARCHE COLD ONLY FILTRATION FAUCET

1400C

- MAX COUNTER THICKNESS 2-1/2"
- INSTALL HOLE SIZE ADAPTABLE UP TO 1-3/8"



DIMENSIONS MAY VARY AND ARE SUBJECT TO CHANGE. NO RESPONSIBILITY IS ASSUMED FOR USE OF SUPERCEDED OR VOIDED DATA



FILTRATION FAUCET INSTALLATION INSTRUCTIONS

Model #s:

1100
1150
1200
1250
1202
1252
1400
1425
1450
1455
1700
1750
1900



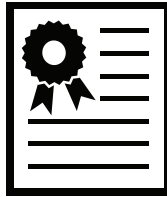
BEFORE YOU BEGIN YOUR INSTALLATION:

1



Turn off water supply.

2



Observe all local plumbing codes.

3



Inspect waste and water supplies for signs of damage. Replace as necessary.

4



DO NOT use petroleum based products on this faucet.

REQUIRED TOOLS:



1. Adjustable Wrench

PARTS INCLUDED:

**XX represents finish*

COLD ONLY
 HK-CFF-XX*
 COLD ONLY FILTRATION
 HARDWARE KIT

HOT ONLY
 HK-FBF-XX*
 HOT ONLY FILTRATION
 HARDWARE KIT

HOT / COLD
 HK-FBF-XX*
 HOT/COLD FILTRATION
 HARDWARE KIT

LIFETIME WARRANTY

All Waterstone products manufactured by Waterstone carry a **Limited Lifetime Guarantee** against functional defect in material or workmanship in a residential application. Consult with an authorized Waterstone dealer for complete information about our warranty.

WARNING - Since 2005, Waterstone has continued to advise all of our customers against the installation of any brand of in-line water chiller unit with our faucets. Compressor style chiller units have been proven to arbitrarily exceed the standard household in line pressure ratings causing the faucet inlet connection line to burst and create the potential for water damage claims in the field.

USE OF AN IN-LINE INSTALLATION OF A WATER CHILLER WITH A WATERSTONE FAUCET OF ANY KIND WILL VOID OUR WARRANTY.

Waterstone can not and will not be held liable for damages created by a use for which our products were not designed. Waterstone will only recommend the installation of a water chiller in the vented side (in place of a hot tank) with one of our Hot or Hot & Cold Filtration faucet models.

For any questions or concerns about your faucet's warranty, contact Waterstone.
 1-888-304-0660
 www.waterstoneco.com

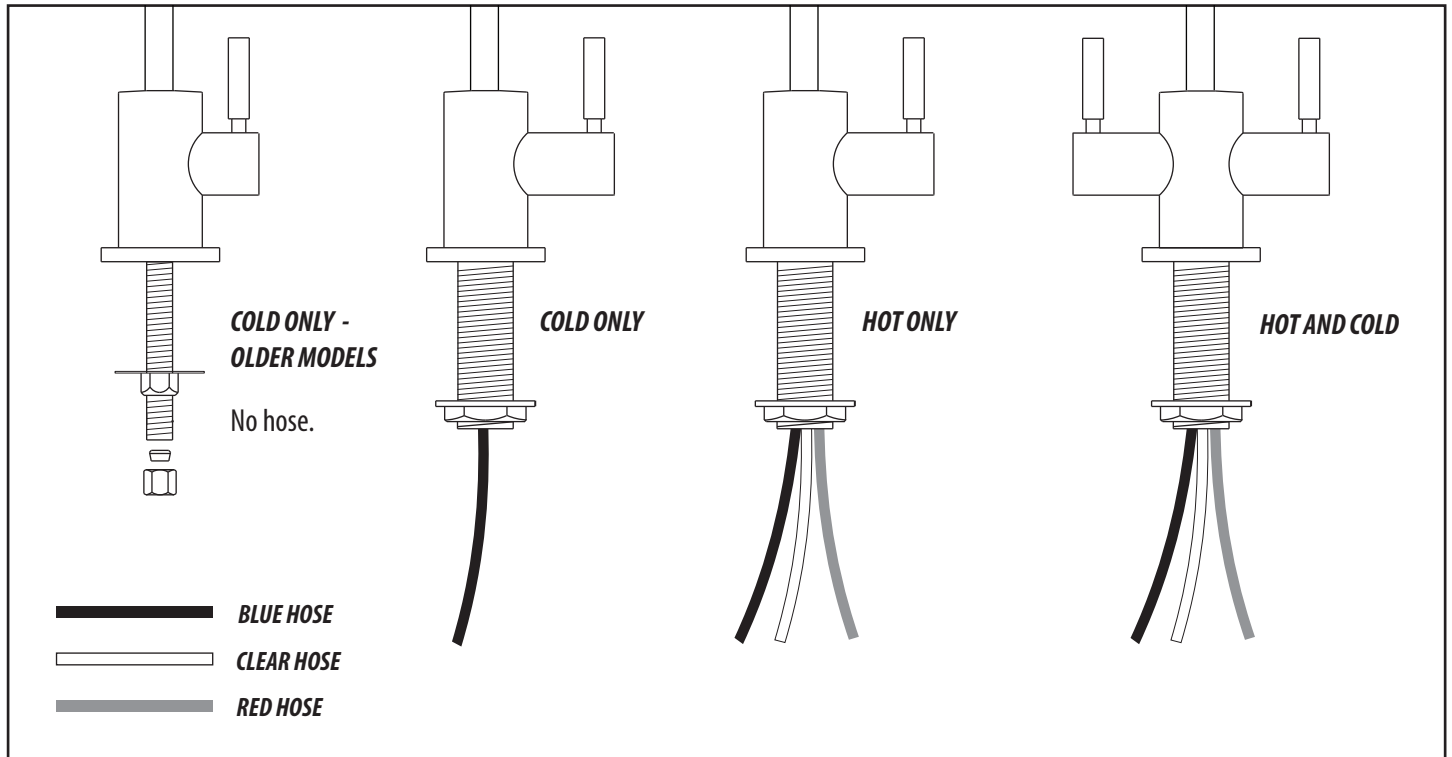
UNDER SINK SYSTEMS

To complete your water filtration system, Waterstone recommends adding our Multi-Stage Filtration Unit and a Insta-Hot Tank. Along with your Waterstone Filtration Faucet, create the ultimate under sink water purification system. Systems are sold separately.

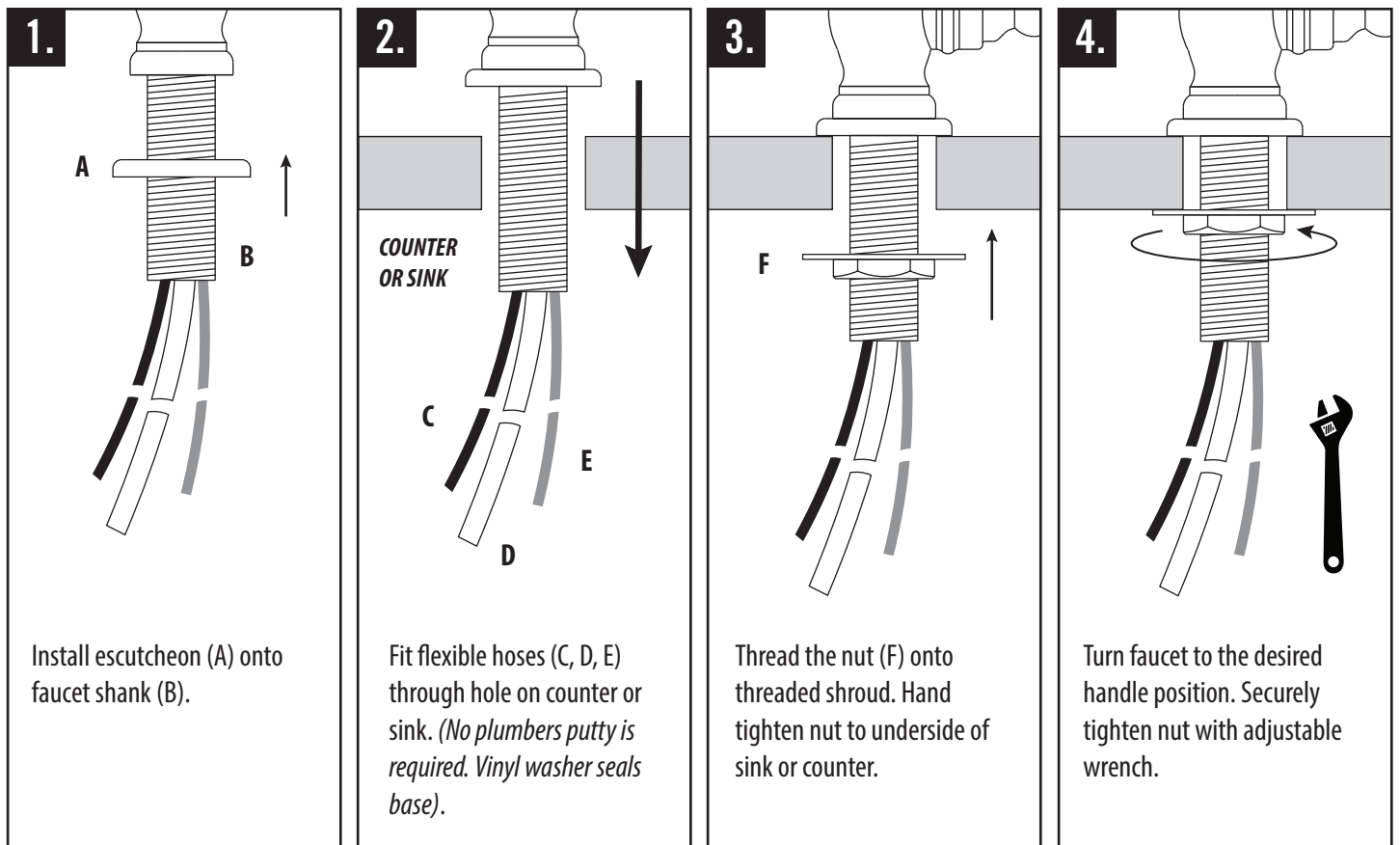


HOSE CONFIGURATIONS

Waterstone offers three types of filtration faucets - Cold Only, Hot Only and Hot/Cold. Each model has it's own unique hose configuration. The faucets can be connected to a water filtration system and/or an instant hot water tank.

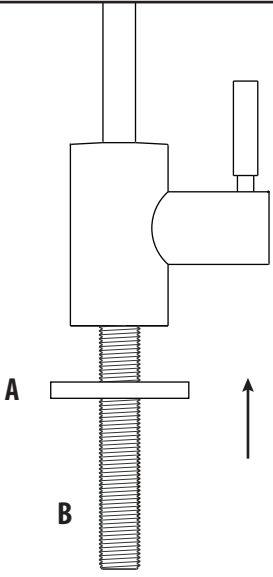


FILTRATION FAUCET INSTALLATION



COLD ONLY FILTRATION FAUCET INSTALLATION (OLDER MODELS)

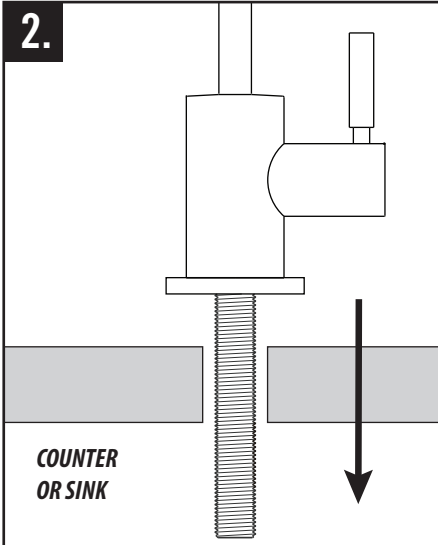
1.



A
B

Slide escutcheon plate (A) onto threaded shroud (B) and up to base of faucet.

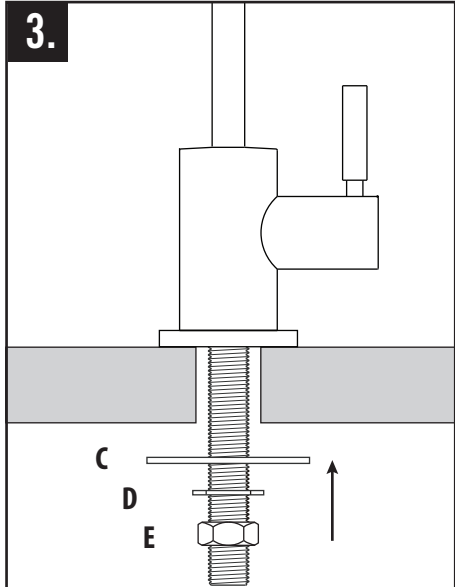
2.



COUNTER OR SINK

Fit faucet shank through hole on counter or sink. (No plumbers putty is required. Vinyl washer seals base).

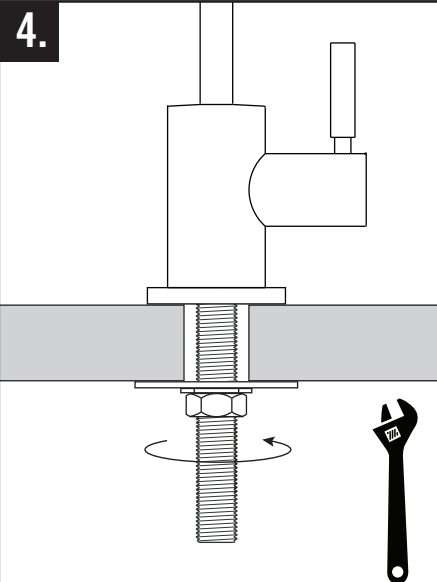
3.



C
D
E

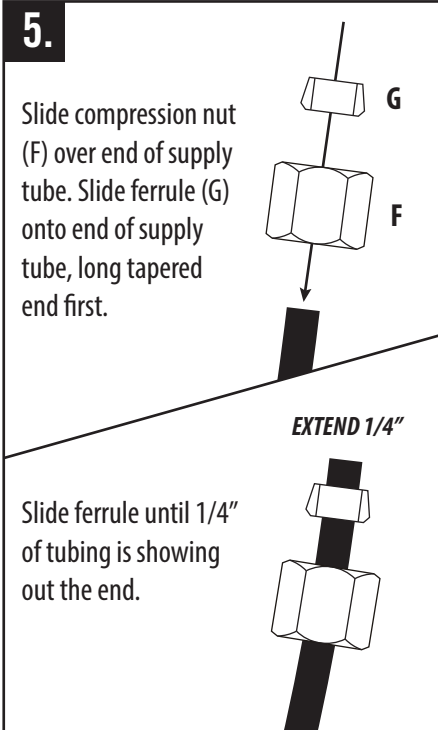
Slide large washer (C) and star lock washer (D) onto shank. Thread the nut (E) and hand tighten underside of sink or counter.

4.



Turn faucet to the desired handle position. Securely tighten nut with adjustable wrench.

5.



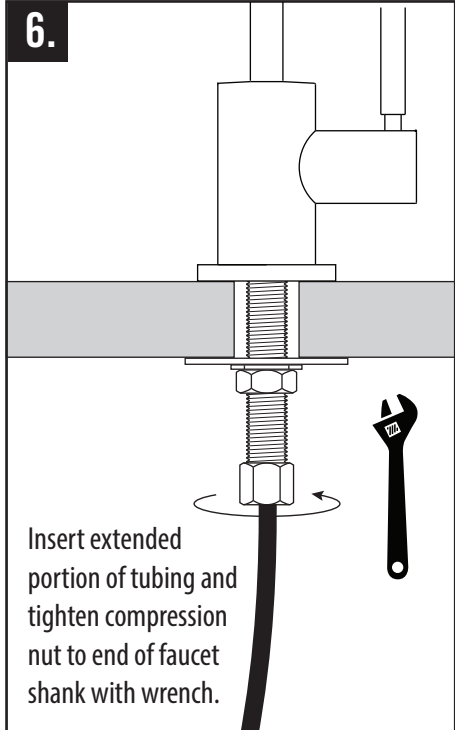
G
F

Slide compression nut (F) over end of supply tube. Slide ferrule (G) onto end of supply tube, long tapered end first.

EXTEND 1/4"

Slide ferrule until 1/4" of tubing is showing out the end.

6.



Insert extended portion of tubing and tighten compression nut to end of faucet shank with wrench.

FILTRATION UNDER SINK SYSTEM

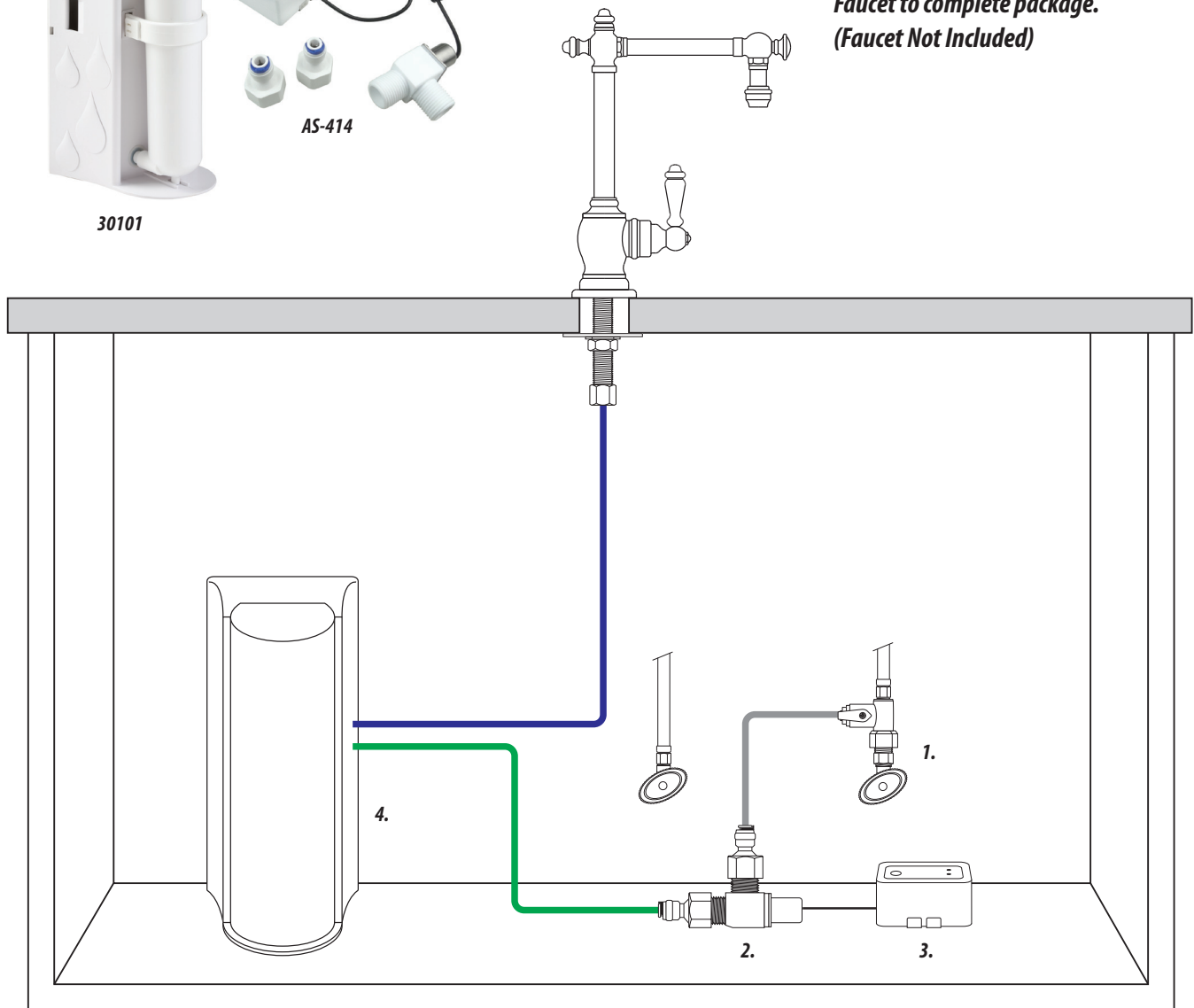
Model # 3000



Product Description

- Filtration Under Sink System includes:
- #30101 Multi-Stage Filtration System
 - #AS-414 Safety/Leak Detection Valve
 - Connection fittings included as shown

Add a Waterstone Cold Only Filtration Faucet to complete package. (Faucet Not Included)



1. COLD WATER SOURCE
2. #AS-414 SAFETY VALVE

3. MOISTURE SENSOR
4. #30101 FILTRATION SYSTEM