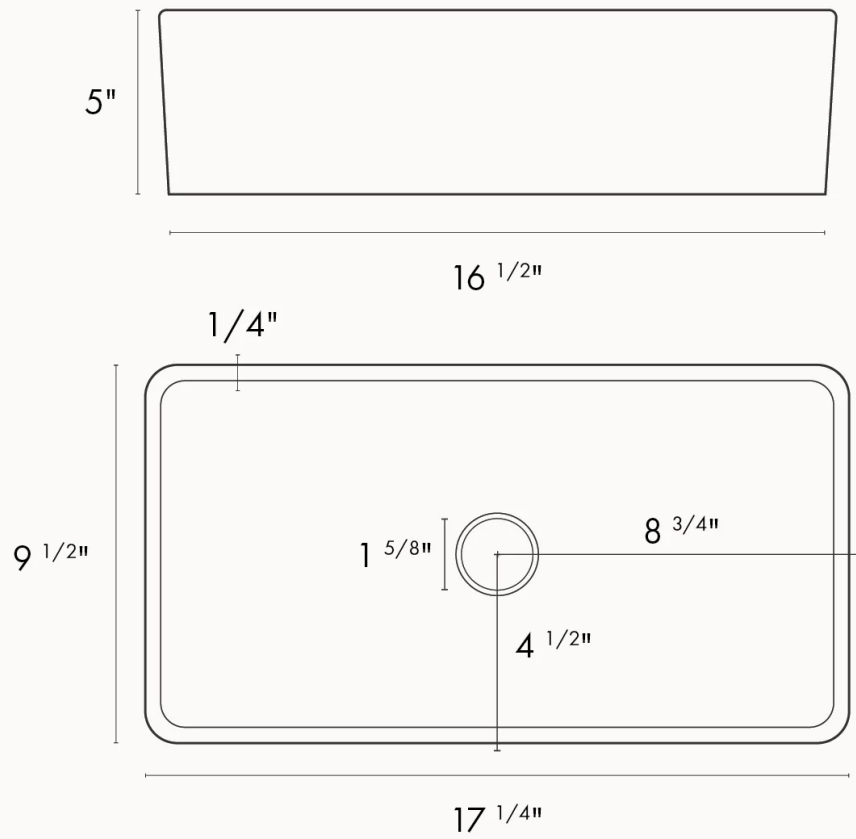
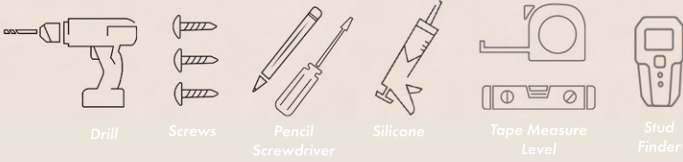


RENO



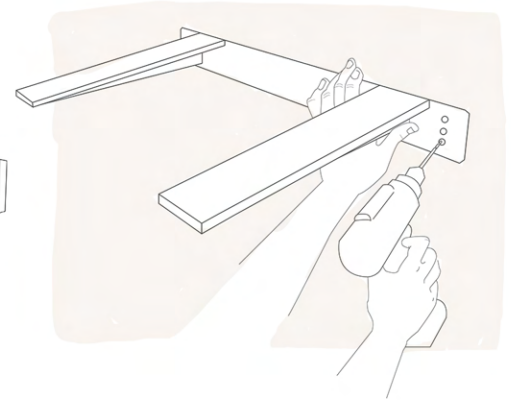
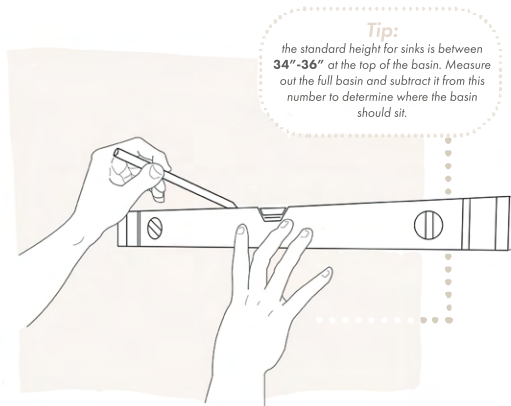
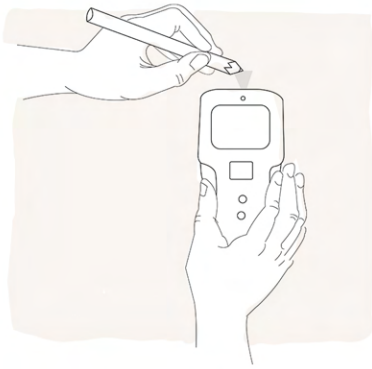
CONCRETI

INSTALLATION GUIDE



Make sure your wall is suitable for wall mounting! You may need to reinforce your wall before installing your new sink. Please consult a professional to make sure your rough in is up to code, as installing a wall mounted sink requires plumbing knowledge. All measurements are approximate. We recommend waiting to receive all items prior to installation.

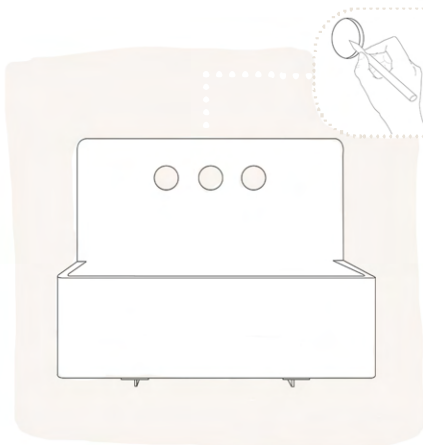
WARNING: do not use tape on sink's surface, this may cause damage to the sealant.



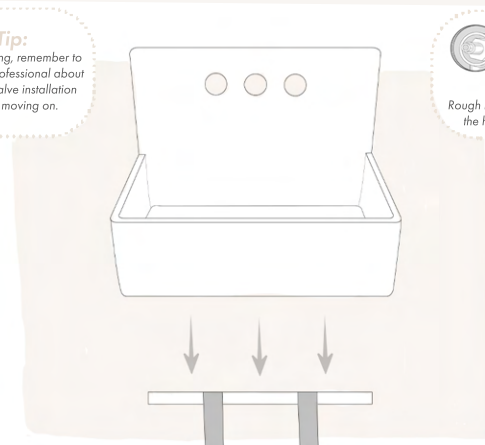
1 Use the stud finder to find a suitable fixing point for your brackets. Then measure where you want the bottom of the basin to go, as well as the center of the sink.

2 Remark the area where the bottom of your basin will go with a level and pencil. This will be your guide as to where the top of the bracket will sit.

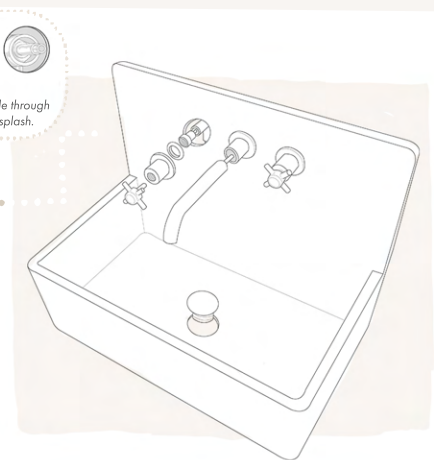
3 Hold the bracket up to the line and mark the holes with a pencil. Once you are sure the placement is correct, affix the bracket onto your wall with the correct bolts for your wall.



Tip: After marking, remember to consult a professional about rough in valve installation before moving on.



Tip: Rough in valve should be visible through the holes drilled in the backplash.

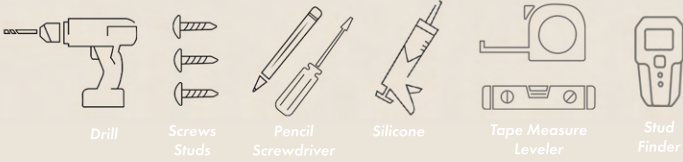


4 Place sink on bracket to accurately mark faucet holes with pencil. Do not glue down yet! After marking, remove sink and consult professional for rough in installation.

5 Once rough in valve installation is complete, apply a generous amount of 100% silicone to top of bracket. Place sink on top, making sure it is aligned with rough in valve for faucet. Remove any excess silicone with microfiber towel.

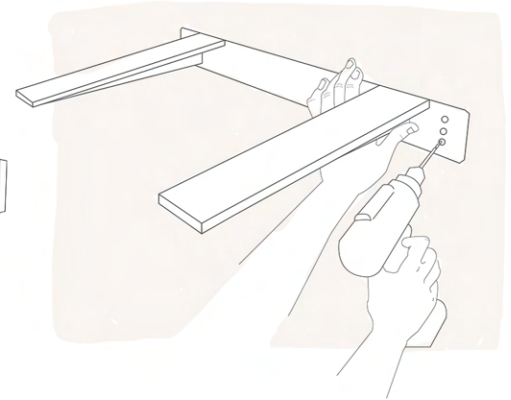
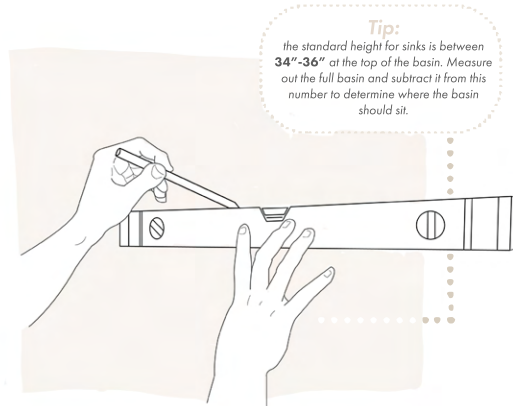
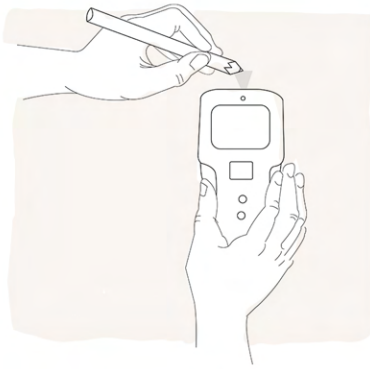
6 Once silicone is dried and sink is tightly secured to wall bracket, you may finish attaching faucet, drain, and bottle trap.

INSTALLATION GUIDE



Make sure your wall is suitable for wall mounting! You may need to reinforce your wall before installing your new sink. Please consult a professional to make sure your rough in is up to code, as installing a wall mounted sink requires plumbing knowledge. All measurements are approximate. We recommend waiting to receive all items prior to installation.

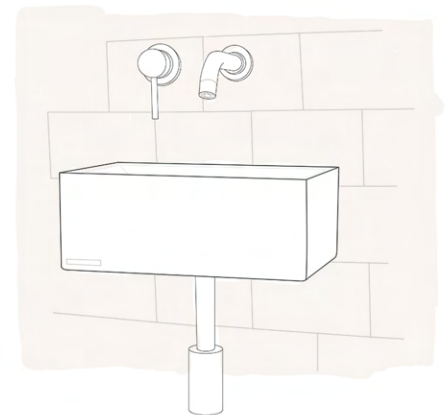
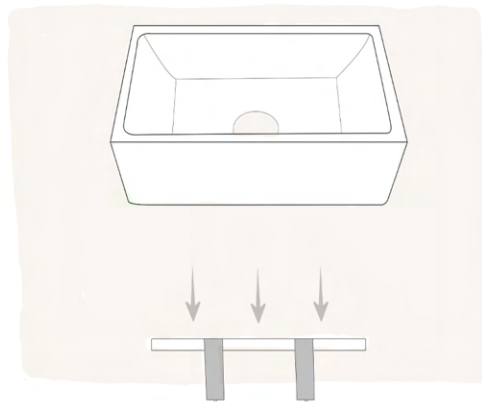
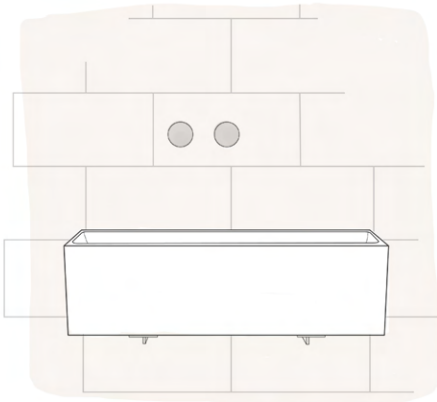
WARNING: do not use tape on sink's surface, this may cause damage to the sealant.



1 Use the studfinder to find a suitable fixing point for your brackets. Then measure where you want the bottom of the basin to go, as well as the center of the sink.

2 Remark the area where the bottom of your basin will go with a level and pencil. This will be your guide as to where the top of the bracket will sit.

3 Hold the bracket up to the line and mark the holes with a pencil. Once you are sure the placement is correct, affix the bracket onto your wall with the correct bolts for your wall.



4 Place sink on bracket to accurately mark the faucet centerline with a pencil, but do not glue down the sink yet. After marking, remove sink and consult a plumber for faucet installation.

5 Once faucet installation is complete, apply a generous amount of 100% silicone to top of bracket. Place sink on top, making sure it is aligned with the faucet. Remove any excess silicone with microfiber towel.

6 Once silicone is dried and sink is tightly secured to wall bracket, you may finish attaching the drain, and bottle trap.

INSTALLATION GUIDE



100% Silicone



Carpentry Tools



Level

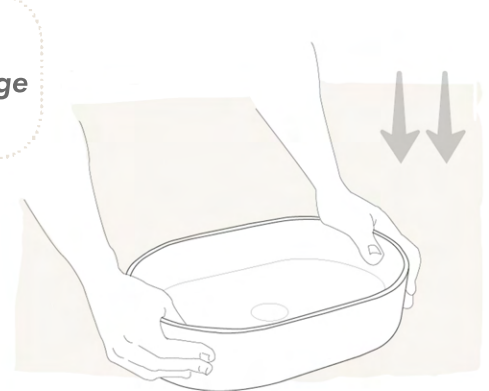
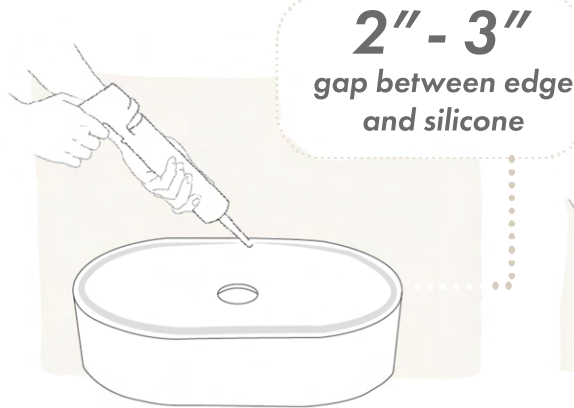


Measuring Tape

Installing a concrete sink is different from installing a porcelain sink. Please read all instructions carefully as you proceed, for the best and most long lasting results.



WARNING: do not use tape on sink's surface, this may cause damage to the sealant.



1

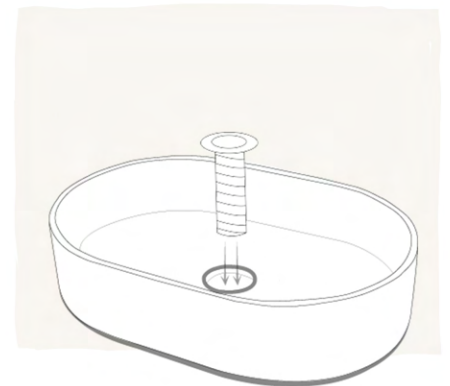
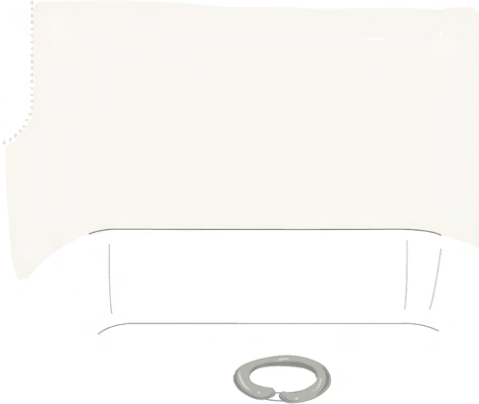
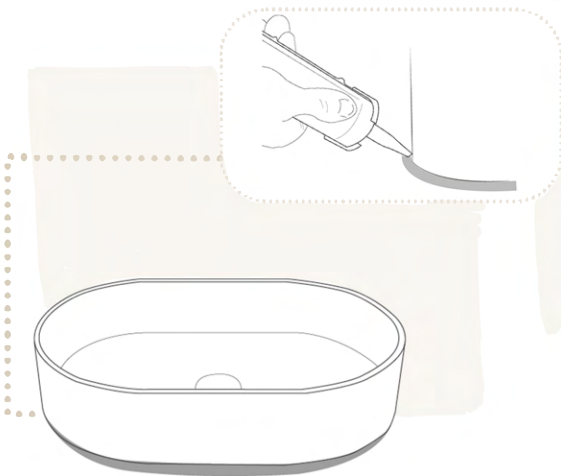
Make sure your surface top and sink are both clean.

2

Apply an even amount of 100% silicone to the underside of sink and ensure a 2" - 3" gap between edge and silicone. Carefully wipe away any excess.

3

Be sure to align sink with drain hole. Once aligned, press down into basin or bench top. Remove excess silicone with a microfiber cloth.



4

Run clear silicone around the base of the sink to fill any gaps. Smooth with wet cloth and wipe clean.

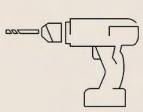
5

Generously apply plumbers putty to the drain opening.

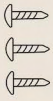
6

Slide the drain into place. Hand tighten. Push plumbers putty between the drain and the sink. Wipe clean and smooth. Let dry for at least 24 hours.

INSTALLATION GUIDE



Drill



Screws
Studs



Pencil
Screwdriver



Silicone



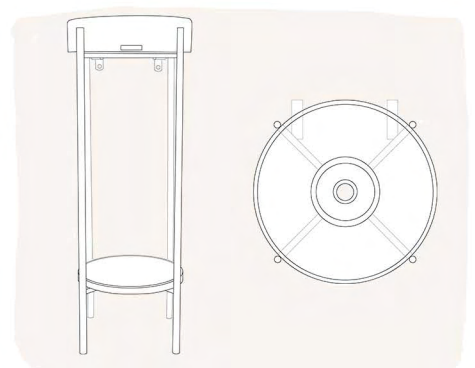
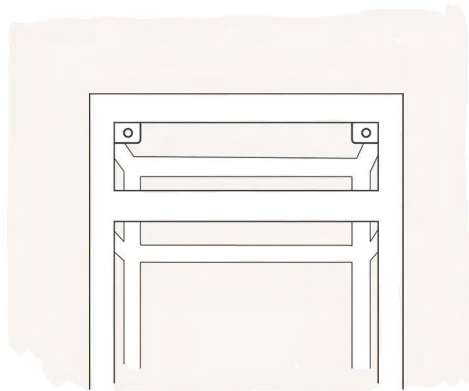
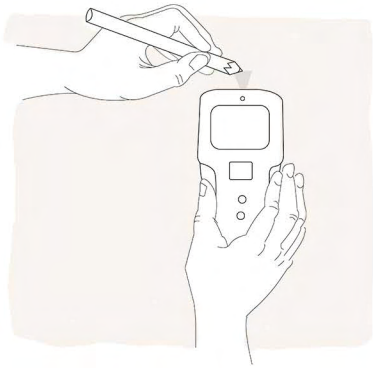
Tape Measure
Leveler



Stud
Finder



Make sure your wall is suitable for wall mounting! You may need to reinforce your wall before installing your new console. Consoles can be top heavy after the sink is installed.



1

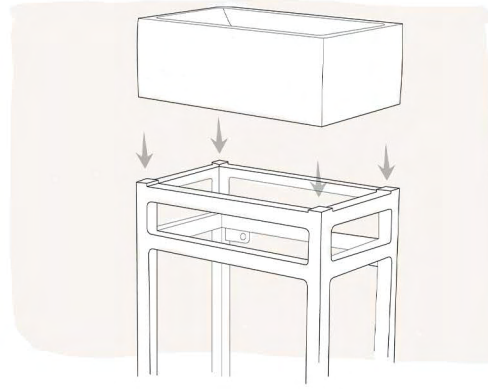
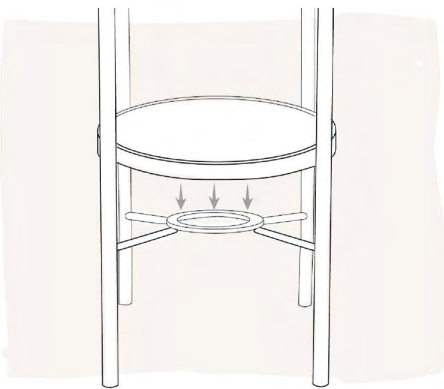
Use the studfinder to find a suitable fixing point for your console. This step is very important because consoles can be top heavy.

2

Once you are sure your wall can support your console, locate the holes in the back in order to bolt it to the wall.

3

Depending on the space where your console is located you may want to affix the bottom shelf to the frame.



4

Apply silicone to the bottom of the shelf, then, carefully affix the shelf to the consoles frame.

5

Apply silicone to the bottom of the sink, then, carefully affix it to the top of the console.

6

Congratulations, you have installed your new console. You may now install your plumbing fixtures.