

SPEAKMAN® S-1495-AF

Exposed Anti-Scald Balanced Pressure Shower

FEATURES:

- Sentinel Mark II exposed anti-scald balanced pressure Shower.
- Brass lever handle.
- Adjustable temperature limit stop.
- Chrome plated cast brass body.
- Pressure balancing & ceramic temperature regulating cartridge with built-in check valves.
- 1/2 in. NPTF inlets.
- Vandal-resistant standard.
- Exposed anti-scald balanced pressure shower.
- Adjustable stops and supply connections from floor, ceiling or wall.
- 7-1/2 in. center to center.
- Polished chrome plated brass gooseneck with supporting strap.
- S-2252 showerhead with flow control device reduces flow to 2.5 gpm (9.46 L/min) maximum

FINISH:



PC

COMPLIANCE:

- Valve meets ASSE 1016 standard and ASME A112.18.1/CSA B125.1 standard.
- Showerheads meet ASME A112.18.1/CSA B125.1 standard.

OPTIONS: Add suffix to model

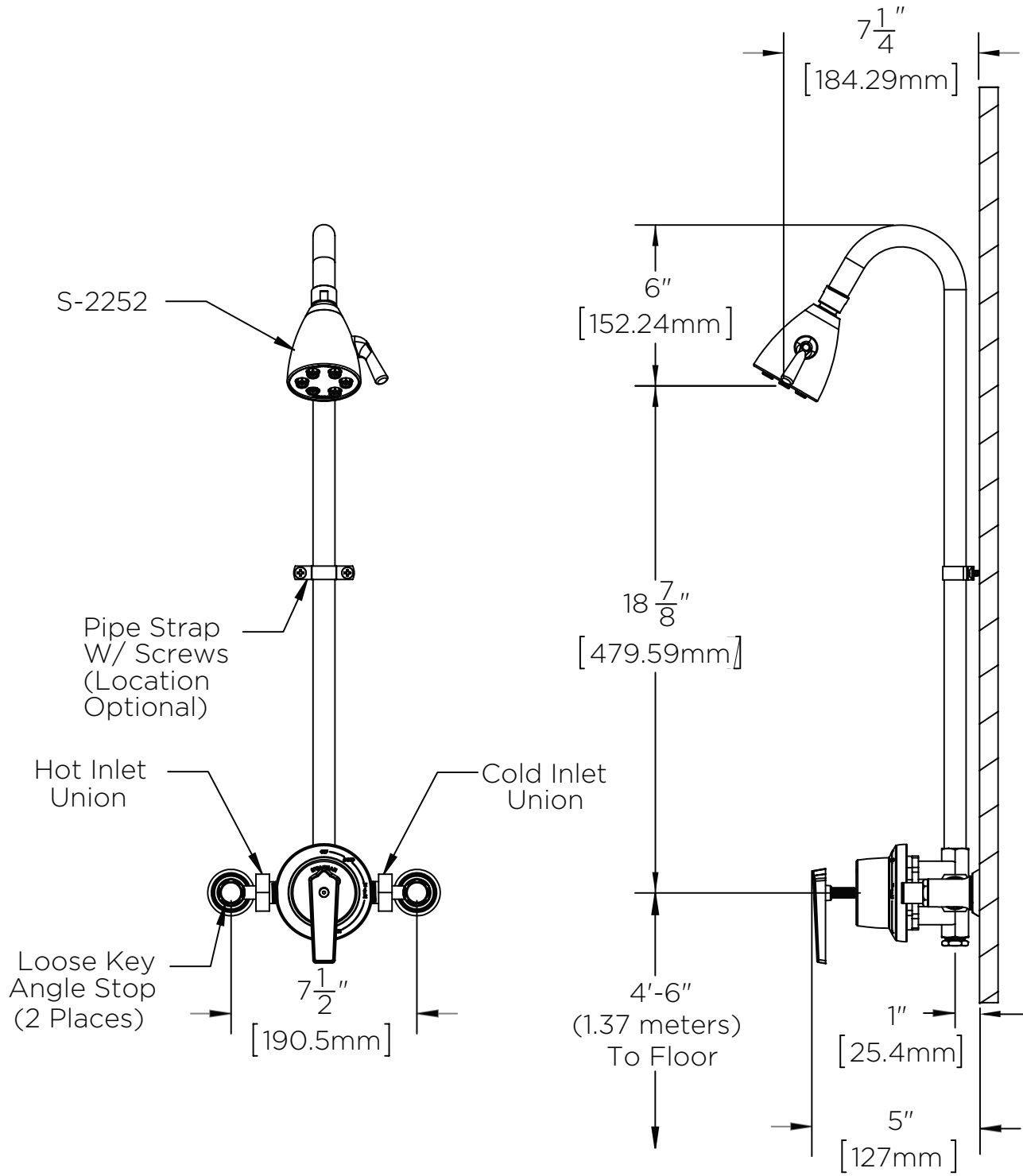
- Less showerhead -LH
- S-2251 showerhead -1
- S-2253 showerhead -3
- S-2272-E2 showerhead -5

WARRANTY:

- Shower Head: 1 year limited
- Valve: 5 year limited

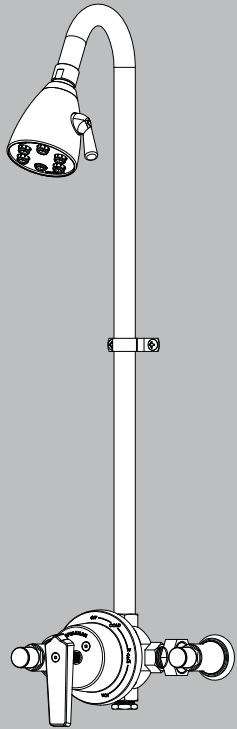


DIMENSIONS: NOTE: 1. Dimensions shown above are for the installation inclusive of the S-2252 showerhead. Dimensions will vary slightly depending on showerhead choice. 2. Dimensions are subject to change without notice. 3. Unit can also be installed using a ceiling or floor supply.



INSTRUCTIONS FOR MODELS

S-1495



* S-1495-AF shown. Showerhead may vary between models.

NEED HELP?

For additional assistance or service please contact:

SPEAKMAN® Company

400 Anchor Mill Road
New Castle, DE 19720

800-537-2107

customerservice@speakmancompany.com

www.speakmancompany.com

92-S-1495-R3



IMPORTANT



Freeze damage to the shower unit will void the warranty. It is important to winterize the complete shower unit. The unit must be drained of all water in freezing conditions. This includes removing the valve cartridge and the showerhead from the unit. Store the valve cartridge and showerhead indoors.



Caution- When outdoor temperature rise above 90 degrees, use caution to prevent scalding from water stored within the unit. It is recommended to flush the unit by turning it on for 30 seconds before entering the shower water. This will avoid accidental scalding by the user and ensure safe use of the shower unit.

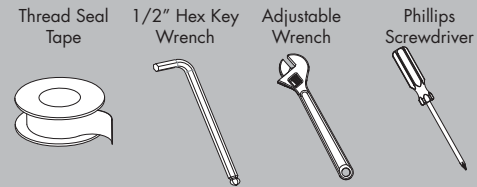
SAFETY TIPS

Cover your drain to prevent loss of parts. Be sure to always wear proper eye protection.

SERVICE INSTRUCTIONS

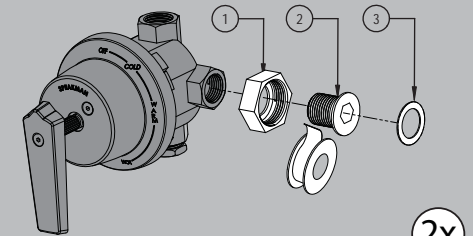
- 1) Shut off the hot & cold water supplies to the valve. Remove the handle screw & handle. Remove trim plate screw & trim plate.
- 2) With the valve in the OFF position, remove the (4) valve bonnet screws. Carefully remove the bonnet.
- 3) If necessary, remove the balancing/regulating cartridge from the valve body by pulling on the valve spindle or the blue cap of the cartridge. Make sure the lower rubber quad rings (2) are installed in the bottom of the cartridge and not in the valve body.
- 4) Replace the necessary parts with new parts. When replacing the balancing/regulating cartridge, make sure that the rubber quad-rings (2) are properly installed in the recesses on the bottom of the cartridge. These quad-rings seal over the hot & cold inlet holes inside the body. When replacing the cartridge, make sure the "H" on the cartridge cover is on the hot supply side and the "C" on the cartridge cover is on the cold supply side.
- 5) Make sure the large bonnet O-ring seal is installed and seated properly in the valve body. Reassemble the valve bonnet, making sure the "UP" on the bonnet is in the up position. Tighten the (4) bonnet screws. Turn ON the hot & cold water supplies. Check valve for leaks.
- 6) To limit the maximum hot water temperature the valve delivers, adjust the valve's temperature limit stop (TLS) plate. Slip the retaining O-ring and the TLS plate towards the end of the spindle. Rotate the valve handle clockwise to the maximum desired hot water temperature. Position the TLS plate so it contacts the lug on the valve bonnet and therefore restricts the clockwise rotation of the handle. Slip the retaining O-ring back into the groove of the spindle. Turn off the valve and remove the handle.
- 7) Reassemble the trim parts, reversing the above procedure.

TOOLS AND SUPPLIES



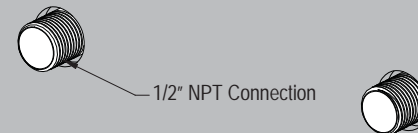
3

If the components in Step 2 did not stay together, insert the Union Adapter (2) into the Union Nut (1), followed by the Union Washer (3). After applying Thread Seal Tape to the Union Adapter, thread the assembly into the COLD Inlet. Tighten with a 1/2" Allen Wrench. Repeat for HOT Inlet.



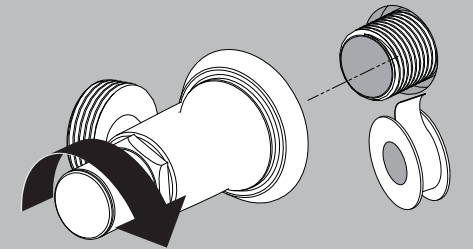
1

Install the HOT and COLD supply lines for the Valve, either through the wall, from the ceiling, or from the floor. For ceiling and floor mounts, hold 1" from finished wall to center of supply lines. See rough-in diagram on last page.



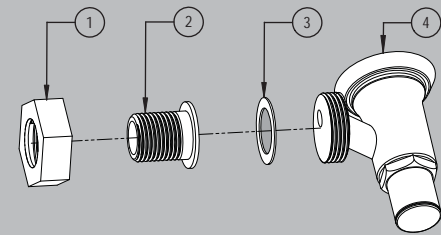
4

Retrieve the Union Body. After the application of Thread Seal Tape, thread the Union Body onto the COLD supply line and tighten with the Adjustable Wrench. Repeat for HOT supply.



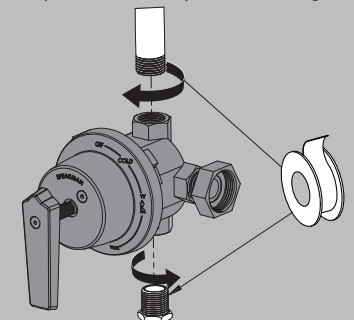
2

Disassemble the two Unions. Start by loosening the Union Nut (1). The Union Adapter (2) and Union Washer (3) usually stay affixed to the Union Nut. Place the Union Body (4) to the side.

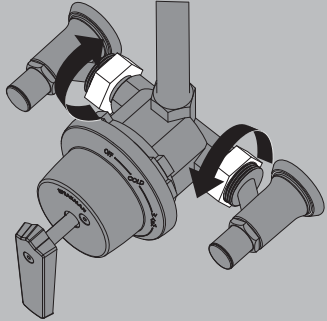


5

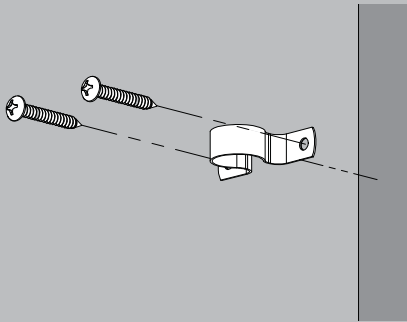
Apply Thread Seal Tape to both ends of Shower Arm Gooseneck, and Bottom Plug. Thread Shower Arm Gooseneck into Valve Body being sure to properly align outlet. Install Plug into bottom part of Valve Body and wrench tighten.



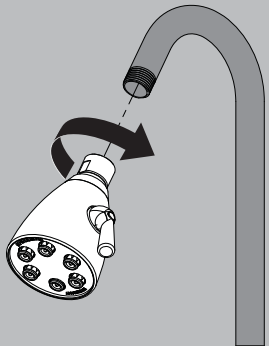
- 6** Insert the Valve Assembly between the installed Union Bodies. Thread Union Nuts onto Valve Body and wrench tighten, being sure Shower Arm Gooseneck is in a true vertical position. Turn on water supply and check for leaks.



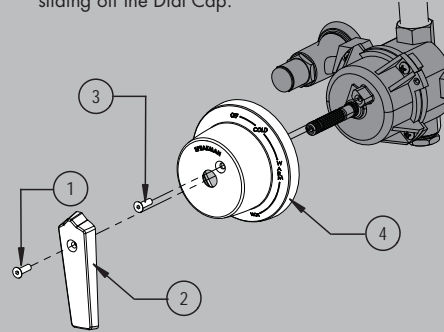
- 7** Install Wall Bracket to upper pipe using Supplied Screws. Mounting location is optional. In drywall or tile applications, be sure to use appropriate hardware.



- 8** Thread included showerhead onto the Gooseneck and wrench tighten.
NOTE: Showerhead may differ from illustration.

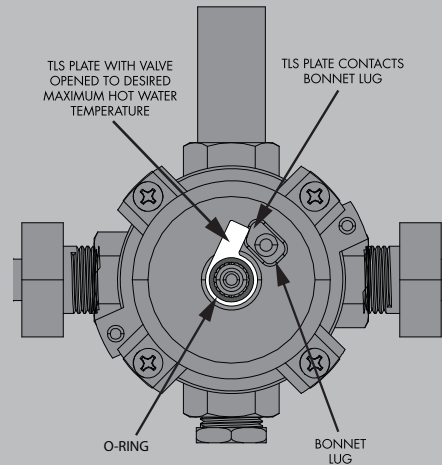


- 9** The Handle and Dial Cap must be removed to adjust the Temperature Limit Stop. Remove the Handle Screw (1), then slide the Handle (2) off. Remove the Dial Cap Screw (3) followed by sliding off the Dial Cap.

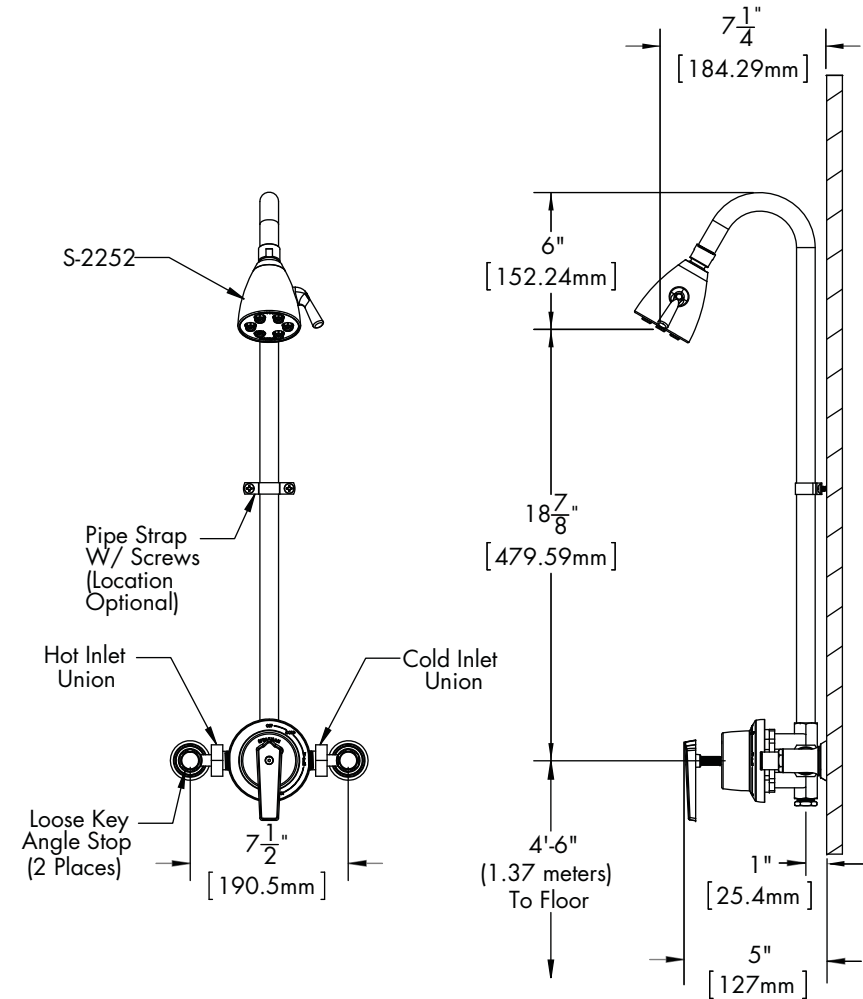


- 10** To limit the maximum hot water temperature the valve delivers, adjust the valve's temperature limit stop (TLS) plate as shown below.

- 1) Slip the retaining O-ring and the TLS plate towards the end of the spindle.
- 2) Rotate the valve spindle clockwise to the maximum desired hot water temperature.
- 3) Position the TLS plate so it contacts the lug on the valve bonnet and therefore restricts the clockwise rotation of the spindle.
- 4) Slip the retaining O-ring back into the groove of the spindle to hold the TLS plate in position.
- 5) Rotate the spindle counter clockwise to the "Off" position.



ROUGH-IN DIAGRAM



ADDITIONAL NOTES:

- Dimensions shown above are for the installation inclusive of the S-2252 showerhead. Dimensions will vary slightly depending on showerhead choice.

- Dimensions are subject to change without notice.

- Unit can also be installed using a ceiling or floor supply.