

# REJUVENATION

www.rejuvenation.com

## ASSEMBLY INSTRUCTIONS

### Shaw Coffee Table

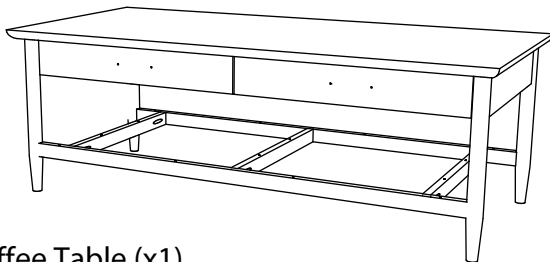


#### Hardware List:

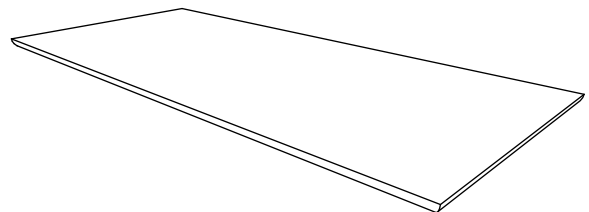


1-1/4" Wood Screw (x14)

#### Pieces List:



Coffee Table (x1)



Shelf (x1)

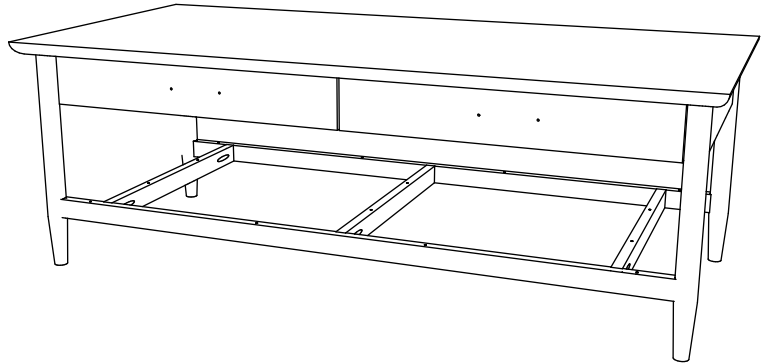
# REJUVENATION

www.rejuvenation.com

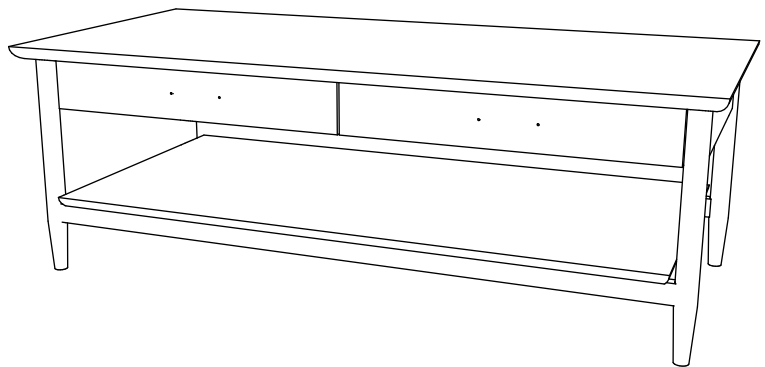
## ASSEMBLY INSTRUCTIONS

### Shaw Coffee Table

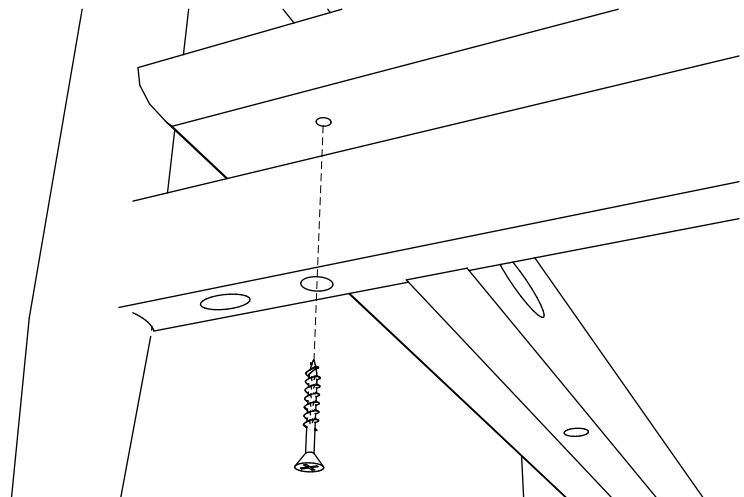
1. Place coffee table on a sturdy surface



2. Remove shelf from the shipping foam and place on stretchers.



3. Align pilot holes with the countersunk holes that have been drilled into the stretchers.



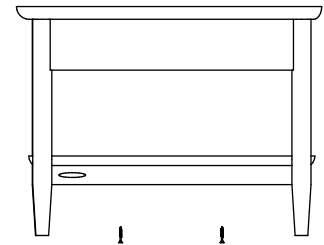
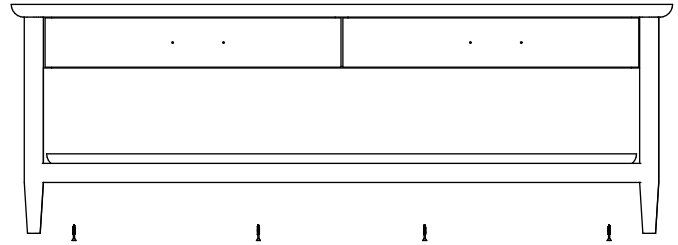
# REJUVENATION

www.rejuvenation.com

## ASSEMBLY INSTRUCTIONS

### Shaw Coffee Table

- Loosely screw all wood screws into the shelf through the stretcher holes.
- Once all screws are in place, tighten them securely in place.
- Install drawer pulls (purchased separately)
- Use levellers to stop any rocking
- Enjoy your new coffee table.



Screw Hole Locations:

