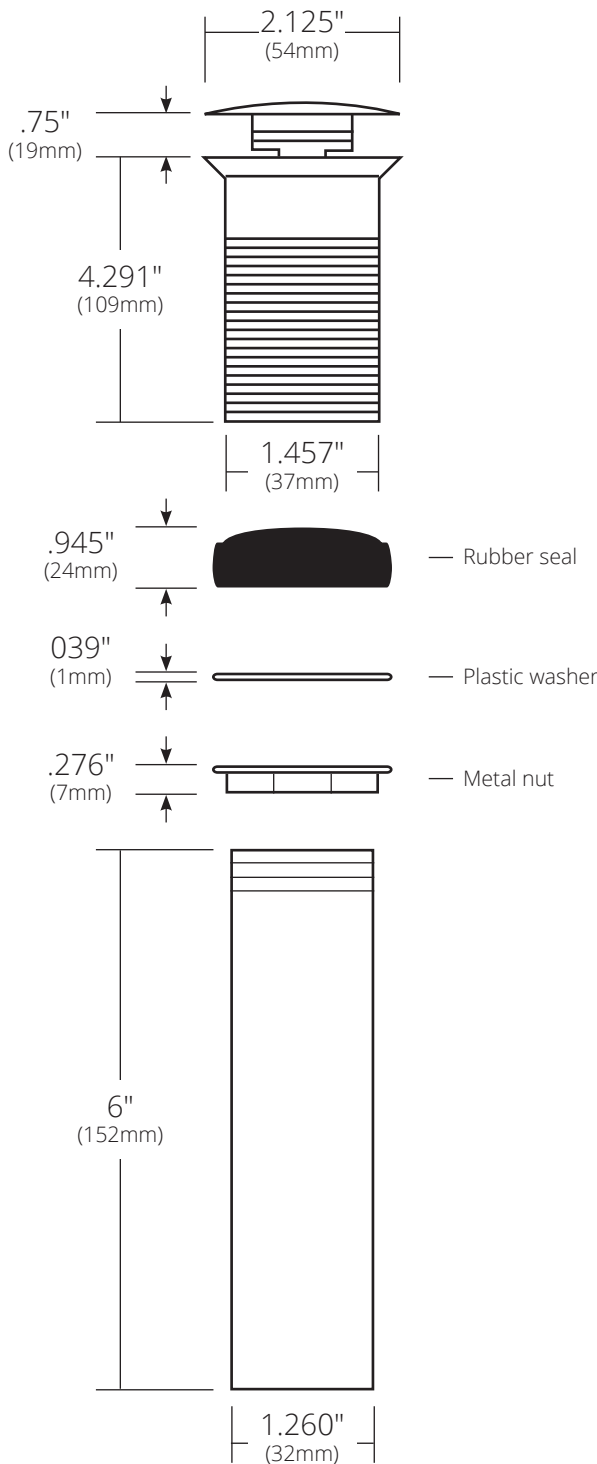


SPECIFICATIONS

1.5" PUSH TO SEAL DOME DRAIN

Lavatory



- DR130-BG Brushed Gold
- DR130-BN Brushed Nickel
- DR130-CH Chrome
- DR130-MB Matte Black
- DR130-ORB Oil Rubbed Bronze
- DR130-PN Polished Nickel
- DR130-WC Weathered Copper

PRODUCT DETAILS

- Fits 1.5" (38mm) drain opening
- Easy operation – push to seal and simply push again to release
- Compression seal closes drain completely for excellent performance
- Elegantly covers entire drain area of basin while also providing for superior water flow
- Maximum threading for easy installation
- All exposed parts are plated
- Overall length when assembled is 9.25" (235mm)
- UPC/cUPC compliant

COORDINATING PRODUCTS

- Lavatory basin with 1.5" (38mm) drain opening

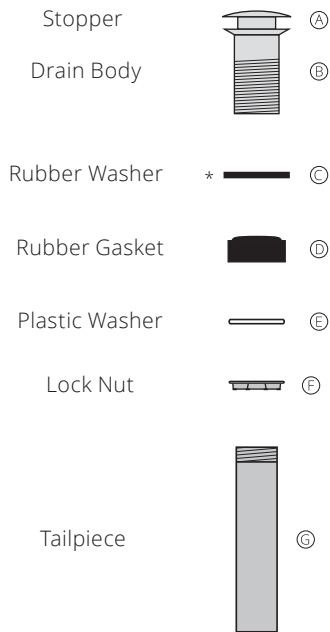
General Instructions:

- We strongly recommend this product be installed by a professional installer.
- Disassemble and account for all pieces shown in "Parts Included" section.
- Drain intended to be used in sink without overflow

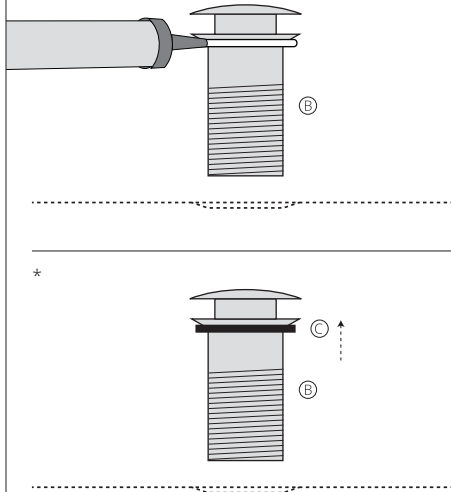
Materials Recommended:

100% Silicone
(non-water based)
Thread Seal Tape

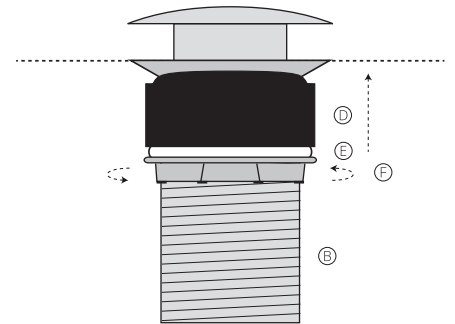
Parts Included:



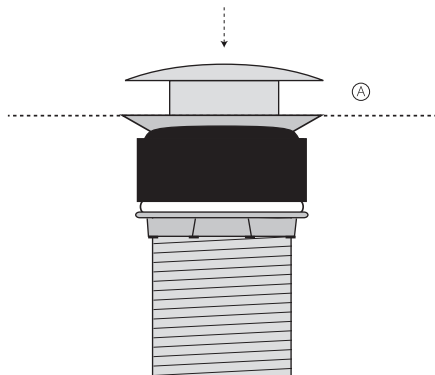
1. Clean and remove any loose debris from the drain hole located in the bottom of your sink.
2. Slide the Rubber Washer (C) onto the Drain Body's (B) threaded shaft until it reaches the underside of the flange or apply a bead of 100% silicone evenly around the underside of the flange of the Drain Body (B). *If installing a glass sink, using the Rubber Washer (C) is recommended.



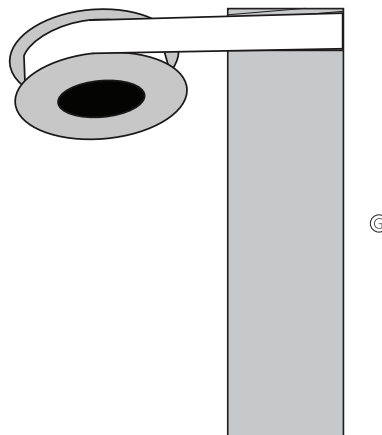
3. Insert the Drain Body (B) into the sink drain hole, ensuring that the silicone or Rubber Washer (C) are in contact with the sink.
4. From under the sink, in order, slide the Rubber Gasket (D), the Plastic Washer (E), and the Lock Nut (F) up the threaded shaft of the Drain Body (B) and tighten into position against the sink underside. *Do not overtighten.



5. Check the Stopper (A) for proper push to seal function.
6. If silicone was used, wipe away any excess silicone around the drain area.



7. Apply Thread Seal Tape around the threads of the Tailpiece (G). we recommend wrapping tape securely around the threads at least 4 times.



8. From under the sink, screw the taped end of the Tailpiece (G) into Drain Body (B) until it firmly stops. *Do not overtighten.
9. If silicone was used, allow silicone to dry and check for leaks.

