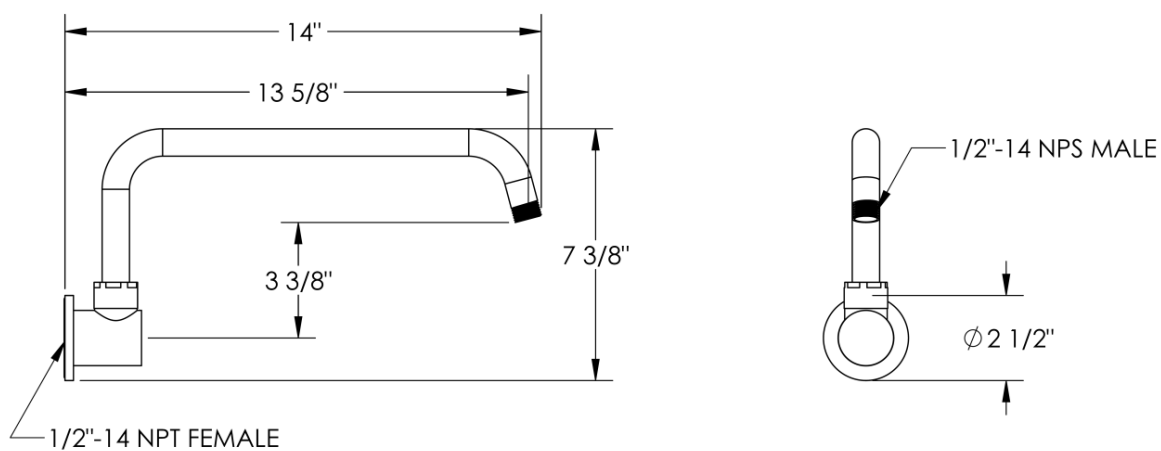


REJUVENATION

www.rejuvenation.com

14" WALL MOUNT OFFSET SHOWER ARM

Swivel shower arm for rain shower heads



Meets the applicable requirements of ASME A112.18.1-2005/CSA B125.1-05, entitled "Plumbing Supply Fittings"

WATERMARK DESIGNS