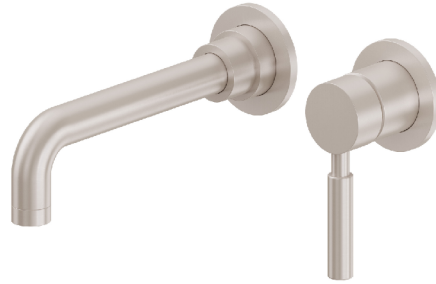




### Features

- Available in 28 finishes including 13 PVD finishes
- All brass construction
- Single handle allows for volume & temperature control at any position
- 1.2gpm (4.5 L/min) max flow rate
- Rough valve (SHV-R) sold separately

TO-V6201-7  
TO-V6201-9

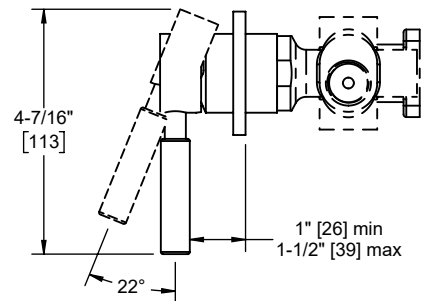
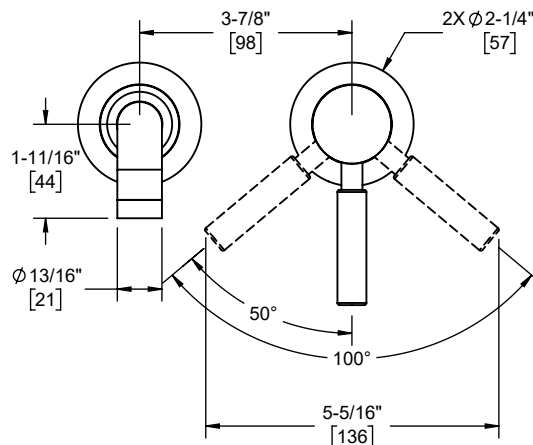
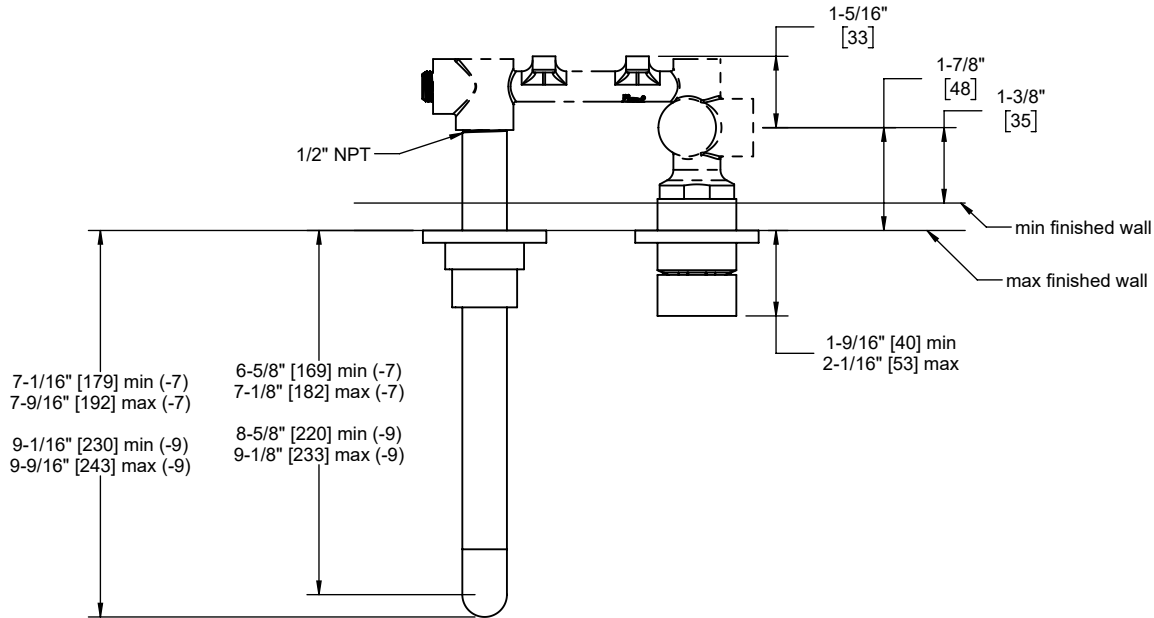


TO-V6201-7-SN shown

### Codes/Standards Applicable

Product meets or exceeds the following:

- ASME A112.18.1/CSA B125.1
- NSF 61, NSF 372, CEC & DOE
- EPA WaterSense
- Commonwealth of MA
- ADA compliant



Through-Hole Specifications			
	Min	Recommended	Max
Spout:	Ø1"	Ø1-1/4"	Ø1-3/8"
	[25]	[32]	[35]
Handle:	Ø1-5/8"	Ø1-3/4"	Ø2"
	[41]	[44]	[51]

Specifications subject to change without notice

Dimensions are inches, rounded to 1/16"  
[Dimensions in brackets are mm, rounded to 1mm]



### Features

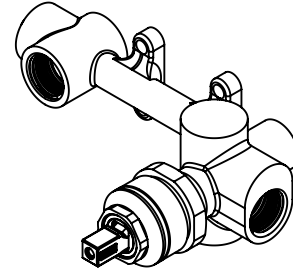
- Forged brass construction
- Ceramic mixing cartridge
- 1/2" FIP - 2 inlet
- 1/2" FIP outlet

### Codes/Standards Applicable

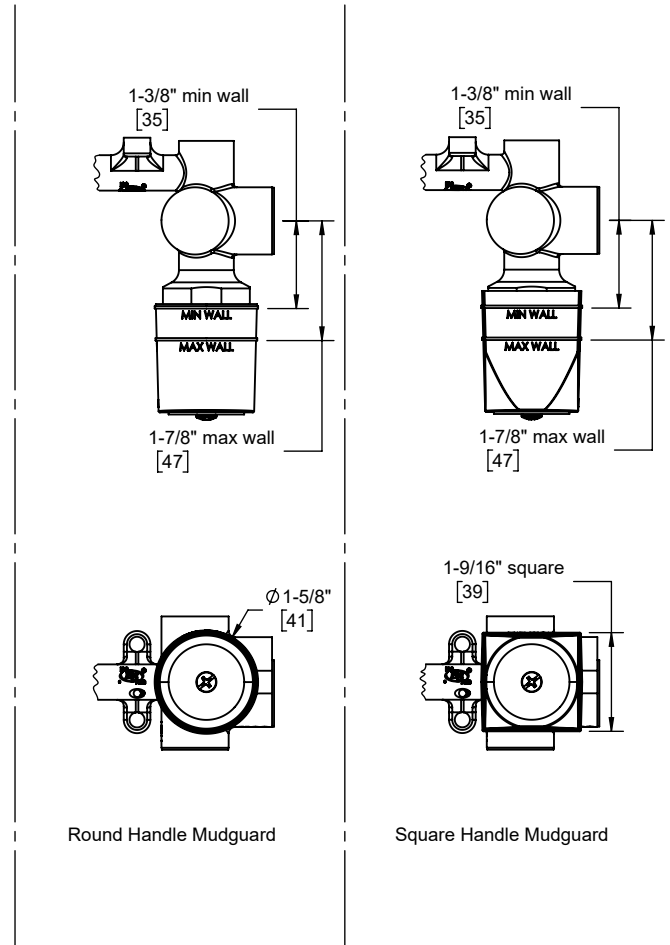
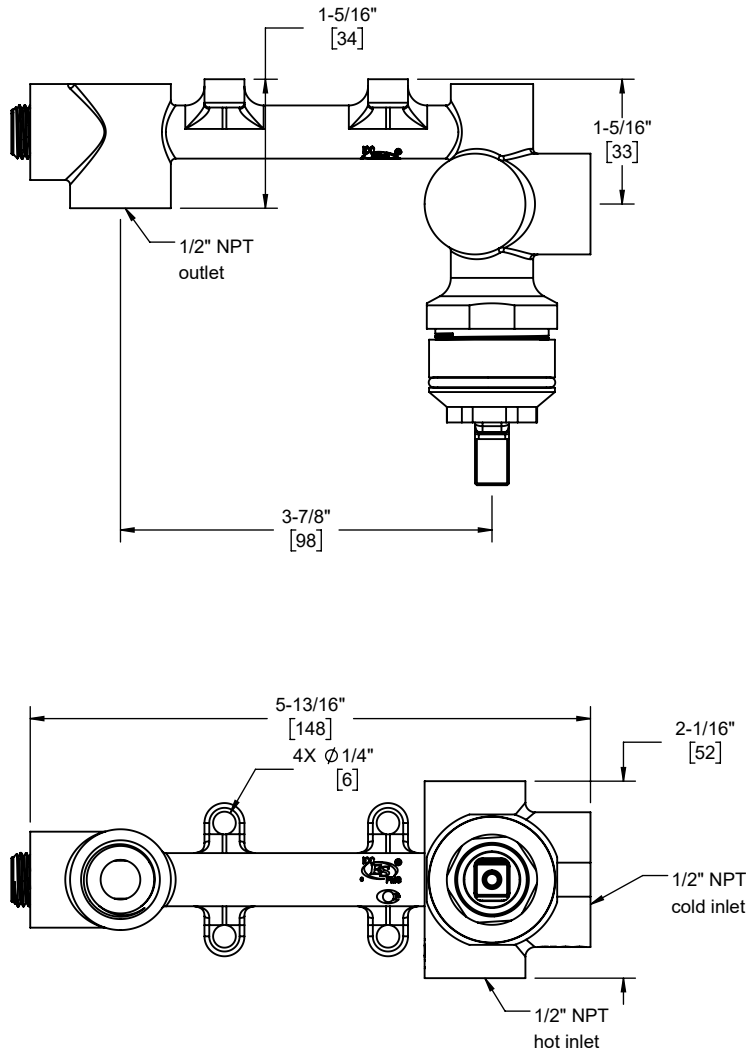
Product meets or exceeds the following:

- ASME A112.18.1/CSA B125.1
- NSF 61, NSF 372
- Commonwealth of MA

SHV-R



SHV-R shown  
with mudguard removed



**IMPORTANT:**  
 MUDGUARD MUST BE INSTALLED ACCORDING TO TRIM STYLE.  
 FOR ROUND TRIM USE ROUND MUDGUARD.  
 FOR SQUARE TRIM USE SQUARE MUDGUARD.  
 CUT TABS AS CLOSE TO EACH MUDGUARD SIDE AS POSSIBLE

## Single Handle Lavatory Wall Faucet Trim Only Installation Instructions

CALIFORNIA FAUCETS RECOMMENDS THAT ALL PLUMBING PRODUCTS BE INSTALLED BY A LICENSED PROFESSIONAL

**IMPORTANT:** Read all instructions prior to installation and provide copy of instructions to consumer.

### Operating Specifications:

Recommended Supply Pressure: 20 to 70 psi\*†

Maximum Flow Rate: 1.2 gpm

\* Operating pressures between hot and cold supplies should vary no more than 30 psi.

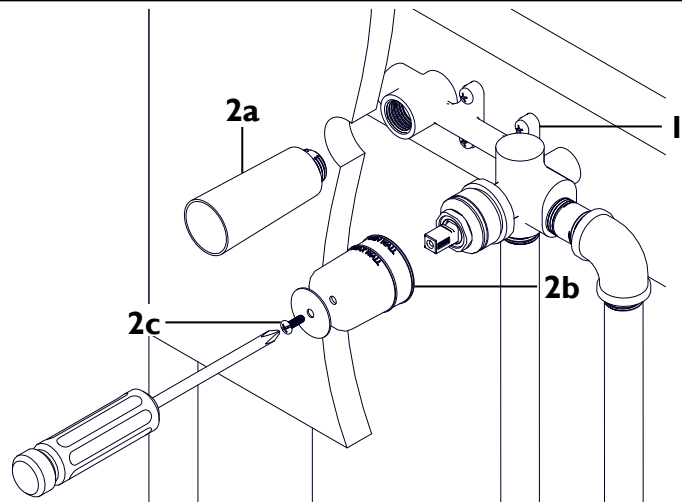
† If water pressure exceeds 70 psi, install a Pressure-Reducing Valve (PRV).

## 1 REMOVING MUDGUARDS

- Prior to installing faucet trim, in-wall vessel rough VALVE (1) (SHV-R) must be properly installed, and wall surface must be completely finished

**NOTE:** Recommended spout through-hole size is  $\varnothing 1-1/4"$ , recommended handle through-hole size is  $\varnothing 1-3/4"$

- Remove SPOUT MUDGUARD (2a) from VALVE (1) by turning counterclockwise
- Remove HANDLE MUDGUARD (2b) from VALVE (1) by loosening mudguard SCREW (2c)

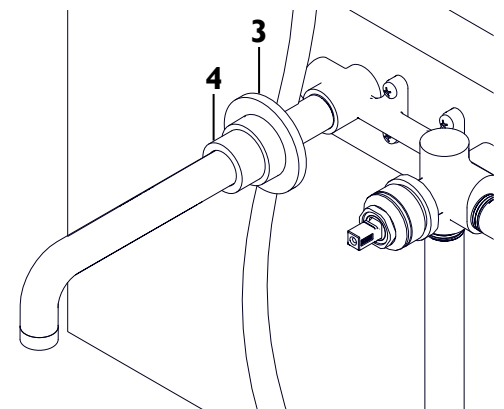
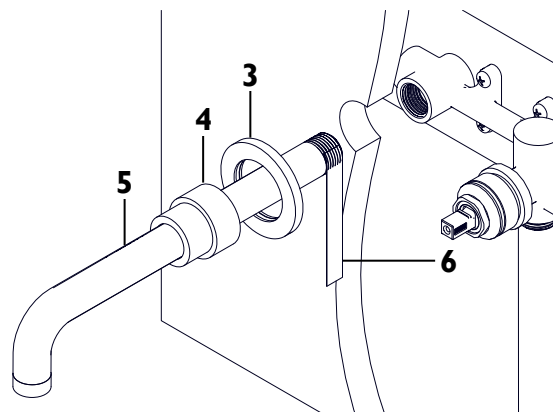


## 2 INSTALLING SPOUT

- Slide spout RING (3) onto spout ESCUTCHEON (4)
- Slide spout ESCUTCHEON (4) onto SPOUT (5)
- Apply thread SEALANT (6) (not supplied) to threaded end of SPOUT (5) and tighten into left outlet of valve
- If SPOUT (5) is not properly aligned when fully tightened, turn counterclockwise until properly aligned

**IMPORTANT:** Do not overtighten SPOUT (5)

- Push spout RING (3) and spout ESCUTCHEON (4) firmly against wall

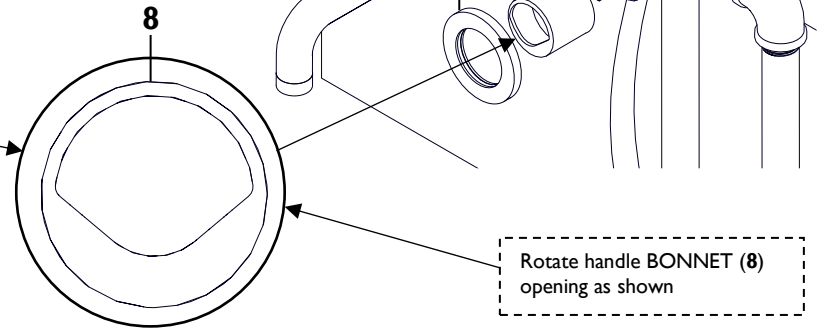


### 3 INSTALLING HANDLE BASE

- Slide handle RING (7) onto handle BONNET (8)
- Slide handle BONNET (8) onto right side of VALVE (1b) until an audible click sound is heard or felt indicating BONNET (8) is seated onto VALVE (1b)

**IMPORTANT:** Handle BONNET (8) MUST be in contact with VALVE (1b) for handle to function properly

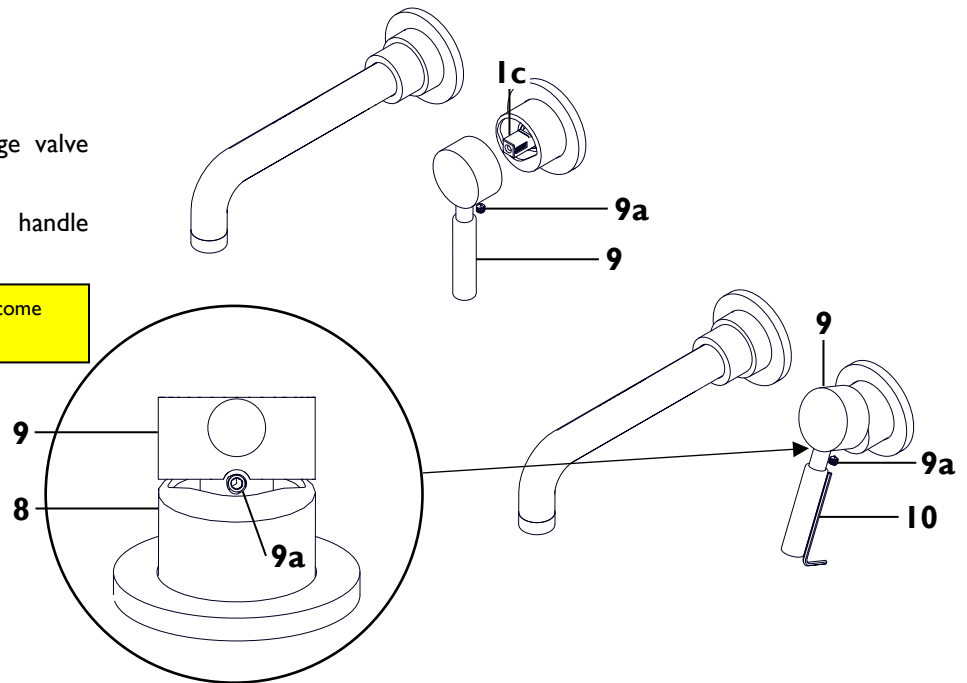
- Confirm proper orientation of handle BONNET (8)
- Push handle RING (7) firmly against wall



### 4 INSTALLING HANDLE

- Loosen handle SETSCREW (9a)
- Slide HANDLE (9) down onto and engage valve STEM (1c)
- Tilt HANDLE (9) upwards and tighten handle SETSCREW (9b) with ALLEN KEY (10)

**IMPORTANT:** Water supply must be off, or water will come out of the spout.

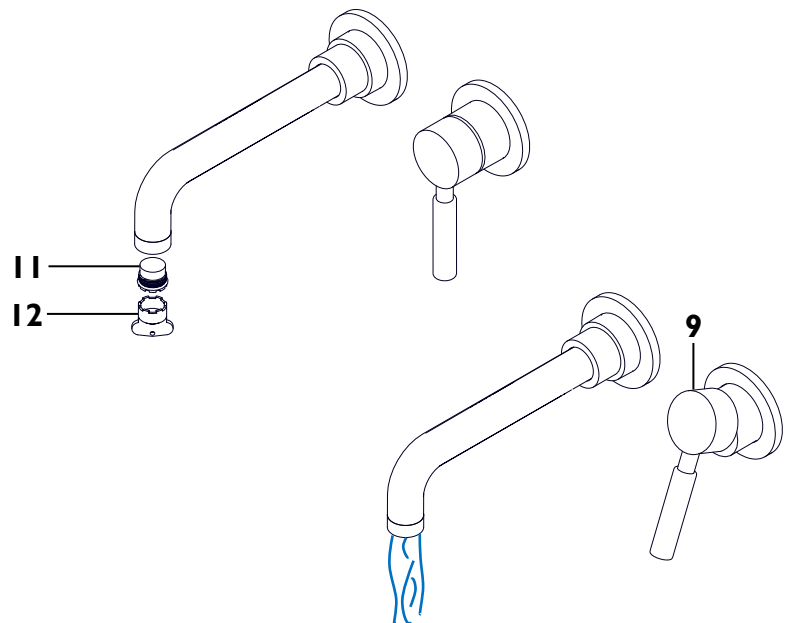


### 5 FINAL CONNECTIONS

- Remove AERATOR (11) using aerator KEY (12) and turn faucet HANDLE (9) to the full-on-mixed position
- Turn on hot and cold water-supplies and flush water lines for one minute

**IMPORTANT:** This step flushes away any debris that could cause damage to internal parts.

- Re-install AERATOR (11) using aerator KEY (12)
- Check all connections for leaks; re-tighten if necessary





California Faucets®

# SHV-R

## Single Handle Lavatory Wall Faucet Rough In Valve Installation Instructions

**CALIFORNIA FAUCETS RECOMMENDS THAT ALL PLUMBING PRODUCTS BE INSTALLED BY A LICENSED PROFESSIONAL**

**IMPORTANT: Read all instructions prior to installation and provide copy of instructions to consumer.**

### Operating Specifications:

Recommended Supply Pressure: 20 to 70 psi †

Maximum Flow Rate: 5.0 gpm

\* Operating pressures between hot and cold supplies should vary no more than 30 psi.

† If water pressure exceeds 70 psi, install a Pressure-Reducing Valve (PRV).

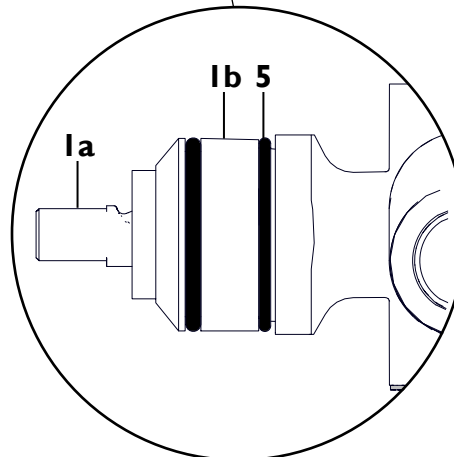
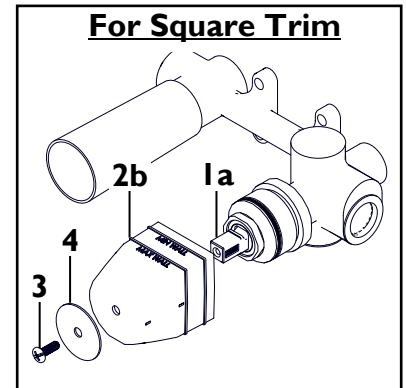
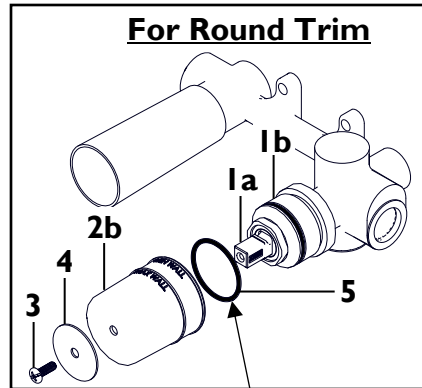
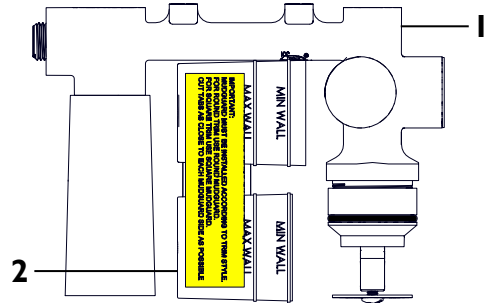
## I INSTALLING MUDGUARD

- Remove VALVE (1) and combined handle MUDGUARD (2) from packaging
- Separate combined handle MUDGUARD (2)

**IMPORTANT:** Installer **MUST** know the trim style (model no. - see table below) to install appropriate MUDGUARD (2).  
 For round trim use ROUND HANDLE MUDGUARD (2a)  
 For square trim use SQUARE HANDLE MUDGUARD (2b)  
 Cut tabs as close to each handle MUDGUARD (2) side as possible

- For Round Trim:** Slide O-RING (5) down past handle packing NUT (1b)
- Install proper MUDGUARD (2) on handle STEM(1a) using SCREW (3) and WASHER (4)

Model No. (series)	Mudguard Style
TO-V3001-7/-9	Round ○
TO-V3001F-7/-9	Round ○
TO-V3001K-7/-9	Round ○
TO-V8001-7/-9	Round ○
TO-V8001W-7/-9	Round ○
TO-V5201-7/-9	Round ○
TO-V6201-7/-9	Round ○
TO-V7701-9	Square □
TO-V7801-7/-9	Square □
TO-VE301-7	Round ○
TO-VE401-7	Round ○
TO-VE501-7	Round ○
TO-V3301-7/-9	Round ○
TO-V3501-7/-9	Round ○
TO-V6107-7/-9	Round ○
TO-V4801-7/-9	Round ○
TO-V6401-7/-9	Round ○



## 2 INSTALLING VALVE

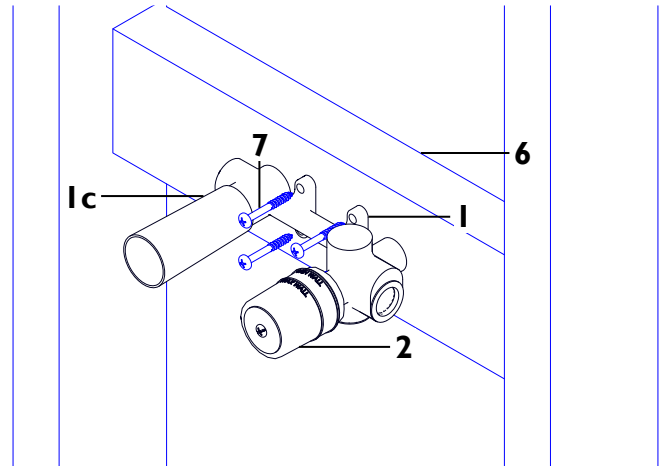
- Install BRACING (6) (2x4 stud recommended) at required height and depth

**IMPORTANT:** handle MUDGUARD (2) must project 1-3/16" min to 1-11/16" max from finished wall

- Place VALVE (1) onto BRACING (6) with SPOUT OUTLET (1c) on the left side

**IMPORTANT:** VALVE (1) is not reversible and must be installed as shown. Do not attempt to install with body upside down or with reversed hot/cold inlet connections.

- Secure VALVE (1) to BRACING (6) using SCREW (7) (not supplied)



## 3 SUPPLY CONNECTIONS

- Connect cold supply to COLD INLET (1d) and connect hot supply to HOT INLET (1e)

**NOTE:** Use thread sealant (not supplied) on all threaded connections

**IMPORTANT:** Flush supply lines prior to installation to prevent damage and malfunction of cartridge

**WARNING:** All soldering of fittings shall be performed a minimum of 4" away from VALVE(1)

- To check for leaks, install 1/2" NPT PLUG (8) (not supplied) into SPOUT OUTLET (1c)
- Turn on water supply valve
- To "open" valve lift STEM (1a)
- Check all connections for leaks
- Give these instructions to consumer for safe keeping

