



California Faucets®

Avalon™

SINGLE HOLE LAVATORY FAUCET

6201-1

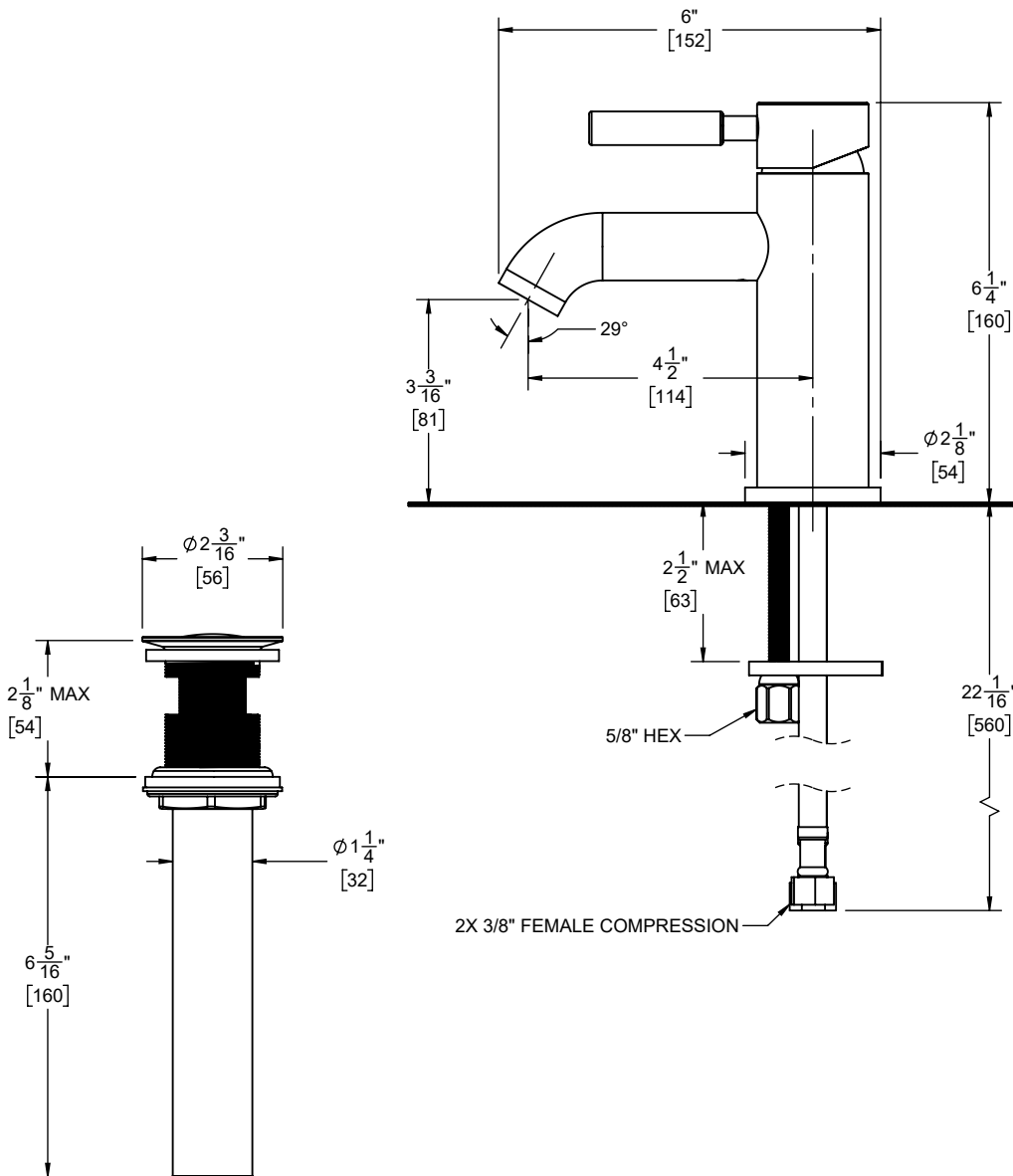
Features

- Available in 28 finishes including 13 PVD finishes
- All brass construction
- 4-1/2" spout center to center
- Single handle operation cartridge with ceramic disc
- Flexible braided hoses for ease of installation
- ϕ 1-1/4" all brass lift rod style pop up drain assembly
- 1.2 gpm (4.5 L/min) max flow rate

Codes/Standards Applicable

Product meets or exceeds the following:

- ASME A112.18.1/CSA B125.1
- NSF/ANSI 61 & NSF/ANSI 372
- CEC / DOE
- Commonwealth of MA
- EPA WaterSense High Efficiency Lavatory
- ADA compliant



| THROUGH-HOLE SPECIFICATIONS | |
|-----------------------------|--------------------|
| MIN | RECOMMENDED |
| SPOUT: ϕ 1-1/4" [32] | ϕ 1-3/8" [35] |
| DRAIN: ϕ 1-1/2" [38] | ϕ 1-3/4" [44] |

SPECIFICATIONS SUBJECT TO CHANGE WITHOUT NOTICE

DIMENSIONS SHOWN TO THE NEAREST 1/16"
[DIMENSIONS SHOWN TO THE NEAREST 1mm]



300I-I, 330I-I, 350I-I, 420I-I, 520I-I, 620I-I

Single Hole Lavatory Faucet with Pop-Up Drain Installation Instructions

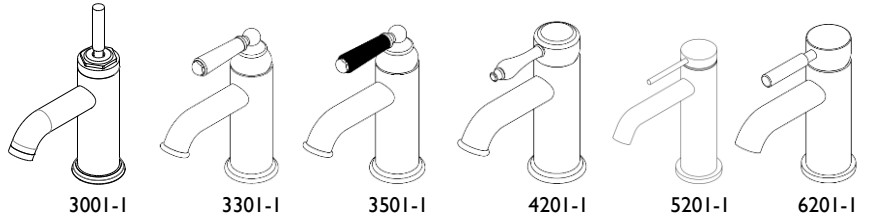
**CALIFORNIA FAUCETS RECOMMENDS THAT ALL PLUMBING PRODUCTS BE INSTALLED
BY A LICENSED PROFESSIONAL**

IMPORTANT: Read all instructions prior to installation and provide copy of instructions to consumer.

Operating Specifications:

Recommended Supply Pressure: 20 to 70 psi*

* If water pressure exceeds 70 psi, install a Pressure-Reducing Valve (PRV).

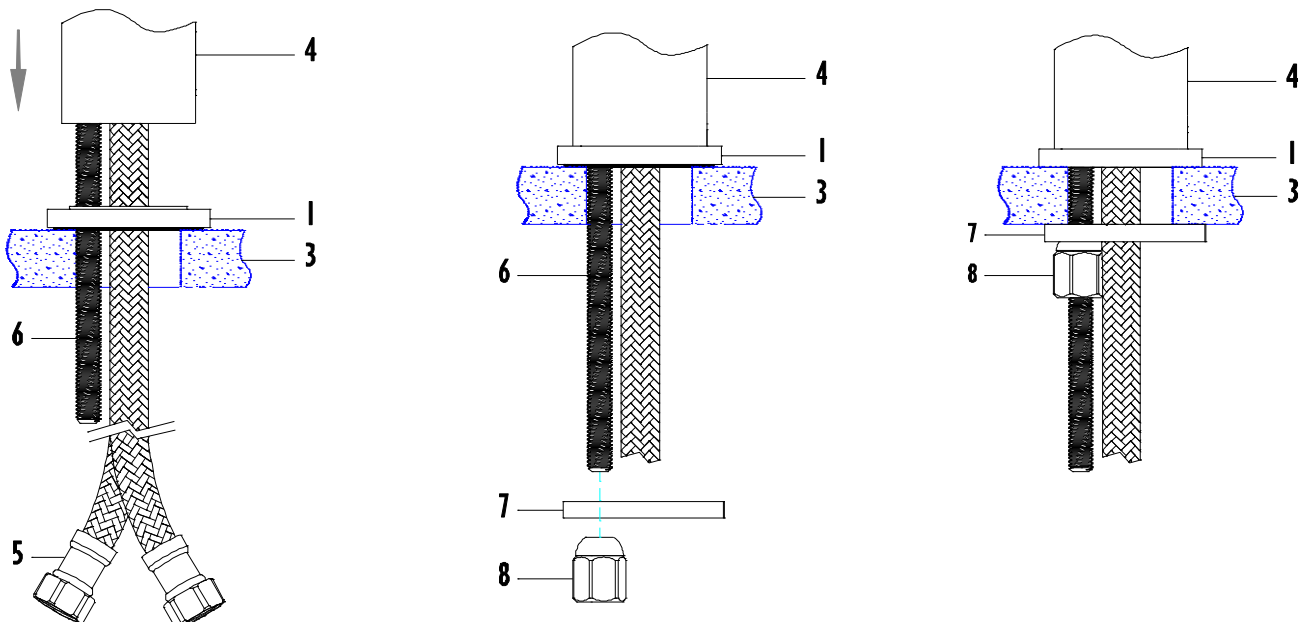
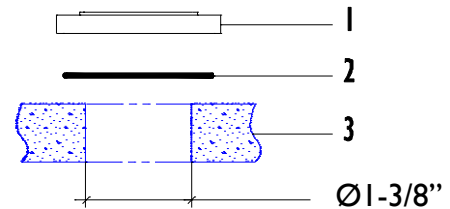


I INSTALLING FAUCET TO SINK/DECK

- Insert O-RING (2) into bottom of BASE RING (1) and center over sink/deck THROUGH-HOLE (3)

NOTE: Recommended sink/deck THROUGH-HOLE is $\text{Ø}1\text{-}3/8\text{'}$

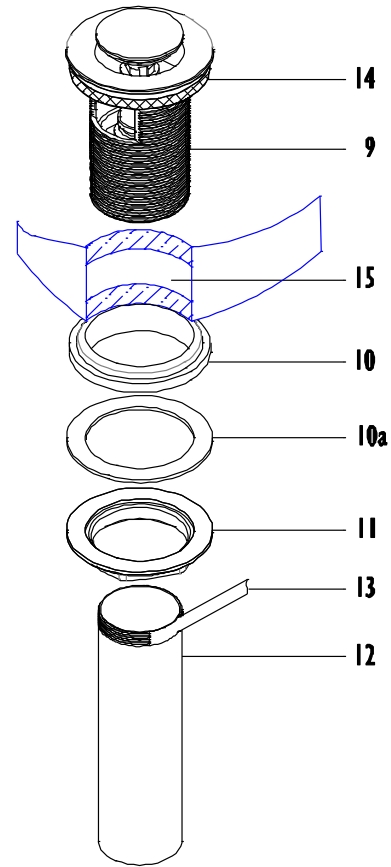
- Insert FLEX HOSE (5) (one at a time) and THREADED ROD (6) though BASE RING (1) and sink/deck THROUGH-HOLE (3)
- Place BODY (4) on top of BASE RING (1)
- From underside of sink/deck THROUGH-HOLE (3), place MOUNTING BRACKET (7) and NUT (8) onto THREADED ROD (6)
- Tighten NUT (8) until BODY (4) and BASE RING (1) is secure to sink/deck



2

INSTALLING POP-UP DRAIN

- Slide white foam WASHER (14) up under flange of BODY (9)
- or -
- Apply thin film of Silicon® sealant (or equivalent – DO NOT use petroleum-based sealant as this WILL void finish warranty) to underside of flange on BODY (9)
- Insert BODY (9) down through sink drain HOLE (15)
- From underside, slide MACH-WASHER (10) and FRICTION-WASHER (10a) up onto BODY (9)
- Secure BODY (9) into place with flange NUT (11)
- Apply Teflon® tape (13) (not supplied) to threaded portion of TAILPIECE (12) & tighten onto BODY (9)



3

SUPPLY & WASTE CONNECTIONS

- Connect blue colored FLEX HOSE (5) to cold SUPPLY VALVE (17) and red colored FLEX HOSE (5) to hot SUPPLY VALVE (17)

IMPORTANT: Flush supply lines and valves prior to installation to prevent damage and malfunction of cartridge

- Connect waste P-TRAP (16) to drain TAILPIECE (12)

NOTE: Supply valves and P-Trap are not supplied with faucet. See CAL TRIM for complete selection of matching products in desired finish

- Turn on cold and hot SUPPLY VALVES (17)
- Slowly open faucet lever by lifting lever and rotate to left and right
- Check all connections for leaks and repair as necessary
- Give these instructions and Blue Plastic Aerator Key to consumer for safe keeping

NOTE: Occasionally, due to water conditions it may be necessary to remove aerator and clean debris off with soft bristle toothbrush

