



California Faucets®

Deluxe Angle Stop

Deluxe Angle Stop With Flange and Decorative Handle

Features

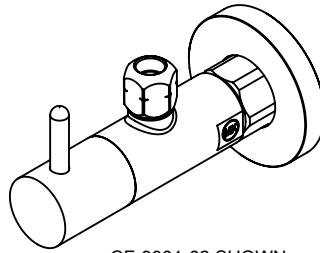
- Quarter turn ceramic disc cartridge
- Use with 1/2" copper pipe
- 1/2" nominal compression (5/8" OD) - inlet
- 3/8" OD compression - outlet
- Replace "XX" with desired handle series
- All brass construction
- Over 28 finishes including 13 PVD finishes

CF-9001-XX
CF-9001-62

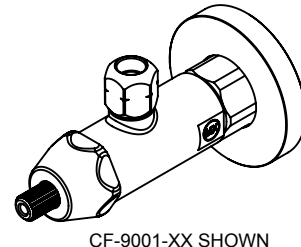
Codes/Standards Applicable

Product meets or exceeds the following:

- ASME A112.18.1/CSA B125.1
- ADA compliant (with lever handles)



CF-9001-62 SHOWN

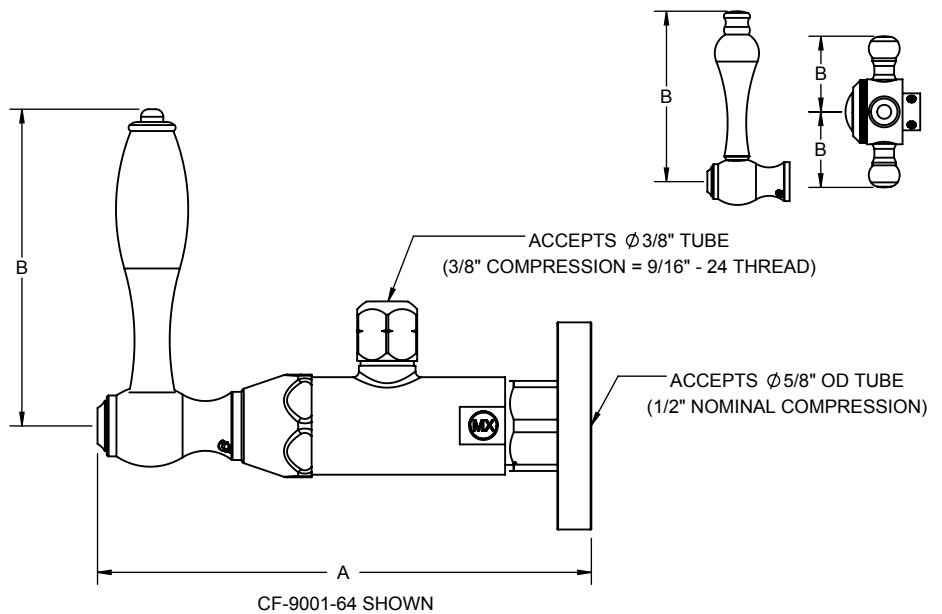


CF-9001-XX SHOWN
where "XX" represents handle options

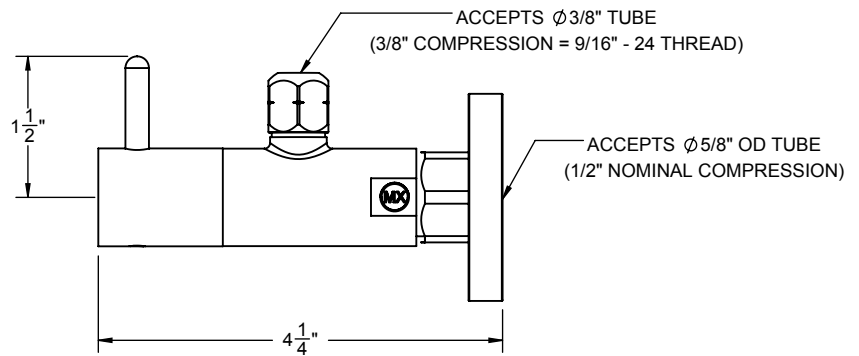
XX = DENOTES
HANDLE STYLE

CF-9001-XX-ZZ		
HANDLE	A	B
30K	5 1/8"	3 1/8"
30XF	4 5/8"	1 1/2"
30XK	4 5/8"	1 1/2"
30F	5 1/8"	3 1/8"
33	5 3/16"	3 1/8"
34	5 3/16"	1 1/8"
35	4 15/16"	3 1/2"
36	4 15/16"	3 1/8"
42	5 3/16"	3 1/8"
44	4 15/16"	2 15/16"
45	4 11/16"	3"
45X	4 9/16"	1 3/8"
46	5 3/16"	3 7/8"
47	5 1/16"	1 3/8"
48	4 3/4"	3 1/8"
48X	4 3/4"	1 1/2"
55	5 3/16"	3 5/16"
59	5 1/2"	3"
60	4 7/8"	1 5/16"
62*	4 1/4"	1 1/2"
63	5 3/16"	1 3/8"
64	5 3/16"	3 5/16"
65	4 13/16"	1 3/8"
66	5"	2 1/4"
67	5 3/16"	1 3/8"
68	4 15/16"	3 5/16"
69	4 15/16"	3 1/2"
70	4 1/2"	2 3/4"
71	5 5/16"	1 7/8"
72	5 5/16"	1 1/4"
74	5 1/8"	3"
77	4 5/16"	2 3/4"
77R	5 1/16"	1"
E3	4 9/16"	2 3/4"
E4	4 11/16"	2 3/4"

* = The 62 series is the only handle that does not use the bonnet.



CF-9001-64 SHOWN



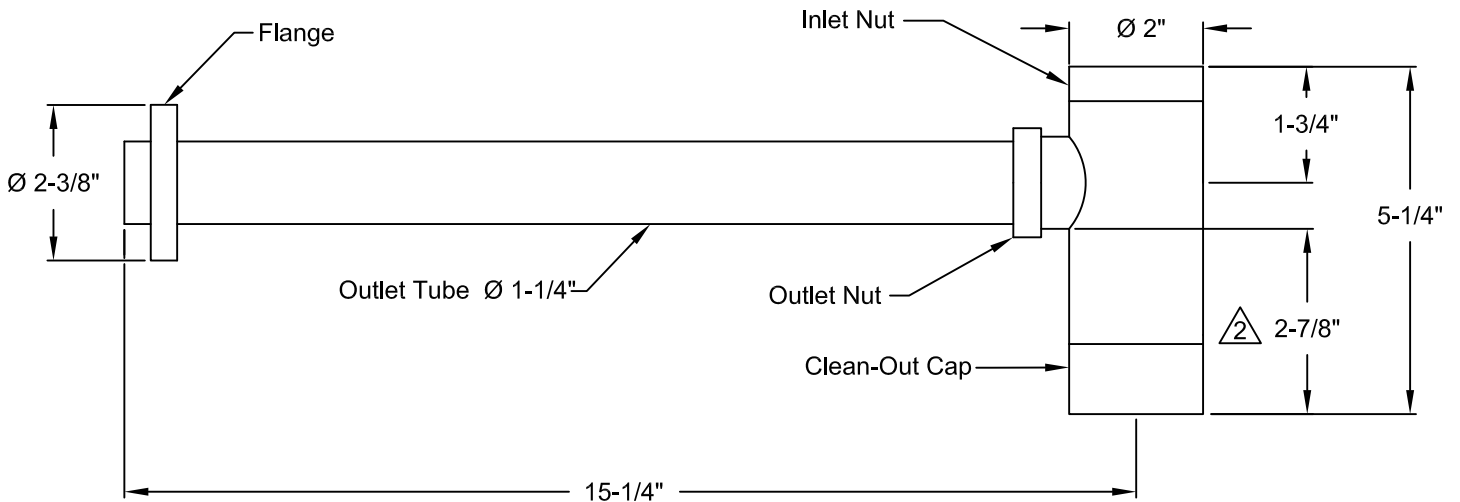
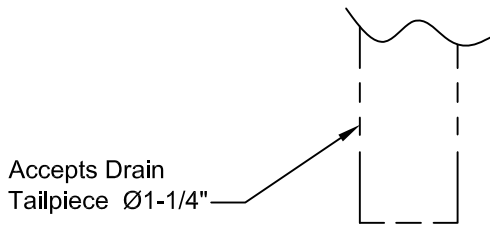
CF-9001-62 SHOWN


SUPPLY STUB-OUT
MIN : 1 1/4"
MAX: 1 5/8"

NOTES:

1. COMPLIES WITH A112.18.2

2 Δ MEETS OR EXCEEDS MINIMUM
WATER SEAL DISTANCE OF 2"



 California Faucets® info@calfaucets.com www.calfaucets.com	DESCRIPTION: CONTEMPORARY P-TRAP		STARTING DATE: 01/30/07
	NEXT ASSEMBLY: ----	USED ON: ----	REVISION DATE: 12/01/09
	DRAWING NUMBER: 9072		APPROVED BY: J.WOJTASZEK
			SCALE: NONE
			DRAWN BY: C. WULF



California Faucets®

Deluxe Angle Stops

CF-9000-XX, CF-9001-XX, & CF-9004-XX

Deluxe Angle Stop with Flange and Decorative Handle Installation Instructions

CALIFORNIA FAUCETS RECOMMENDS THAT ALL PLUMBING PRODUCTS BE INSTALLED BY A LICENSED PROFESSIONAL

IMPORTANT: Read all instructions prior to installation and provide copy of instructions to consumer.

Operating Specifications:

Recommended Supply Pressure: 20 to 70 psi*†

† If water pressure exceeds 70 psi, install a Pressure-Reducing Valve (PRV).

Precautions:

- For use with water in accessible locations only
- Do not sweat within 12 inches
- Angle stop is used in full open or full close position
- Outlet must be capped if stop is being used as a termination point
- Not for use with PEX

General Instructions:

- **IMPORTANT:** California Faucets angle stops are available in 2 configurations. Select the inlet and outlet instructions that apply to the product purchased.
- Be sure stub out and riser shall be square, round and free of burrs.
- **WARNING:** Overtightening can cause product to crack and fail over time. See more detailed instructions below:

COMPRESSION INLET – CF-9001

IMPORTANT: For use with L or M copper only.

- Ø5/8" OD copper TUBE (1) stub out 1-1/4" to 1-5/8"
- Slide inlet compression NUT (2) and SLEEVE (3) onto end of copper TUBE (1)
- Place FLANGE (4) onto VALVE (5) passed flats
- Slide VALVE (5) onto COPPER TUBE (1)
- Hand tighten inlet compression NUT (2) onto VALVE (5)

NOTE: A drop of general-purpose oil will make tightening easier

WARNING: DO NOT USE putty, gasket material, or thread seal tape

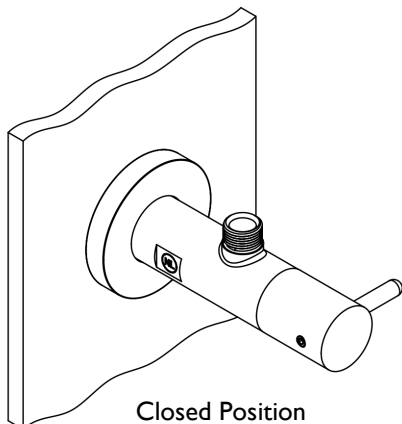
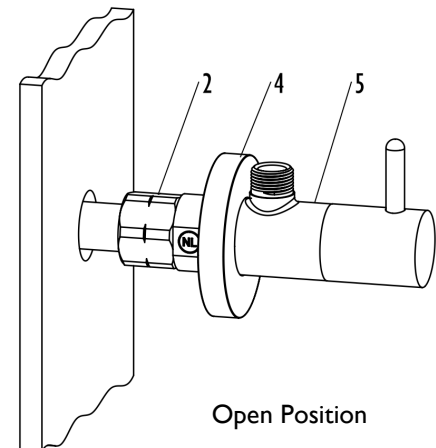
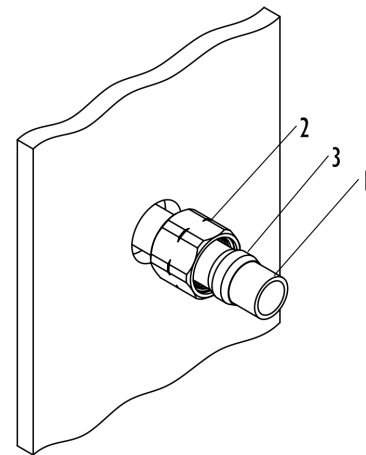
- Use wrench or strap wrench to hold VALVE (5)
- Use wrench to tighten inlet compression NUT (2) by another 1/2 turn

NOTE: Make sure the VALVE (5) remains seated & square to COPPER TUBE (1)

WARNING: Over tightening can cause VALVE (5) to fail over time

TEST FOR LEAKS:

- Turn handle clockwise to close VALVE (5)
- Inspect VALVE (5) for leaks while a helper turns on water supply



FEMALE IRON PIPE (FIP INLET) – CF-9000 & CF-9004


- Select appropriate length 1/2" NPT NIPPLE (1), stub out 3/16" to 9/16"
- Apply thread sealant or plumber's tape (no more than 3 wraps) to male threads of NIPPLE (1)

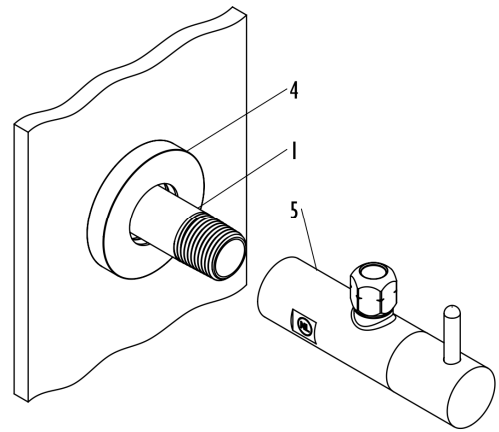
WARNING: Excess thread sealer can cause the joint to fail

WARNING: DO NOT USE putty or gasket material

- Slide FLANGE (4) onto NIPPLE (1)
- Hand tighten VALVE (5) onto NIPPLE (1)
- Use wrench or strap wrench to tighten VALVE (5) onto NIPPLE (1) and align outlet to desired position

TEST FOR LEAKS:

- Turn handle clockwise  to close VALVE (5).
- Inspect VALVE (5) for leaks while a helper turns on water supply



COMPRESSION OUTLET

IMPORTANT: Shut off water before starting.

- Cut riser TUBE (6) to length so that it bottoms out in VALVE (5)
- Slide outlet compression NUT (8) & SLEEVE (7) onto riser TUBE (6)
- Hand tighten outlet compression NUT (8)

NOTE: A drop of general-purpose oil will make tightening easier


WARNING: DO NOT USE putty, gasket material, or thread seal tape

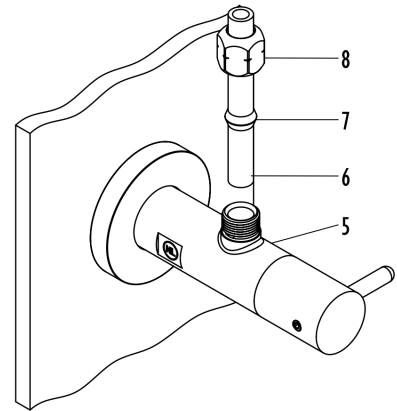
- Use wrench or strap wrench to tighten NUT (8) by 3/4 turn more

NOTE: Riser must be seated and square to VALVE (5) for a good connection

- Refer to faucet or toilet instructions to install other end of RISER (6)

TEST FOR LEAKS:

- Turn handle counterclockwise  to open VALVE (5)
- Inspect connections for leaks




FLEXIBLE NUT X NUT CONNECTOR

IMPORTANT: Shut off water before starting

- Outlet takes a 3/8" compression (9/16" – 24 thread) nut
- Hand tighten one end of flexible CONNECTOR (9) onto outlet THREADS (5a)
- Secure per CONNECTOR (9) instructions
- Refer to faucet or toilet instructions to install other end of flexible CONNECTOR (9)

TEST FOR LEAKS:

- Turn handle counterclockwise  to open VALVE (5)
- Inspect connections for leaks

