



California Faucets®

Avalon™ Single Hole Lavatory Faucet

6201-1

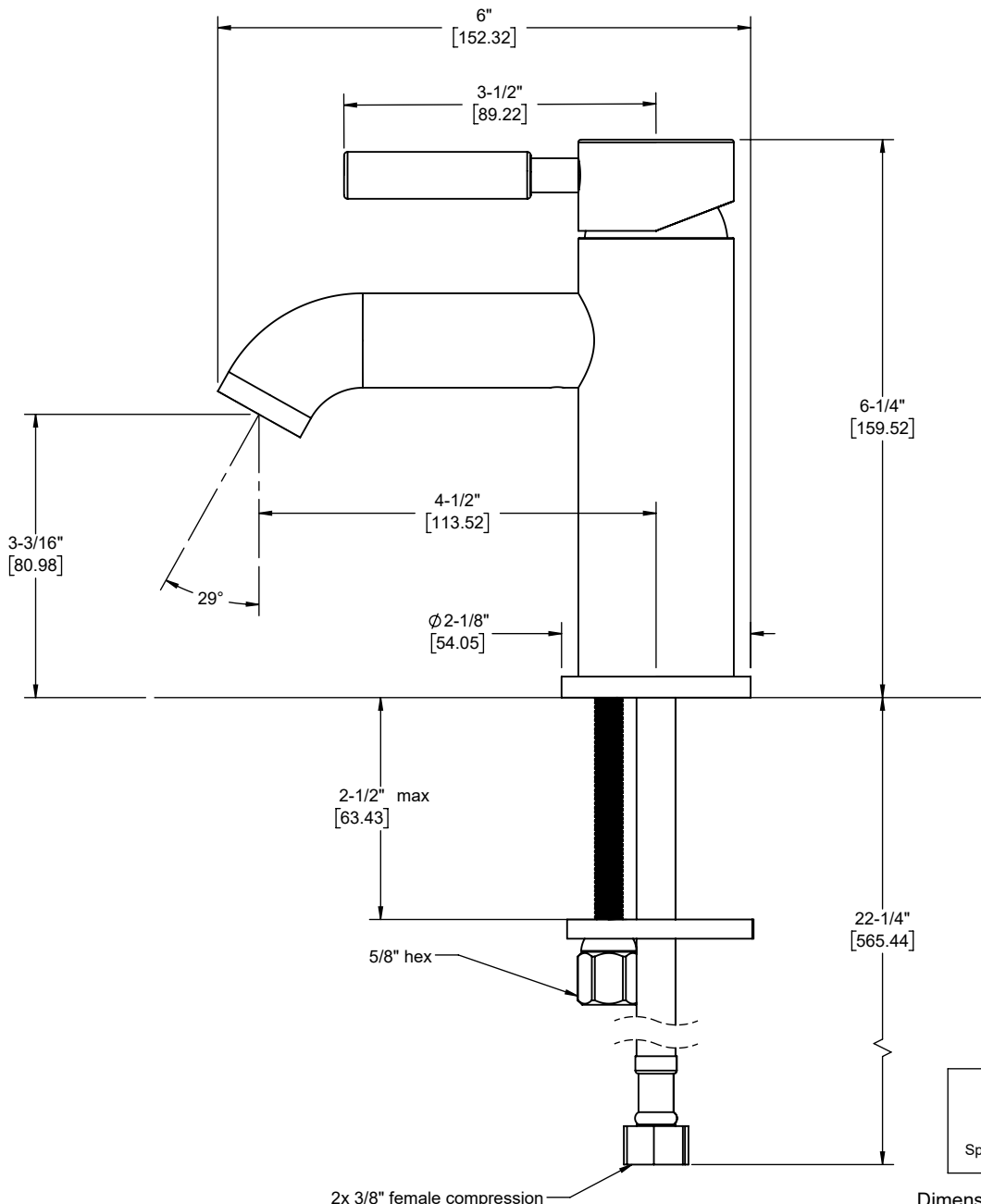
Features

- 25+ artisan finishes including 12 PVD finishes
- All brass construction
- Single handle operation cartridge with ceramic disc
- Flexible braided hoses for ease of installation
- 1.2gpm (4.5 L/min) max flow rate

Codes/Standards Applicable

Product meets or exceeds the following:

- ASME A112.18.1/CSA B125.1
- NSF 61, NSF 372, CEC & DOE
- EPA WaterSense
- Commonwealth of MA
- ADA compliant



Through-Hole Specifications	
Min	Recommended
Spout: \varnothing 1-1/4" [32]	\varnothing 1-3/8" [35]

Specifications subject to change without notice

Dimensions are inches, rounded to 1/16"
[Dimensions in brackets are mm, rounded to 1mm]

Single Hole Lavatory Faucet Installation Instructions

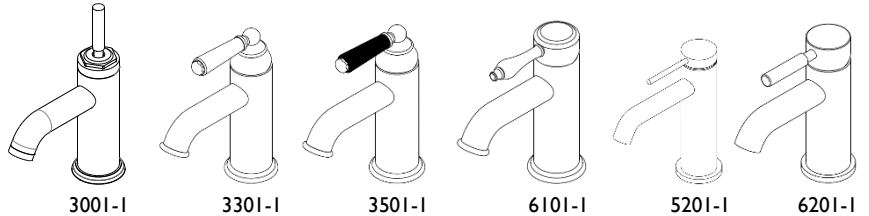
CALIFORNIA FAUCETS RECOMMENDS THAT ALL PLUMBING PRODUCTS BE INSTALLED BY A LICENSED PROFESSIONAL

IMPORTANT: Read all instructions prior to installation and provide copy of instructions to consumer.

Operating Specifications:

Recommended Supply Pressure: 20 to 70 psi*

* If water pressure exceeds 70 psi, install a Pressure-Reducing Valve (PRV).

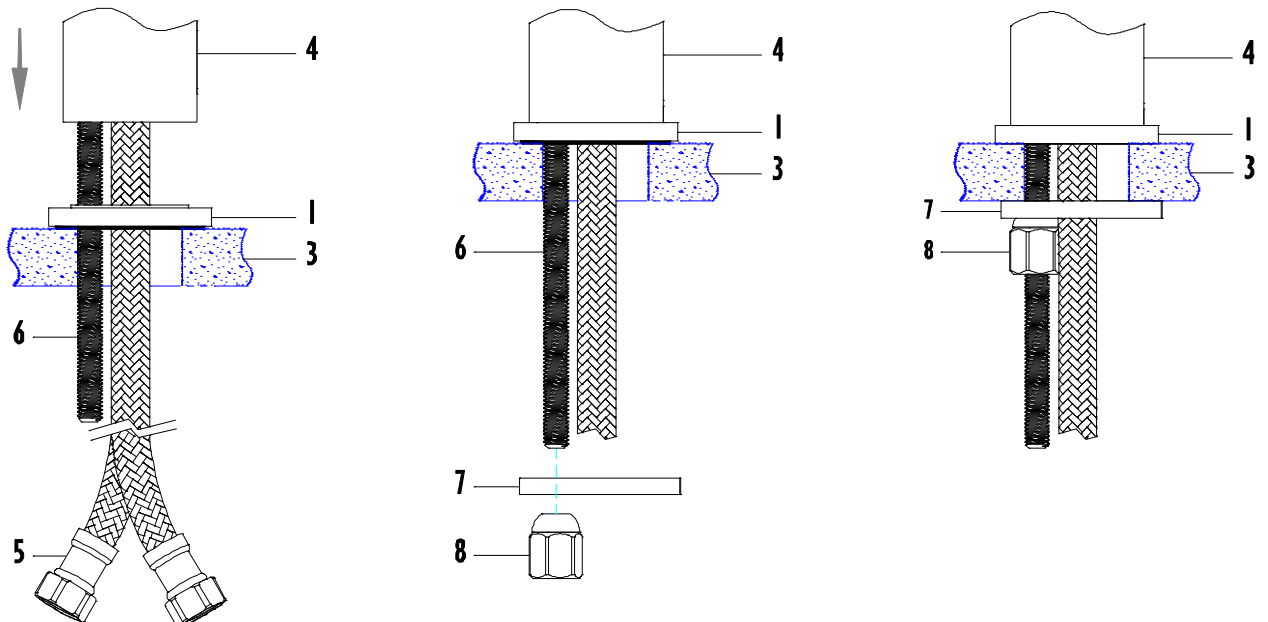
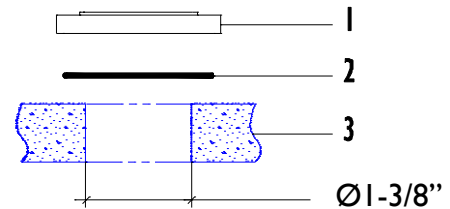


I INSTALLING FAUCET TO SINK/DECK

- Insert O-RING (2) into bottom of BASE RING (1) and center over sink/deck THROUGH-HOLE (3)

NOTE: Recommended sink/deck THROUGH-HOLE is $\varnothing 1\text{-}3/8''$

- Insert FLEX HOSE (5) (one at a time) and THREADED ROD (6) though BASE RING (1) and sink/deck THROUGH-HOLE (3)
- Place BODY (4) on top of BASE RING (1)
- From underside of sink/deck THROUGH-HOLE (3), place MOUNTING BRACKET (7) and NUT (8) onto THREADED ROD (6)
- Tighten NUT (8) until BODY (4) and BASE RING (1) is secure to sink/deck



2

SUPPLY & WASTE CONNECTIONS

- Connect blue colored FLEX HOSE (5) to cold SUPPLY VALVE (17) and red colored FLEX HOSE (5) to hot SUPPLY VALVE (17)

IMPORTANT: Flush supply lines and valves prior to installation to prevent damage and malfunction of cartridge

- Turn on cold and hot SUPPLY VALVES (17)
- Slowly open faucet lever by lifting lever and rotate to left and right
- Check all connections for leaks and repair as necessary
- Give these instructions and Blue Plastic Aerator Key to consumer for safe keeping

NOTE: Occasionally, due to water conditions it may be necessary to remove aerator and clean debris off with soft bristle toothbrush

