

Specifications:

Installation:	deck-mount 1-hole, touch-free
Spout Dimensions:	H: 5 1/2" SPOUT: 6 3/4"
Material:	solid brass construction for durability
Power Supply:	AC
Finishes:	CR - polished chrome 21 - brushed stainless steel PN - polished nickel NI - brushed nickel BG - brushed gold 44 - matte black TN - titanium

Cutout Size:	Ø 1 3/8"
Component Parts Included:	spout, power supply cable, installation hardware, operating box and flexible air hose



Features:

- Power supply:
 - Voltage: 120V AC
 - Frequency: 50/60 Hz
 - Power: 1100W max.
- Sensing distance: 4" approx. (10 - 12 cm)
- Designed to automatically shut off after 60 seconds of continuous operation
- Complements the Zoom electronic faucets
- HEPA-filter removes 99.99% of particles as small as 0.3 µm, including dust, mold spores and most bacteria from airflow
- Easy installation; easy maintenance

- touch-free safety from spreading undesirable pathogens
- commercial grade automated fixture

Codes + Standards:

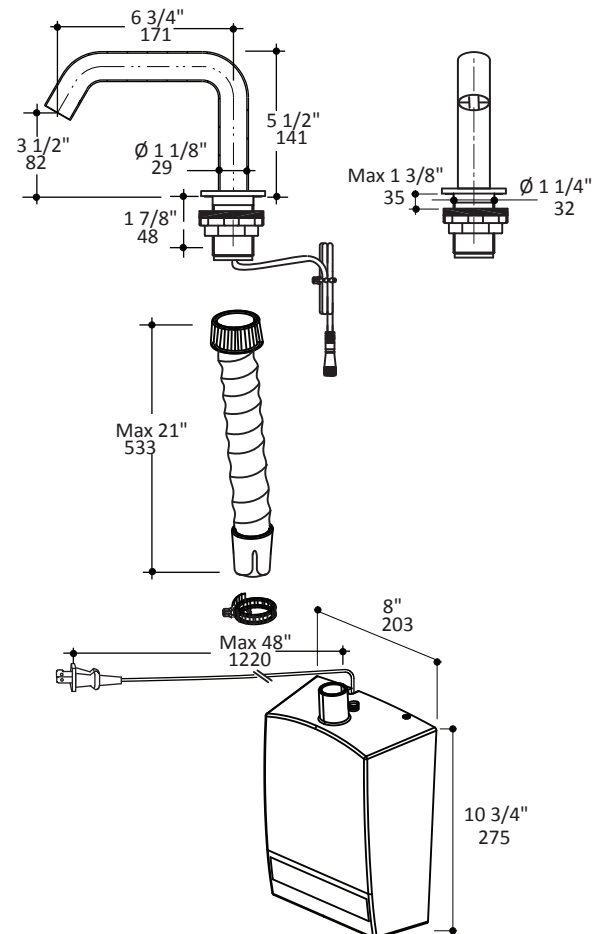
- Meets and exceeds applicable national codes and standards

ADA compliant when installed to specific requirements of this regulation



Recommended Items:

- Replacement parts:
 - #EX42-FL - replacement filter
 - #EX42-BX - replacement operating box
 - #EX42-SENR replacement sensor
- Matching fixtures (sold separately)
 - #EX22 - electronic faucet
 - #EX23 - electronic soap dispenser



LACAVA reserves the right to revise any dimension or information on this sheet without notice. Dimensions are nominal and may vary within an industry accepted tolerance of 1/4". Drawings provided herein are meant to give the user an idea of the product and are not made to scale. Location of plumbing is meant for reference, your specific application may vary.

Revised: 02/15/2023

LACAVA®

Owner's Manual Zoom Hand Dryer Item #EX42-D1, EX42-D2

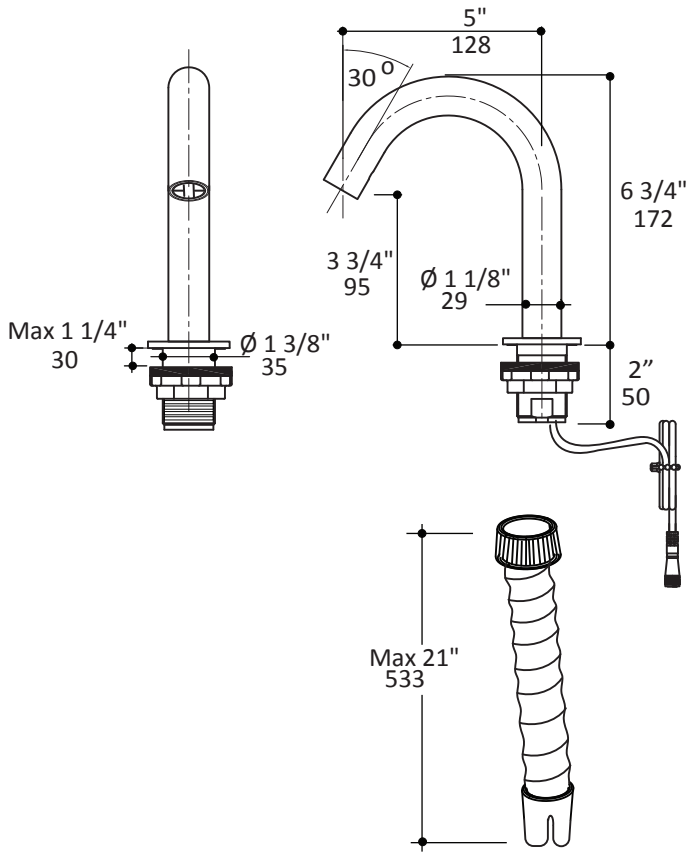
Features:

- Deck-mount single hole hand-dryer
- Easy installation; easy maintenance
- Electronic touch-free (infrared sensor) operation promotes germ free environment
- Brass or stainless steel construction for commercial grade durability
- Includes spout, flexible supply hose, operating box, and installation hardware
- Easy electric plug-in power supply
- UL certified
- HEPA-filter removes 99.99% of particles as small as 0.3 μm , including dust, mold spores and most bacteria from airflow
- Sensing distance range: 4" approx. (10 - 12 cm)
- It can be installed to meet ADA compliance
- Automatic protection stops fixture after 60 seconds of continuous operation
- Power supply: 120V AC, Frequency: 50/60 Hz, Power: 1100W max.
- Meets and exceeds applicable national codes and standards

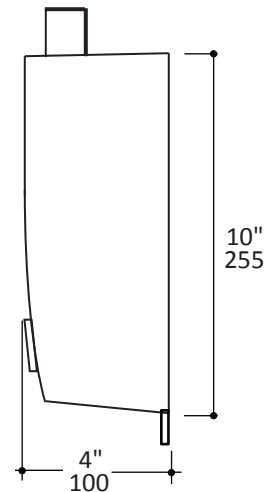
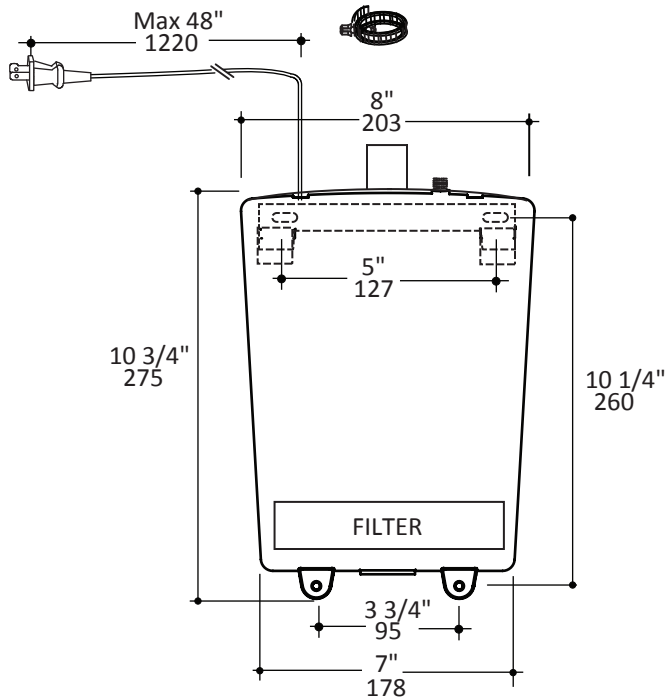
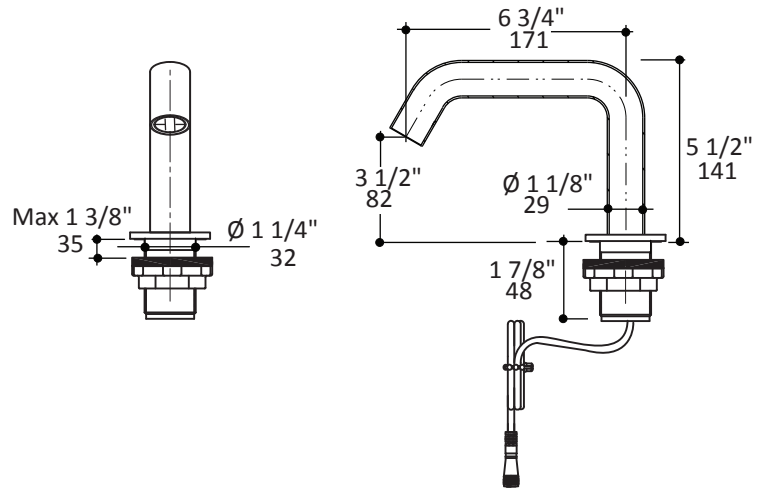


Product Specifications/Especificaciones de Producto

EX42-D1



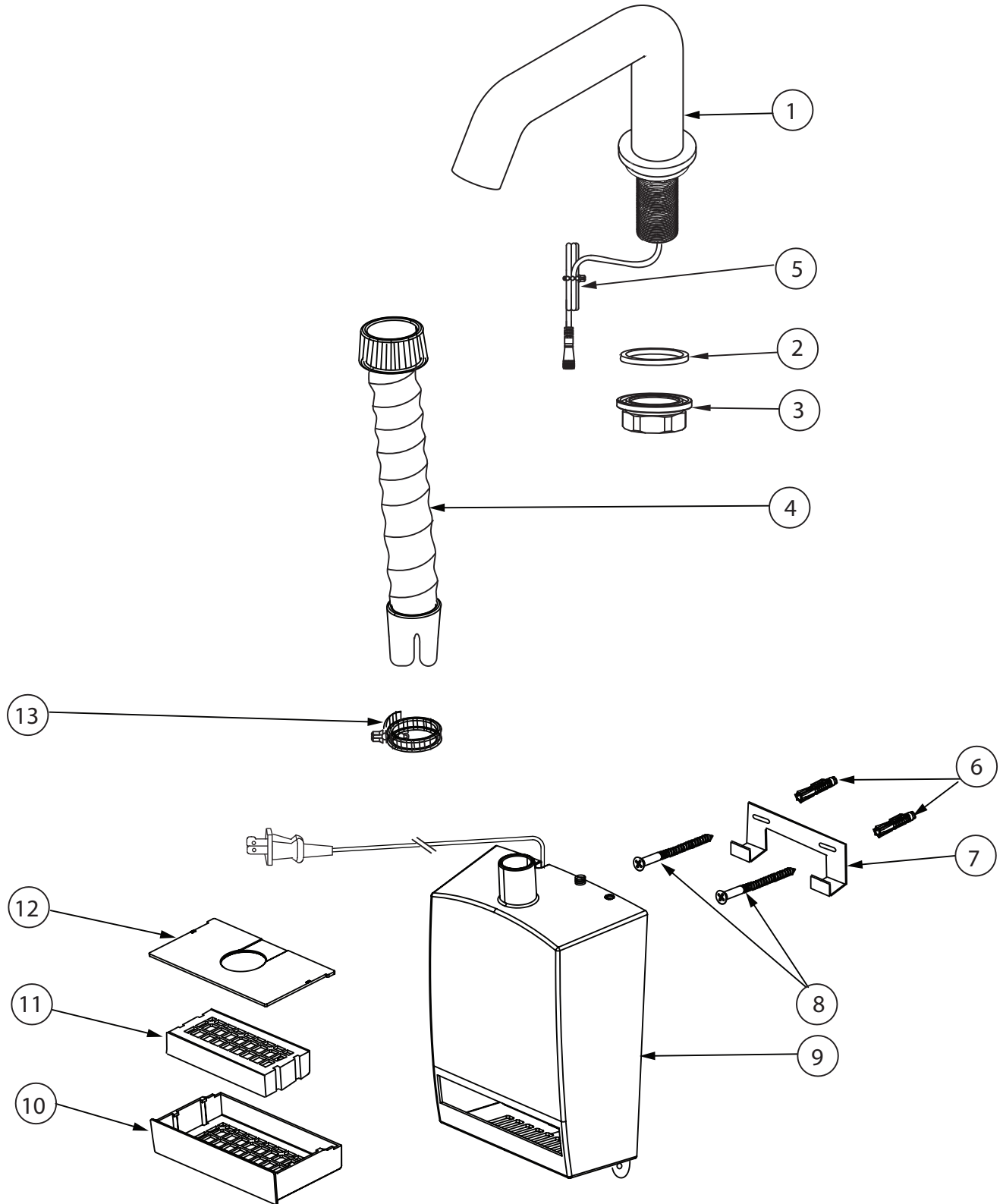
EX42-D2



Note:
Drawings provided herein are meant to give the user an idea of the product and are not made to scale. The sizes in inches are rounded up to the nearest 1/16.

Nota:
Los planos proporcionados en este documento tienen el propósito de dar al usuario una idea del producto y no están hechos a escala. Los tamaños de pulgadas se redondean al más cercano 1 / 16.

Parts Breakdown/Desglosamiento de Partes



Note:
Please reference this sheet and the corresponding part number when requesting parts.
Nota:
Por favor referirse a esta pagina y la parte correspondiente cuando ordene partes.

Installation Instructions/Instrucciones de Instalación

Warnings:

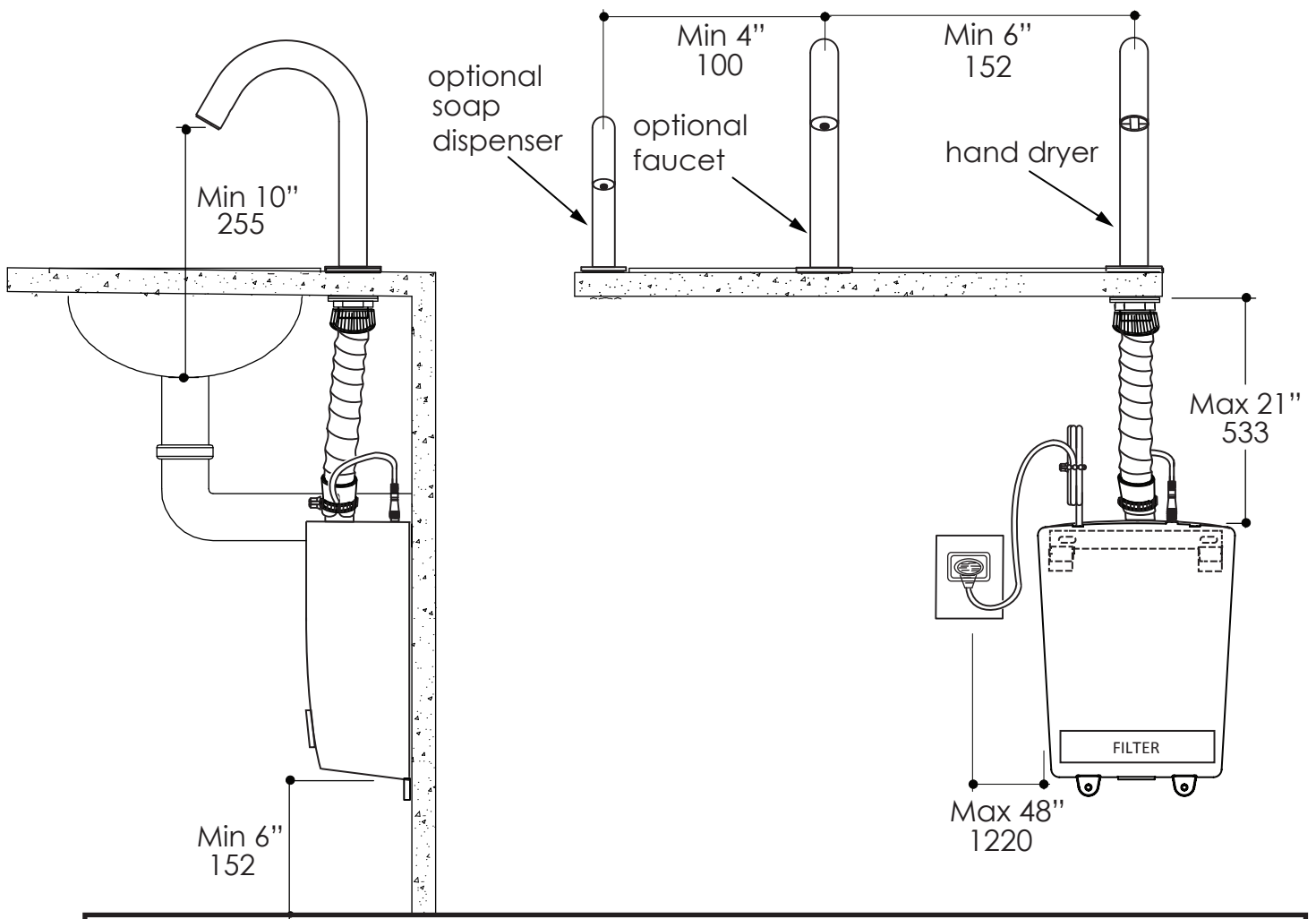
- Do not install the fixture facing a mirror-like surfaces or other electronic systems operated by an infra-red sensor
- Space for installation so that the user hands should not interfere with the sensor detection area while operating a nearby faucet or other objects
- The control box must be accessible after installation

IMPORTANT:

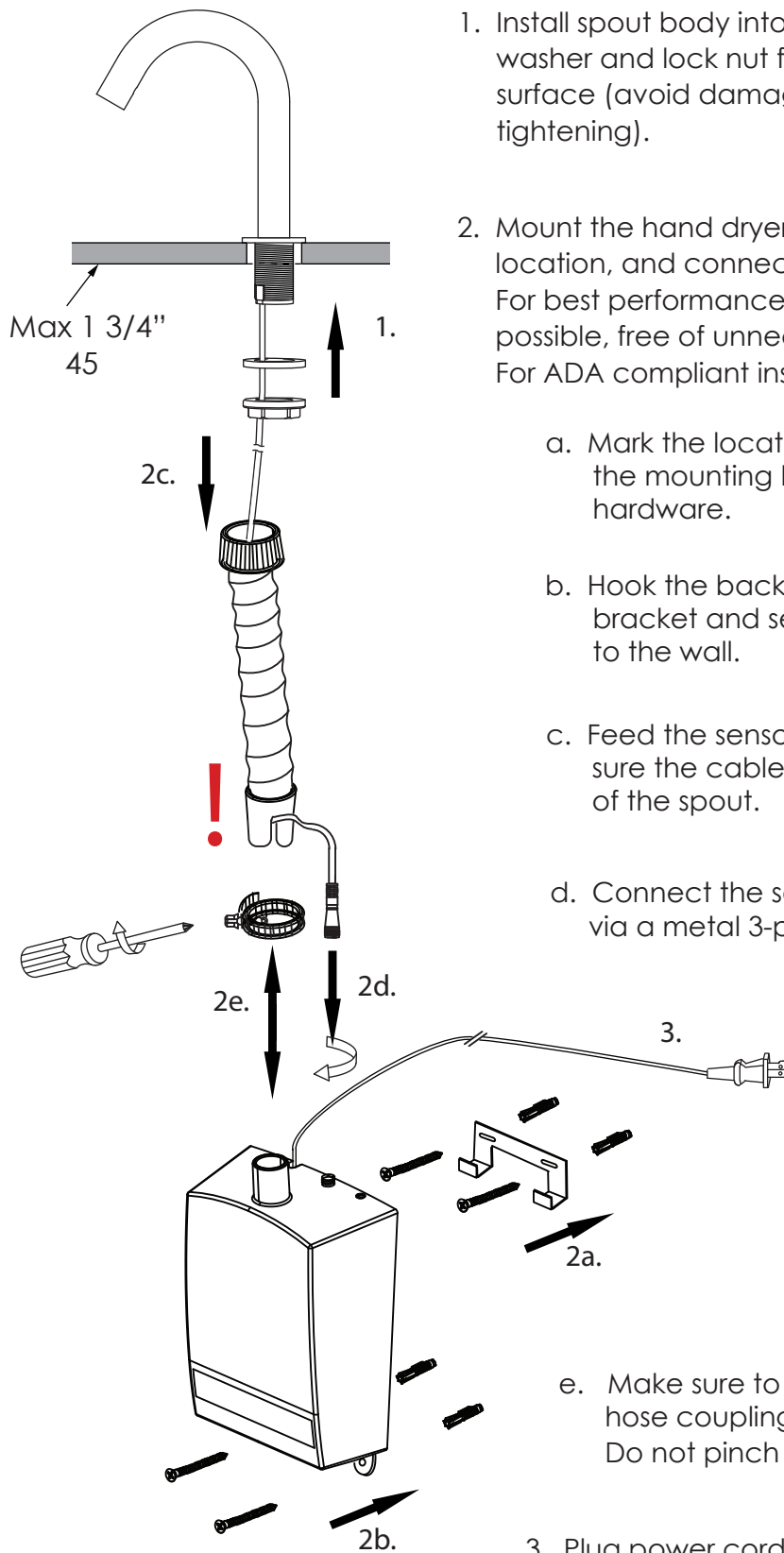
- 1) A dedicated 120 V AC, 15A GFCI minimum outlet must be provided, properly grounded and no more than 4 ft. from the installation of the dryer assembly.
- 2) If no GFCI outlet is provided, contact a licensed electrician to assure proper electrical connections in accordance with local building codes.
- 3) Troubleshooting and internal maintenance must be performed by a qualified service personnel.

Installation Diagram

Mount and install components according to the diagram



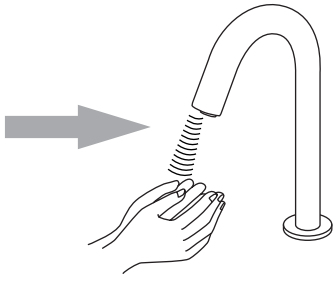
Installation Instructions/Instrucciones de Instalación



1. Install spout body into mounting hole and install washer and lock nut from underneath the mounting surface (avoid damaging mounting surface by over-tightening).
2. Mount the hand dryer operating box within 21" of the spout location, and connect it to the spout with flexible hose. For best performance, keep the connecting hose straight if possible, free of unnecessary turns and twists. For ADA compliant installation, refer to ADA requirements.
 - a. Mark the location of mounting screws, and install the mounting bracket, using the provided or suitable hardware.
 - b. Hook the back of the hand dryer box onto the mounting bracket and secure the bottom of the hand dryer box to the wall.
 - c. Feed the sensor cable through the flexible hose, making sure the cable is not kinked, screw the hose onto the tail of the spout.
 - d. Connect the sensor cable to the hand dryer box via a metal 3-pin aviation plug and hand-tighten the base.
 - e. Make sure to place the sensor cable in the slot on the hose coupling sleeve, and tighten the hose clamp. Do not pinch the sensor cable.
3. Plug power cord to wall socket.

How to Use

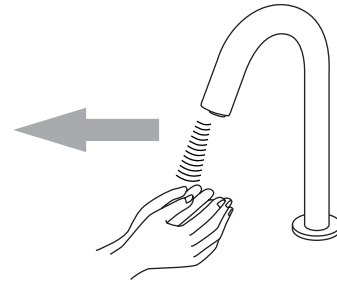
Place hands in the sensor field
2"-4" below the spout's tip



Warm air blows until hands are removed
or for 60 seconds of continuous operation
and then shuts down



Remove hands from sensing field
for 3 seconds to repeat the cycle



Maintenance

WARNING

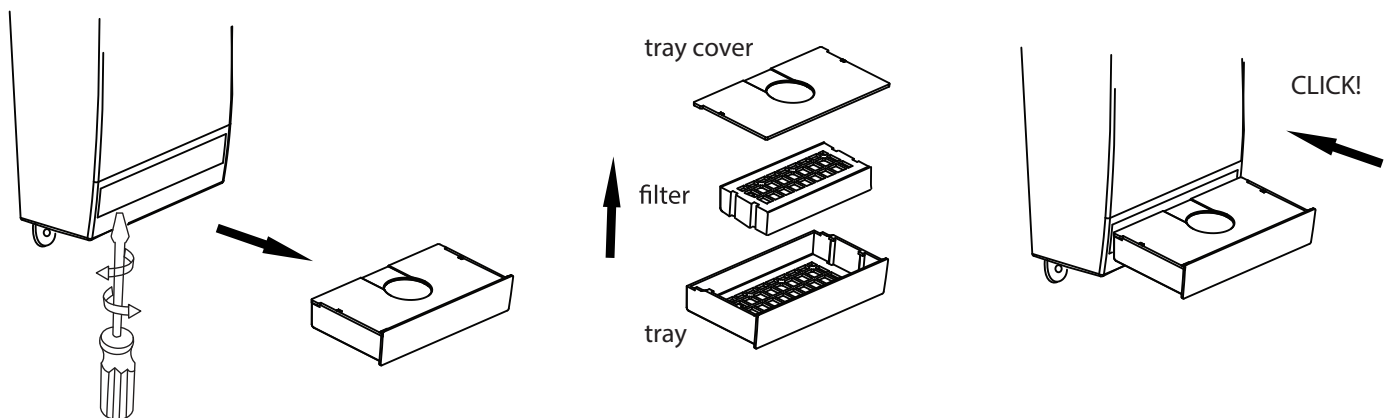
DO NOT operate the hand dryer without the HEPA filter. Operating the hand dryer without the LACAVA provided HEPA filter will void the product warranty. The H Class HEPA filter removes 99.99% of particles as small as 0.3 μm , including dust, mold spores and most bacteria from the airflow. It also ensures that the air flowing through the blower motor is clean and dust free. Running the hand dryer without the filter may cause dust and small particles to be sucked into the blower, which may shorten the service life of the motor.

A clogged-up filter reduces the air flow volume and puts unnecessary stress on the blower motor.

For relatively clean and dry environments, the HEPA filter should be replaced at least every 12 months. For moist or dusty environments, we recommend shorter replacement intervals, e.g. every 3 - 6 months.

FILTER REPLACEMENT

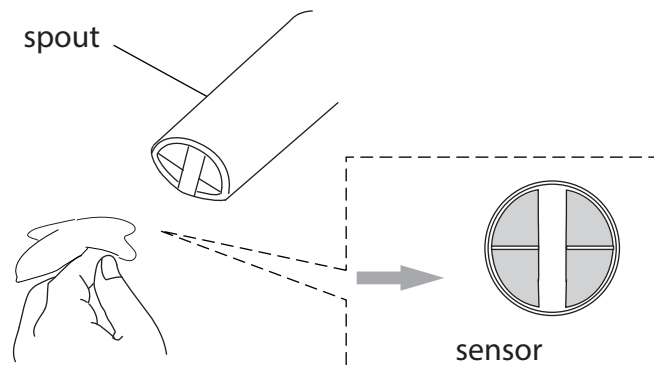
1. Unplug the power cord.
2. Pull out the HEPA filter tray. The tray is click-locked into place with small plastic tabs on the body of the tray. It might be tight when you try to pull it out. Pry it out gently with flathead screwdriver wiggling it slightly side-to-side and up-and-down. Do not use brute force.
3. Remove the tray lid, replace the filter, put the lid back on, and insert the tray back into the hand dryer body. There will be a distinctive "CLICK" when the tray is locked into place.
4. Plug in the power cord, and the hand dryer is back in service again.



CLEANING THE SENSOR WINDOW

Periodically clean the sensor window by wiping the nozzle of the air outlet spout with a clean damp cloth. If necessary, use a little bit of mild soap.

DO NOT use abrasive material, such as steel wool, scotch scrub pads, etc.
The spout is for airflow, not for water. **NEVER** rinse it with water or pour water into the spout.



Cleaning and Care

For best results, please care for this product in accordance with the following instructions:

- Only use warm water and a mild detergent (i.e. dishwashing soap) for cleaning.
- If another cleaner is used, check the label to make sure that it is safe for use on the material being cleaned and always test in an inconspicuous area first.
- Make sure to wipe any excess cleaners off with a damp sponge or cloth and then rinse with water.
- Dry the surface with a soft cloth until dry after each use.
- Never use abrasive materials or cleaners that contain ammonia, bleach or acid, since they can cause damage to the finished surface.

We would like to thank you for your purchase and are confident that you will be able to enjoy our products for many years to come!

Cuidado y Limpieza

Para mejores resultados, por favor cuide des este producto de acuerdo con las siguientes instrucciones:

- Sólo utilice agua tibia y un detergente suave (es decir, el jabón para lavar la vajilla) para la limpieza.
- Si se utiliza otro limpiador, revise la etiqueta para asegurarse de que es seguro para el uso del material para su limpieza y siempre prueba en un área discreta primero.
- Asegúrese de limpiar cualquier exceso de producto de limpieza con una esponja o un trapo húmedo y luego enjuague con agua.
- Seque la superficie con un paño suave hasta que se seque después de cada uso.
- Nunca use materiales abrasivos o productos de limpieza que contienen amoníaco, lejía o ácido, ya que pueden causar daños a la superficie acabada.

¡Nos gustaría darle las gracias por su compra y estamos seguros que usted podrá disfrutar de nuestros productos por muchos años!