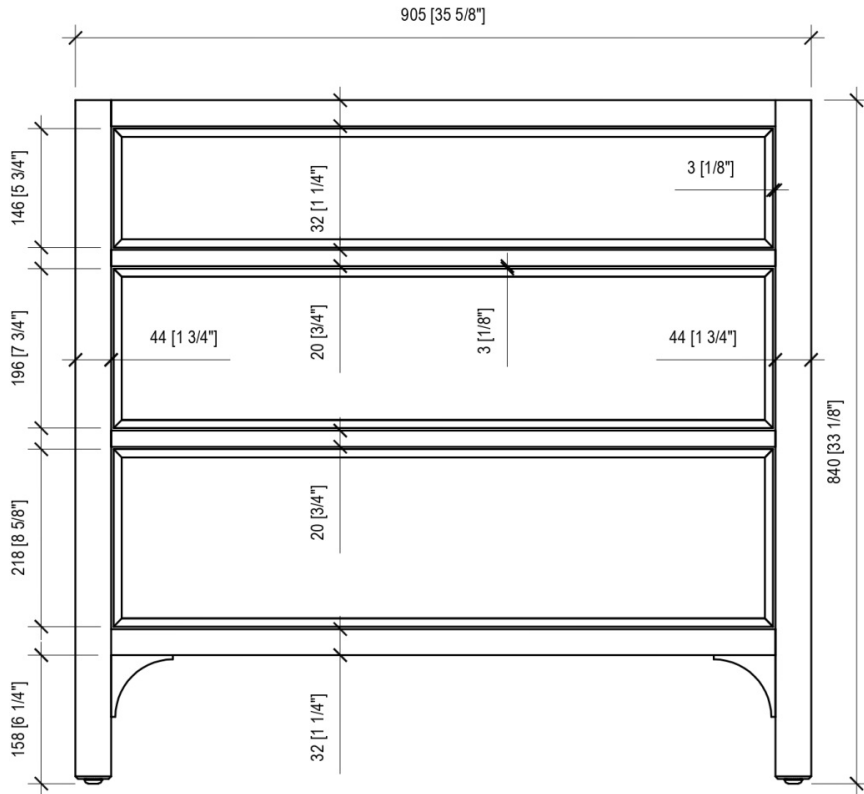
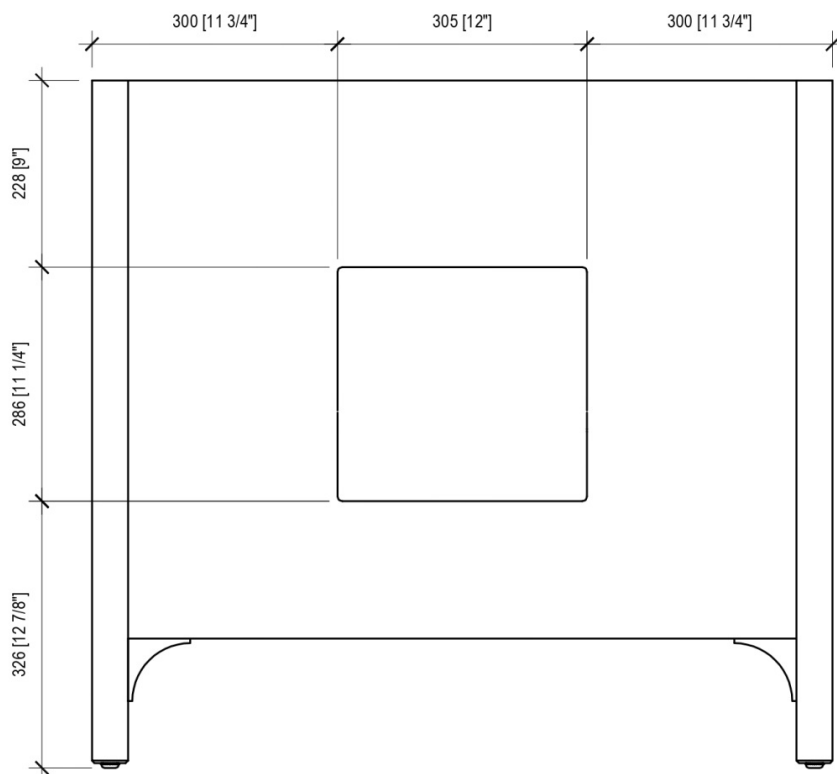


WALLACE 36IN VANITY DIMENSIONS



BACK PLUMBING ACCESS CUTOUTS

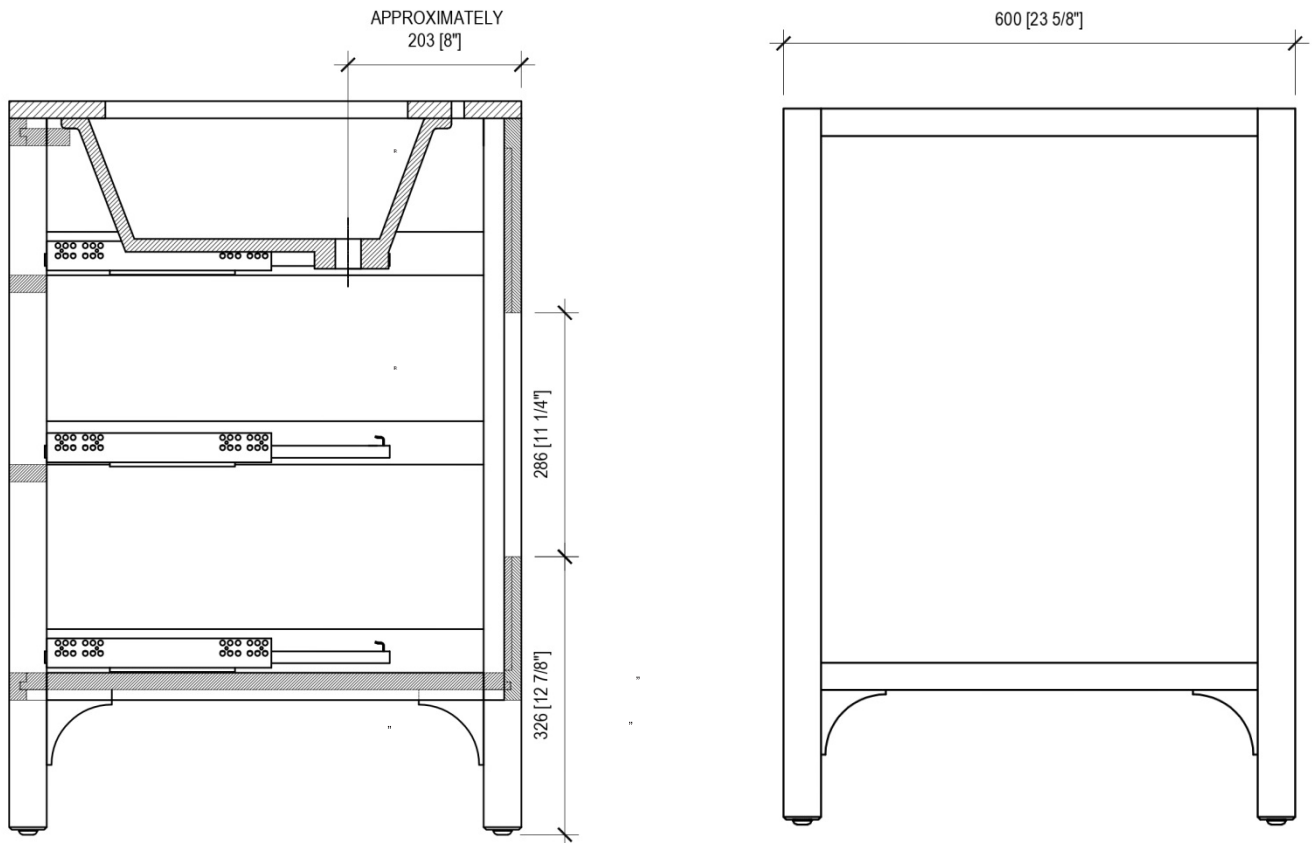
Back is 3/4" thick plywood



29-Sep -2022

WALLACE 36IN VANITY DIMENSIONS

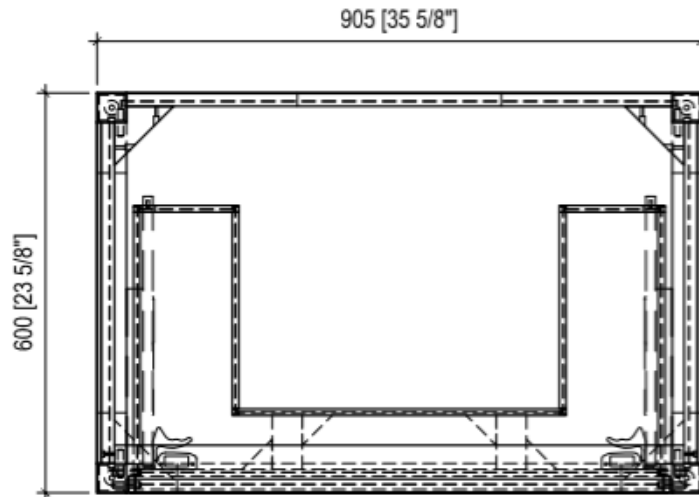
SECTION VIEW LOOKING FROM SIDE



WALLACE 36IN VANITY DIMENSIONS

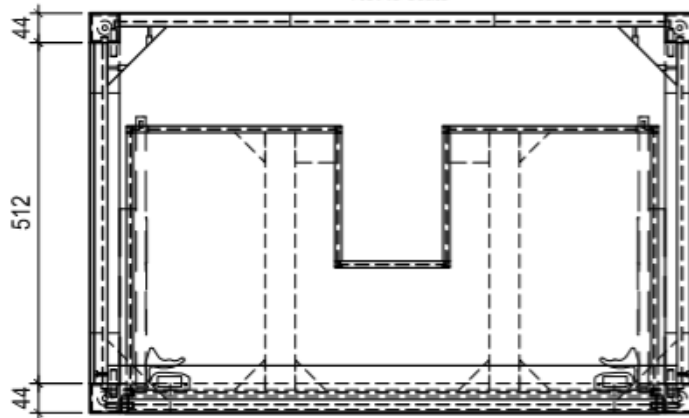
Keep these clearances in mind when routing plumbing.

SECTION VIEW LOOKING FROM TOP



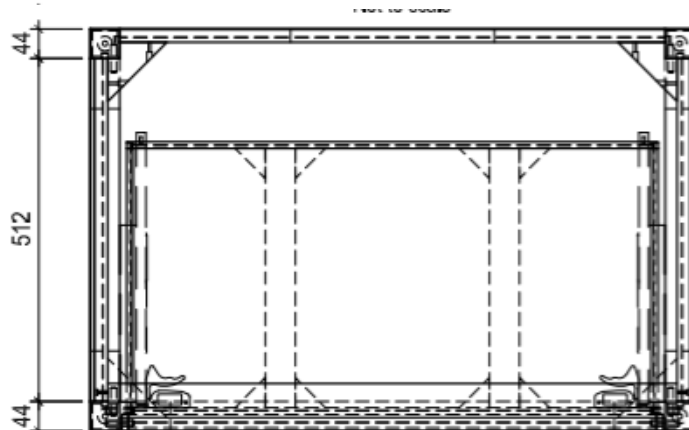
TOP VIEW-A

Not to scale



TOP VIEW-B

Not to scale



TOP VIEW-C

Not to scale

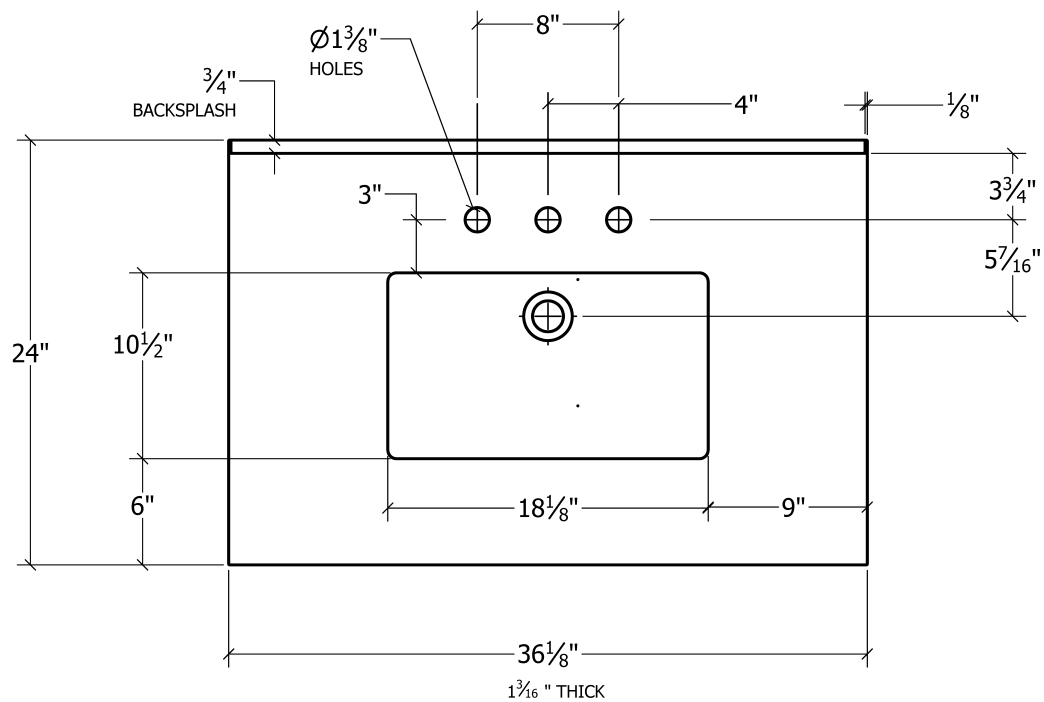
REJUVENATION

Assembly instructions
Instructions d'assemblage
Instrucciones de Ensamblaje

2019-09-13

www.rejuvenation.com

DIMENSIONS



REJUVENATION

www.Rejuvenation.com

Specifications:

Installation:	Undercounter
Interior Dimensions:	18 5/8" w x 11" d x 5 1/2" h
Exterior Dimensions:	20 3/4" w x 13 1/2" d x 7 1/4" h
Material:	Porcelain
Weight:	18 lbs
Overflow:	Yes
Finishes:	001 - White
Faucet Holes:	n/a
Cutout Size:	18 1/8" x 10 1/2" (template available upon request)
Drain Hole Size:	Ø 1 3/4"



Features:

- Porcelain sink with overflow
- Most standard American drains can also be used
- Single glazed (unglazed exterior)
- Current cut-out template can be requested

Codes + Standards:

- Meets and exceeds applicable national codes and standards

ADA

compliant when installed to specific requirements of this regulation

CUT OUT
18 1/8" x 10 1/2"
460 x 267

