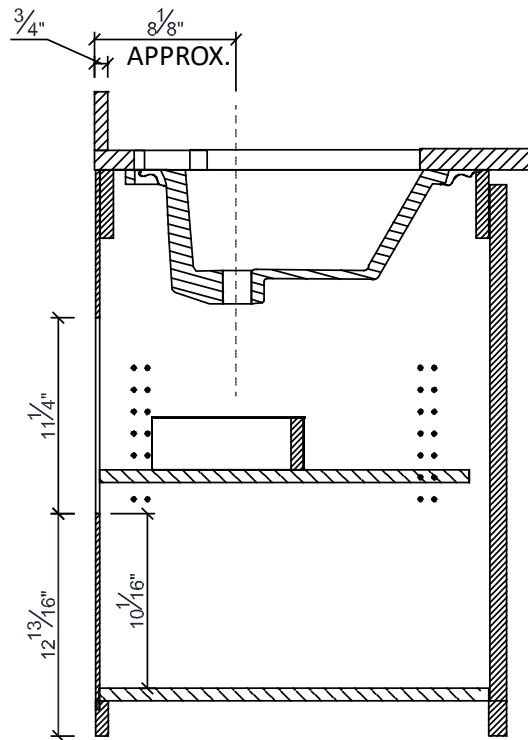


**VALLEY**

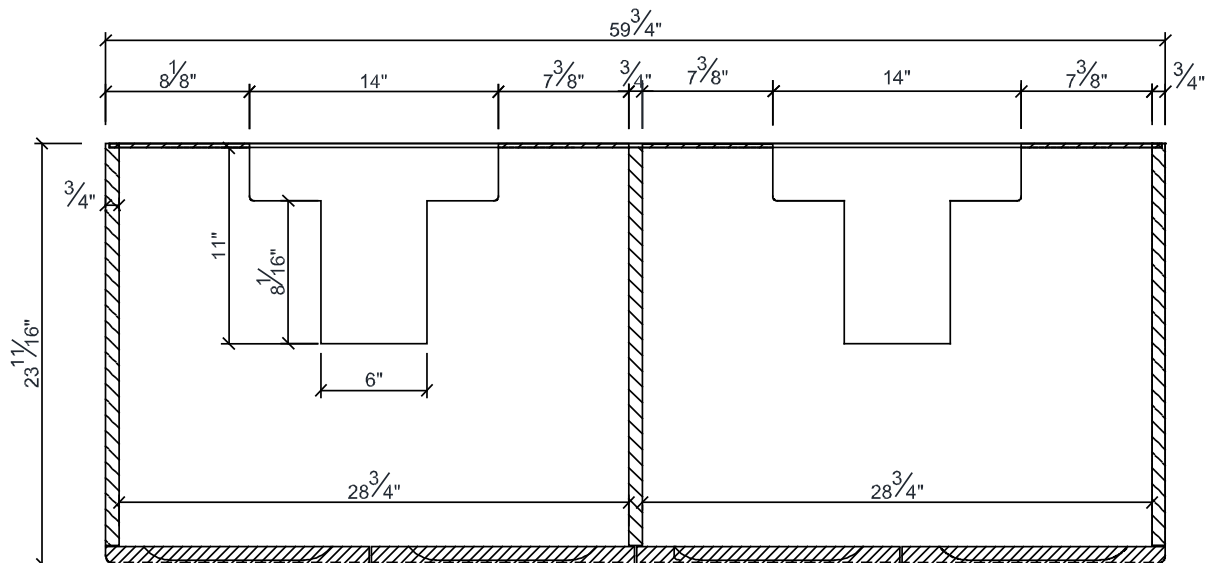
## CONNECT FAUCETS AND PLUMBING

Keep these clearances in mind when routing plumbing

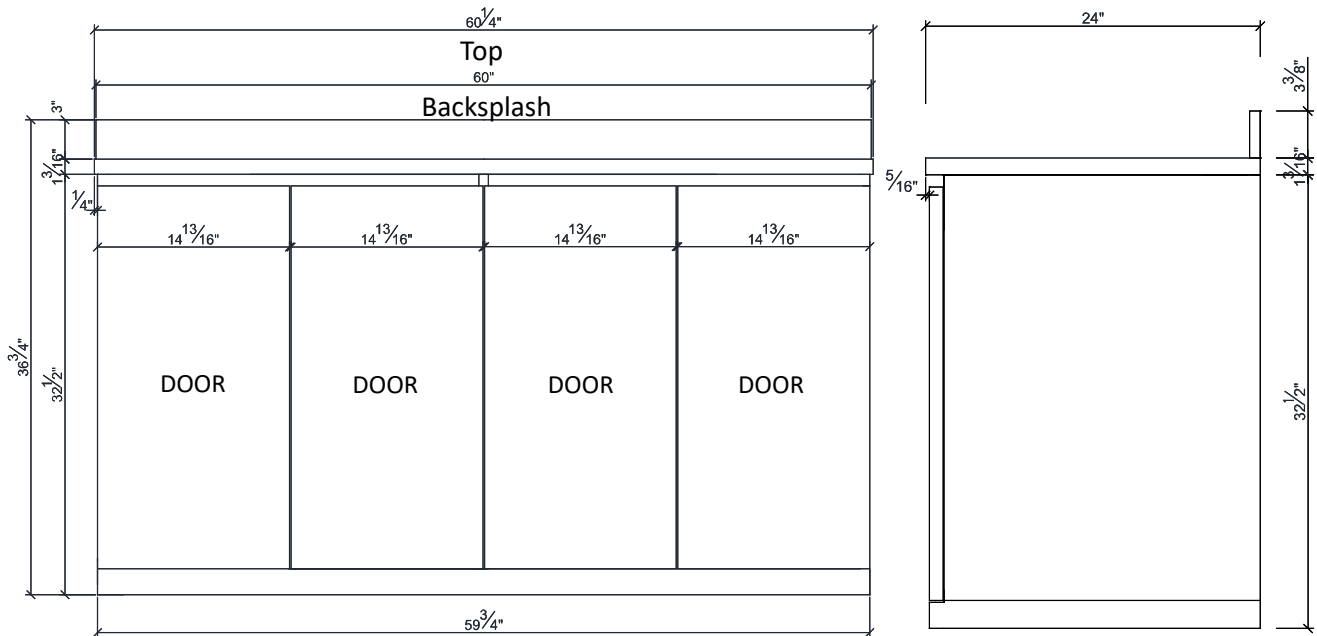
### SECTION VIEW LOOKING FROM SIDE



### SECTION VIEW LOOKING FROM TOP



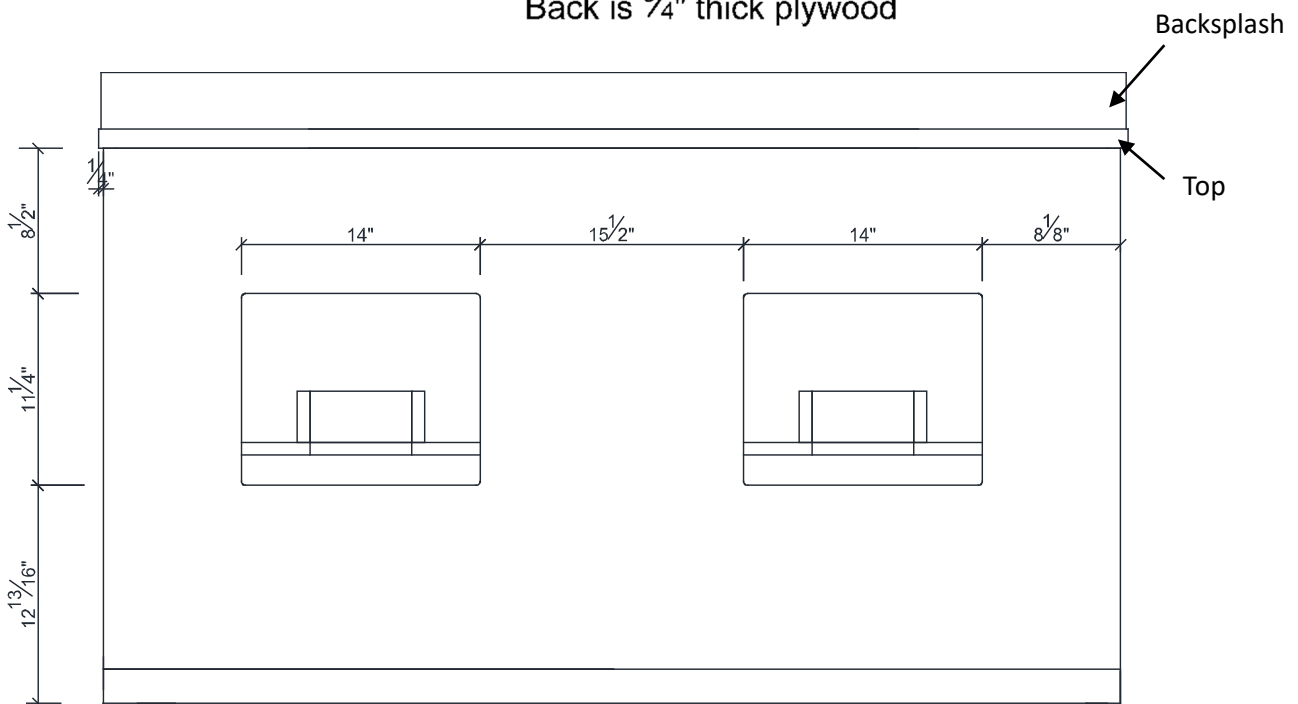
## DIMENSIONS

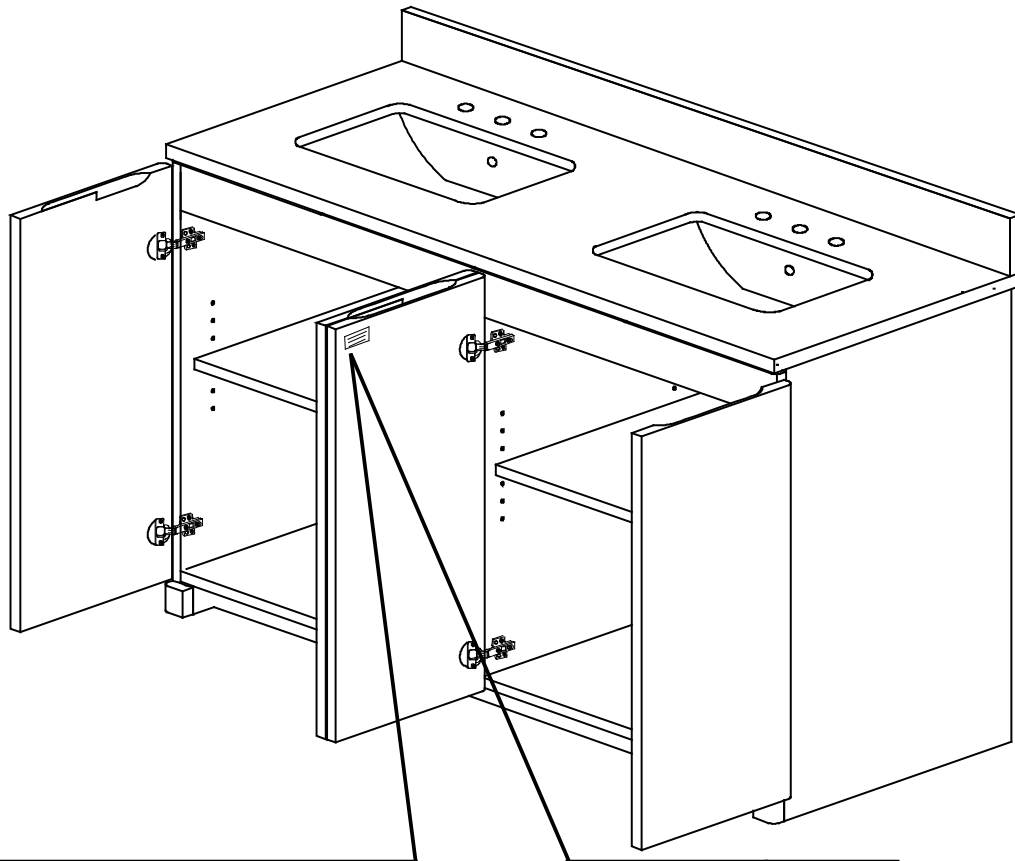


q

## BACK PLUMBING ACCESS CUTOUTS

Back is  $\frac{3}{4}"$  thick plywood





## **WARNING !**

This two doors must not open at the same time.

Ne pas ouvrir la porte en même temps.

No abrir la puerta a la vez.