

REJUVENATION

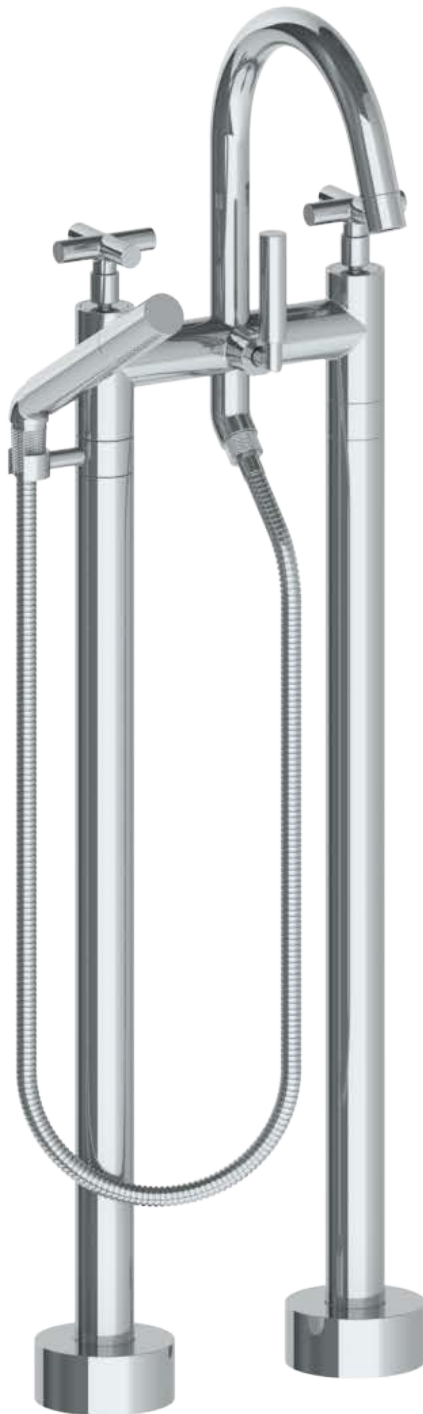
www.rejuvenation.com

WATERHOUSE

Floor Mounted Tub Filler with Hand Shower

Note: Some building codes may require a remote pressure balance valve for anti-scald, such as the SS-PB50.

Hand Shower Flow Rate: 1.75 GPM



Meets the applicable requirements of ASME A112.18.1-2005/CSA B125.1-05, entitled "Plumbing Supply Fittings"

WATERMARK DESIGNS

350 Dewitt Ave Brooklyn NY 11207 USA

REJUVENATION

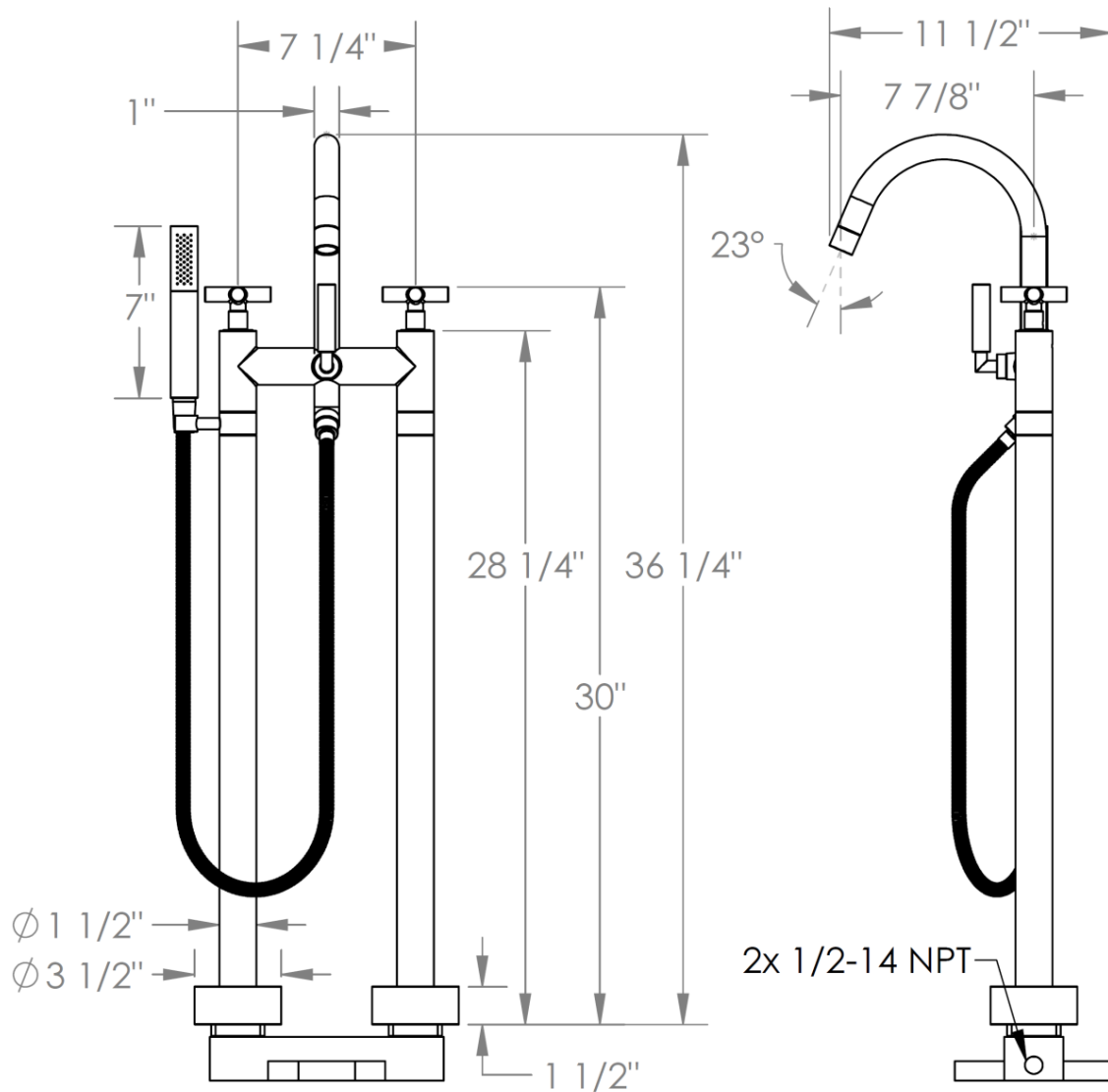
www.rejuvenation.com

WATERHOUSE

Floor Mounted Tub Filler with Hand Shower

Note: Some building codes may require a remote pressure balance valve for anti-scald, such as the SS-PB50.

Hand Shower Flow Rate: 1.75 GPM



Meets the applicable requirements of ASME A112.18.1-2005/CSA B125.1-05, entitled "Plumbing Supply Fittings"

WATERMARK DESIGNS

350 Dewitt Ave Brooklyn NY 11207 USA