

# WICKER DOUBLE BOWL 47" CONSOLE

Cat.No.  
948WH-XX



Faucet not included

### Features:

- ▶ Fine fire clay basin for durability
- ▶ Solid Benchwood Laquered Stand
- ▶ Transitional style
- ▶ Rim: 1-1/4"
- ▶ Available pre-drilled for 8" widespread (948WH-XX)
- ▶ Mounting Hardware Included
- ▶ Pre-drilled overflow holes



### Colors:

- WG** White Wooden Stand
- BL** Black Wooden Stand

**Compliance Certification**  
Meets or exceeds the following specifications: ASME A112.19.1 2018 AND CSA B45.1-18 for Fire Clay fixtures.

### Overall Sink Dimensions

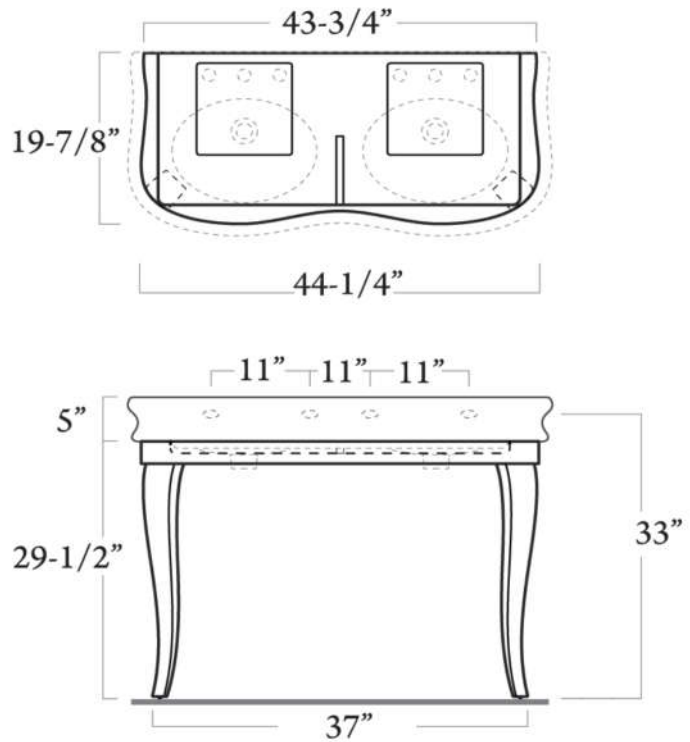
W: 46-3/4"  
D: 21-1/4"  
H: 34-3/4"

### Stand Dimensions

Length: 44-1/4"  
Width: 19-7/8"  
Height: 29-1/2"

### Interior Dimensions:

Each Basin Interior:	16-1/4" x 12"
Each Basin Depth:	6-1/8"
Water depth to overflow	4-5/8"
Side Deck:	6-1/8"
Brackets placement:	28-5/8" x 37-3/8"
Back of basin to center of faucet:	2-1/2"
Back of basin to center of drain:	9"
Mount bolts height:	33"
Mount holes cc:	32"
Faucet and spout holes:	1-1/2"



Dimensions of fixture are nominal and may vary within the range of tolerances established by ASME Standard A112.19.2.2018. Dimensions and specifications subject to change without notice.

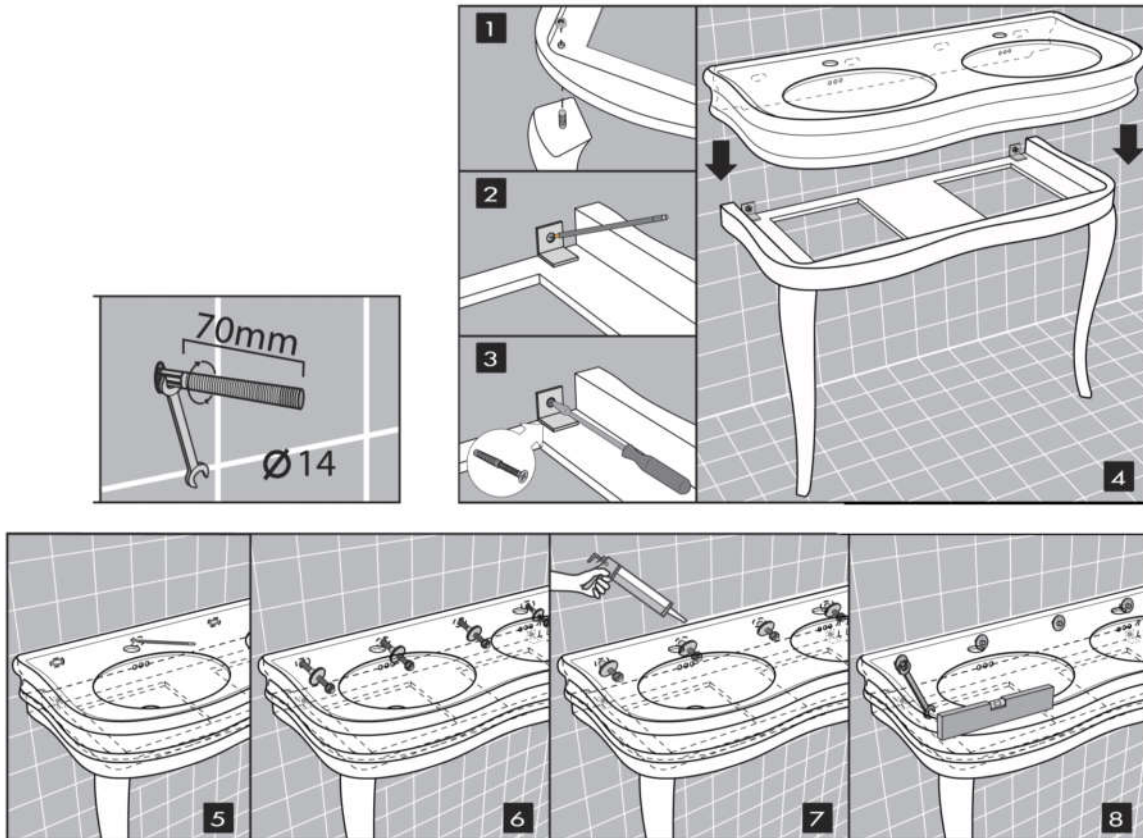
## INSTALLATION INSTRUCTIONS

### Parts Included

- 4-Way Ball Joint • Sets Screws for Flanges • Console Sink Top • Legs • Mounting Hardware Kit

### Tools Needed

- Screwdriver • Drill • Level • One Tube White or Clear Silicone • Pencil •



1. Fix the legs to the top of the stand with the designated screws.
2. Adjust the height and the level of the frame by putting it close to the wall. Mark the fixation points on the wall.
3. Drill, insert the fixing plugs into the wall and fix the stand to the wall.
4. Put the console basin over the stand.
5. Mark the points for fixing it to the wall
6. Put the screws into the fixing plugs inside the wall leaving the threaded part outside for 7cm. insert the console basin into the holes using the plastic washer, and screw the nut until it reaches 5mm between the wall and the ceramic bottom.
7. Seal the opening with silicone; silicone facilitates the grip on the wall and may easily be removed with a cutter.
8. Screw the lower nuts, keeping the surface levelled. It is advisable to screw the nuts gradually, alternative acting on both parts until blocking the piece. Attention: the silicone must be universal, white anti-mould ones.

**NOTE: DO NOT tighten too much or you may damage basin.**