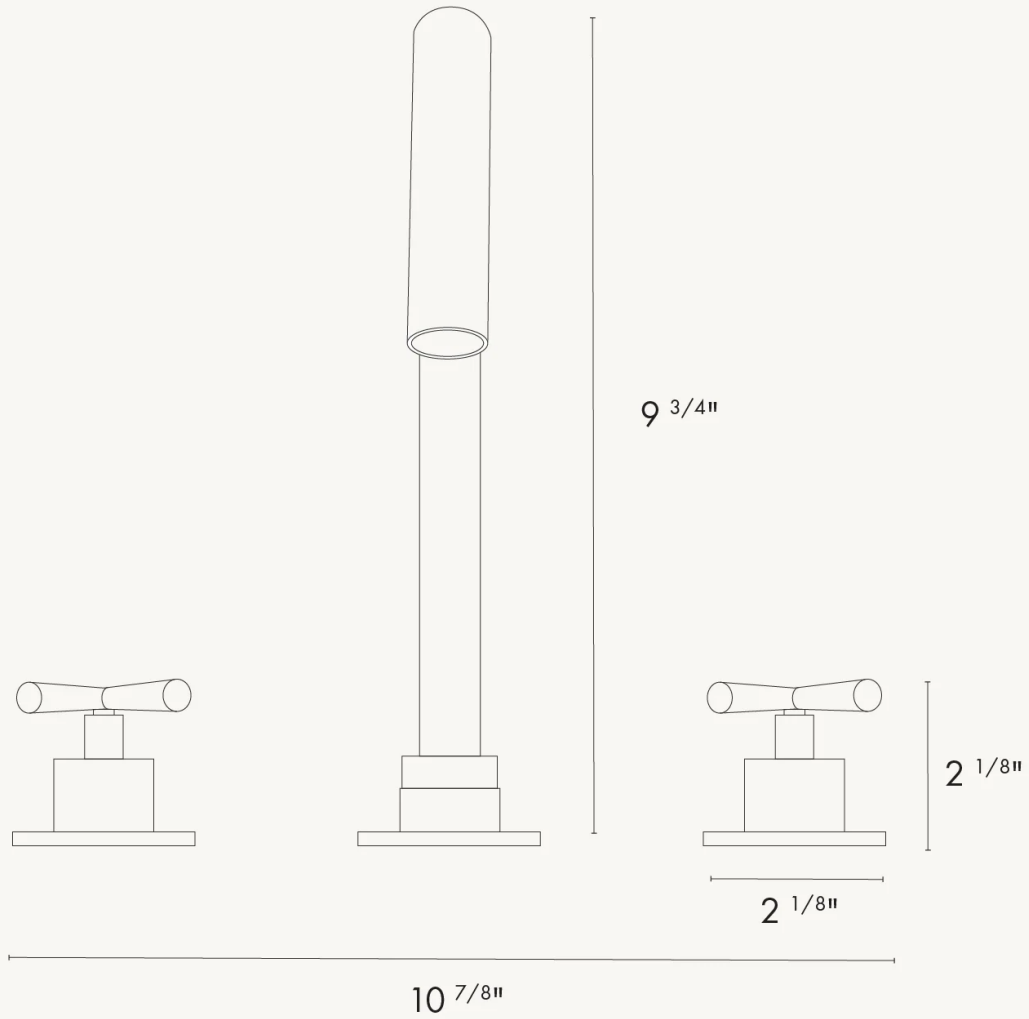


3 HOLE SURFACE FAUCET



CONCRETI