

# Installation Instruction for Yeon Sconce

skill level

• basic electrician

## installation instructions

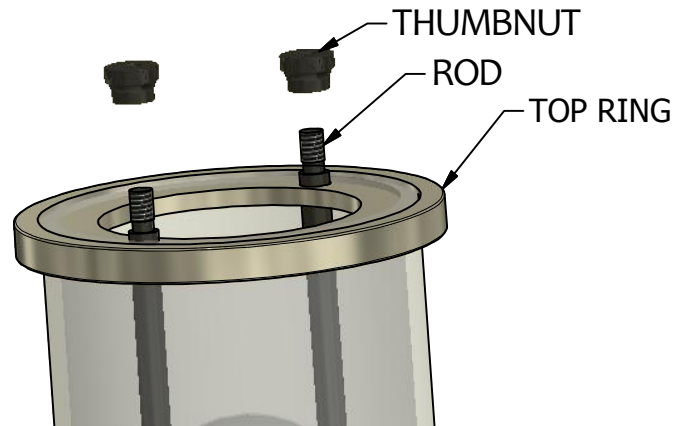
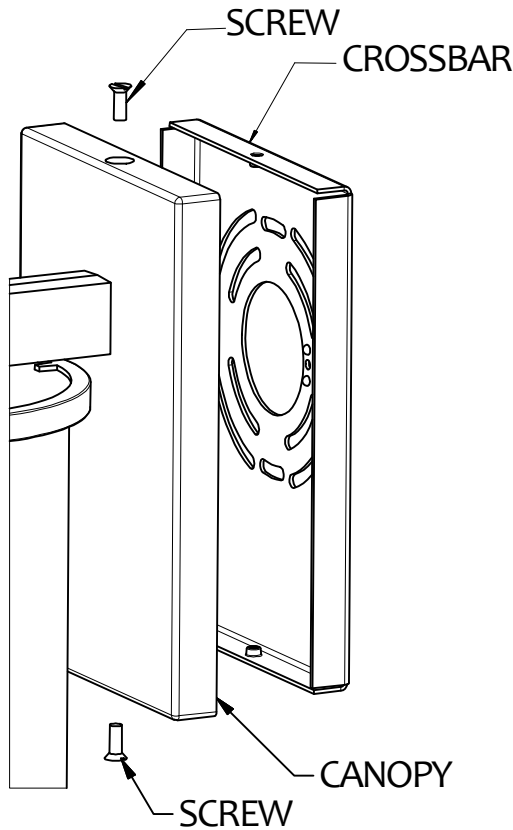
For a safe installation make sure that the electrical box is securely mounted to a structural member of the building.

1. Attach **crossbar** to electrical box using screws supplied with the box.

These fixtures are supplied with a unique crossbar. Most have curved slots in **crossbar** to allow fixtures to be squared to the room, regardless of position of screw holes in the electrical box.

2. Make wiring connections in accordance with local electrical codes. See "Important Information" on reverse side.

3. Using the **canopy screws** supplied with the fixture, attach fixture to **crossbar** through holes in **canopy** top and bottom.



4. Install the shade over the rod onto the fixture, making sure to seat the shade into the base ring.
5. Slide the top ring over the two rods. The ring is designed to slip over the rods until it contacts the top of the shade
6. Install the thumbnuts securely by hand until the ring is snug and the shade is firmly held in place.

Complete!

## REJUVENATION®

2550 N.W. Nicolai Street, Portland Oregon 97210 Customer Service: 888-401-1900 rejuvenation.com

• toolbox

