

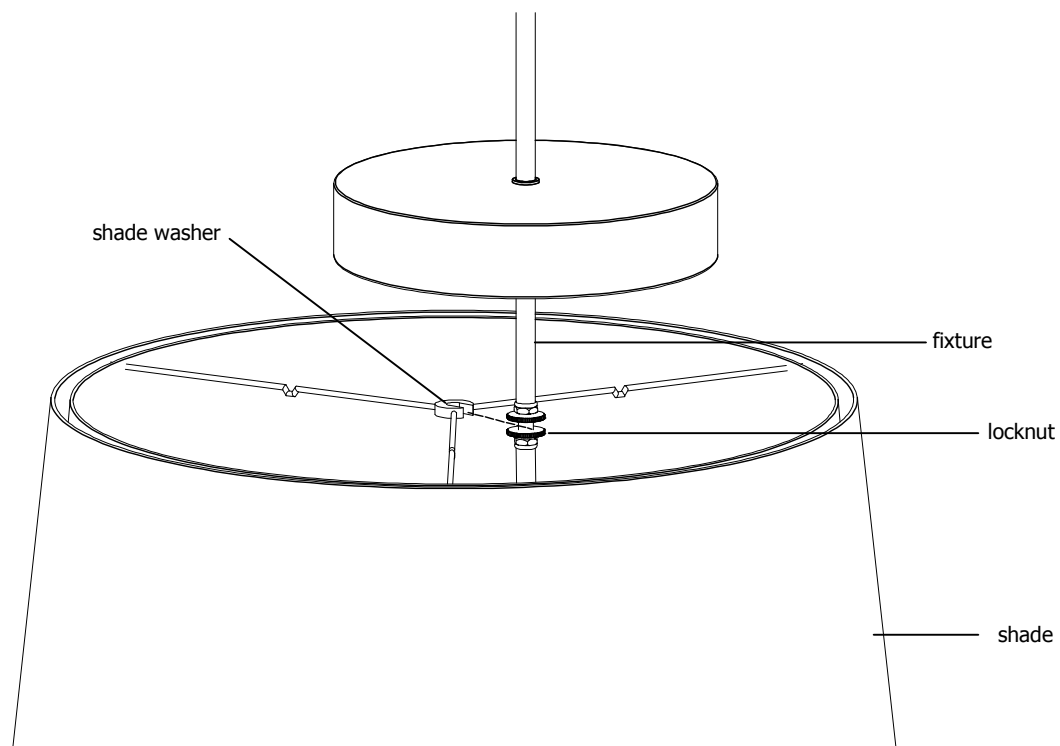
Conifer Shade

skill level ● easy

assembly instructions

1. Create an opening for the shade washer by turning the two locknuts on the fixture.
2. Slide the top of the shade up over the sockets and insert the notched opening of the shade washer into the threaded area between the two locknuts.
3. Secure the shade by hand tightening the locknuts until they are tight against the shade washer.

Complete!



REJUVENATION®

2550 N.W. Nicolai Street, Portland Oregon 97210 Customer Service: 888-401-1900 rejuvenation.com

Conifer Pendant

skill level • basic electrician

installation instructions

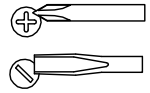
For a safe installation make sure that the electrical box is securely mounted to a structural member of the building.

1. Attach crossbar to electrical box using screws supplied with the box.
Curved slots in universal crossbar allow fixture to be squared to the room, regardless of position of screw holes in the electrical box.

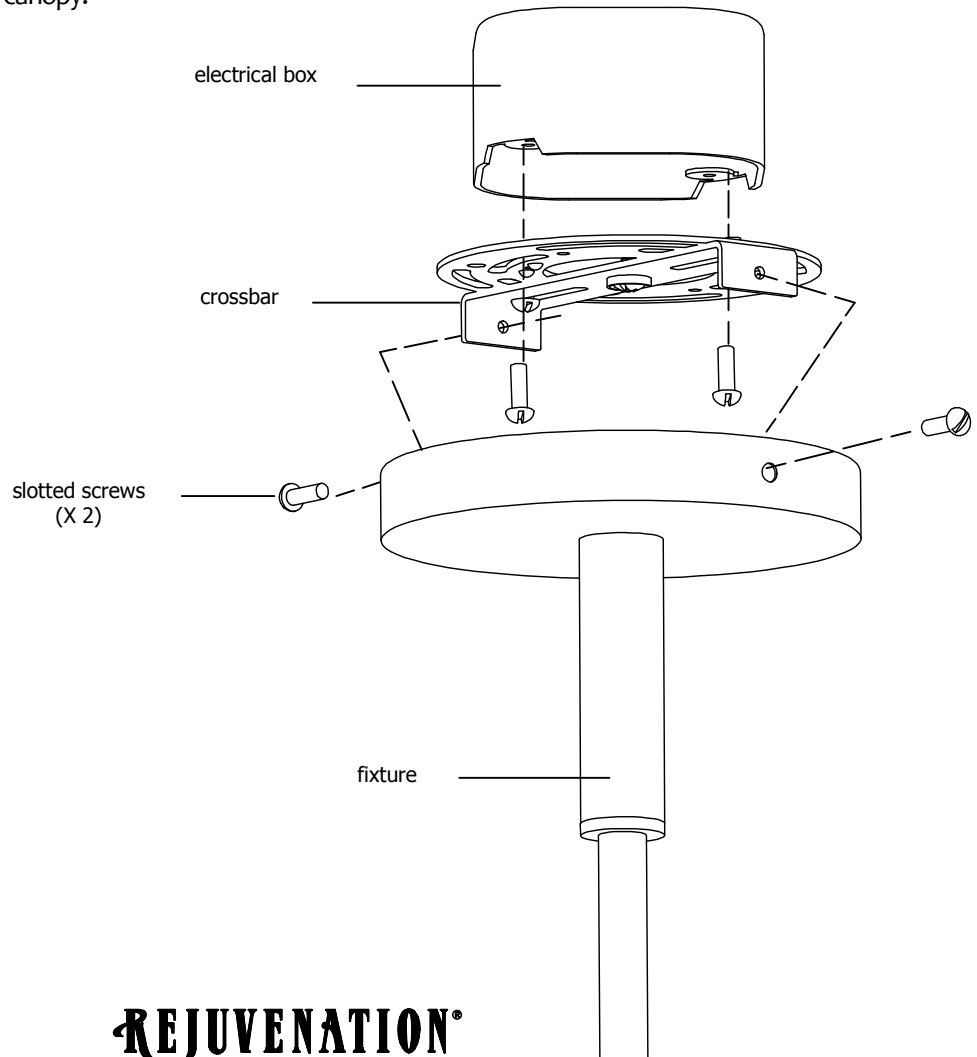
2. Make wiring connections in accordance with local electrical codes.
See "Important Information" on reverse side.

3. Using the two slotted screws supplied with the fixture and a flathead screwdriver, attach fixture to the crossbar through the side holes in the canopy.

• toolbox



Complete!



REJUVENATION®