

Installation Sheet Amelia Pendant

skill level ● handy person

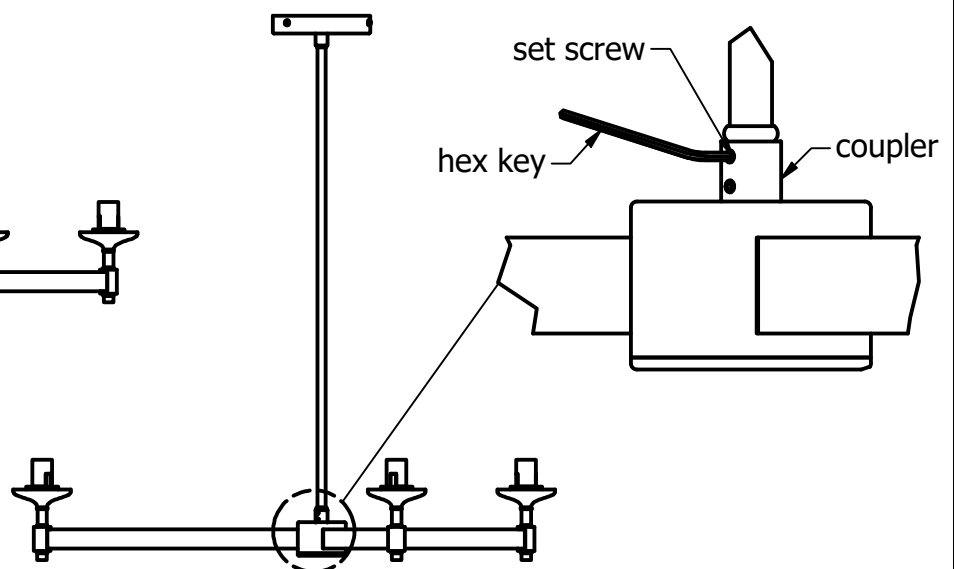
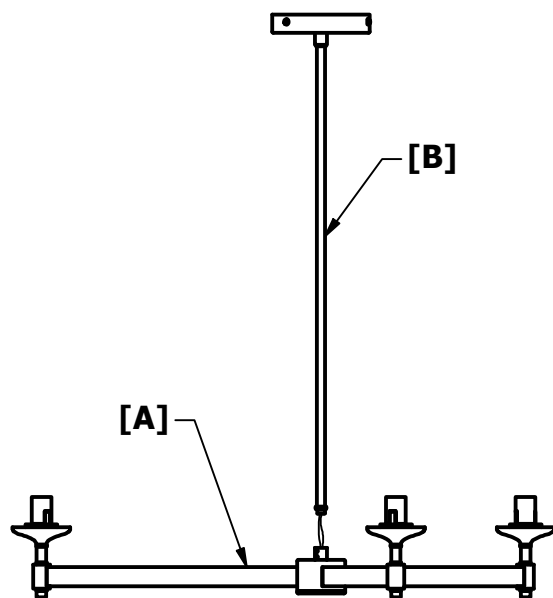
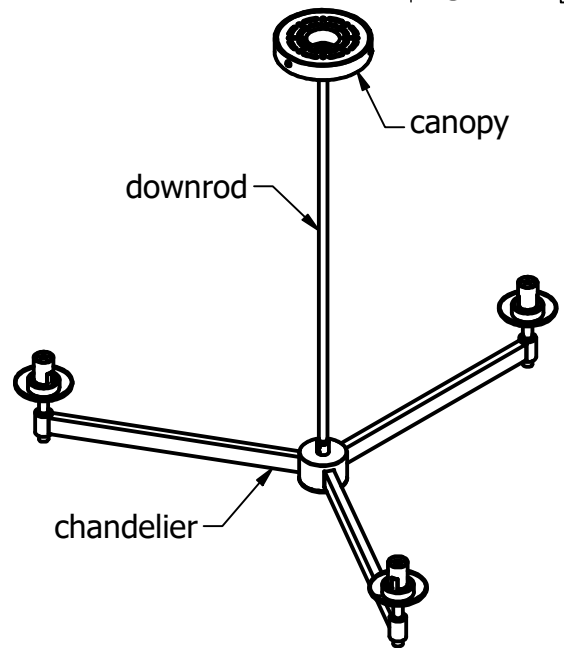
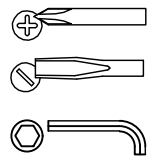
installation instructions

This fixture is suitable for damp locations.

1. Run the fixture wires from chandelier sub-assembly [A] through the downrod canopy sub-assembly [B] as shown.
2. Connect [A] to [B] by threading pieces together tightly as shown. Hold wires snugly above canopy while turning [B] to avoid twisting the wires.
3. With all sub-assemblies connected, secure connection(s) by tightening set screws in coupler(s) using provided hex key tool.
4. Follow instructions according to "Installation sheet side canopy screw mount" to mount the fixture to ceiling using the crossbar.
5. Make the wiring connections in accordance with local electrical codes. See "Important Information" on reverse side.

Complete !

● toolbox



REJUVENATION

2550 N.W. Nicolai Street, Portland Oregon 97210 Customer Service: 888-401-1900 rejuvenation.com