

REJUVENATION®

Tubular - Installation Instruction

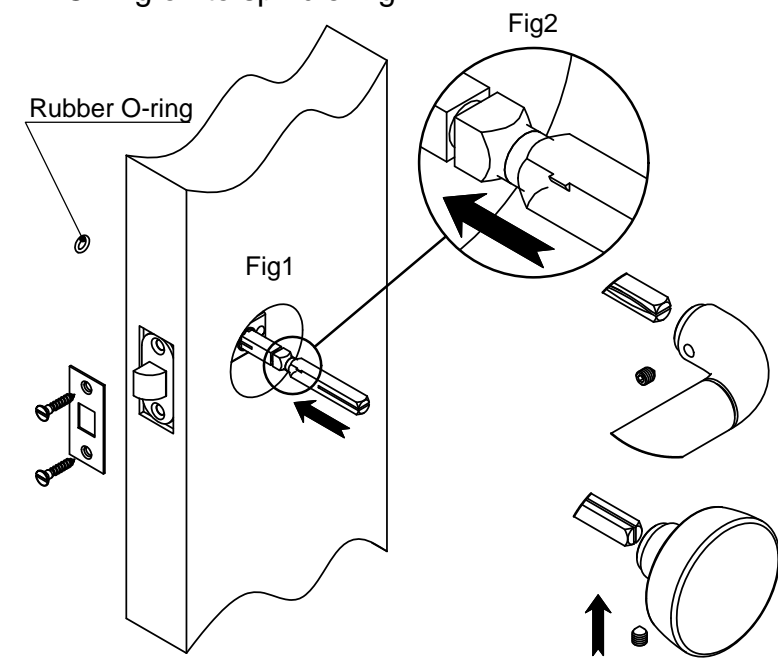
CALIFORNIA PROPOSITION 65 WARNING: This product contains brass hardware components which contain lead, a heavy metal known by the State of California to cause cancer, birth defects, or other reproductive harm.

Latching Sets

Step 1

Installing the Latch

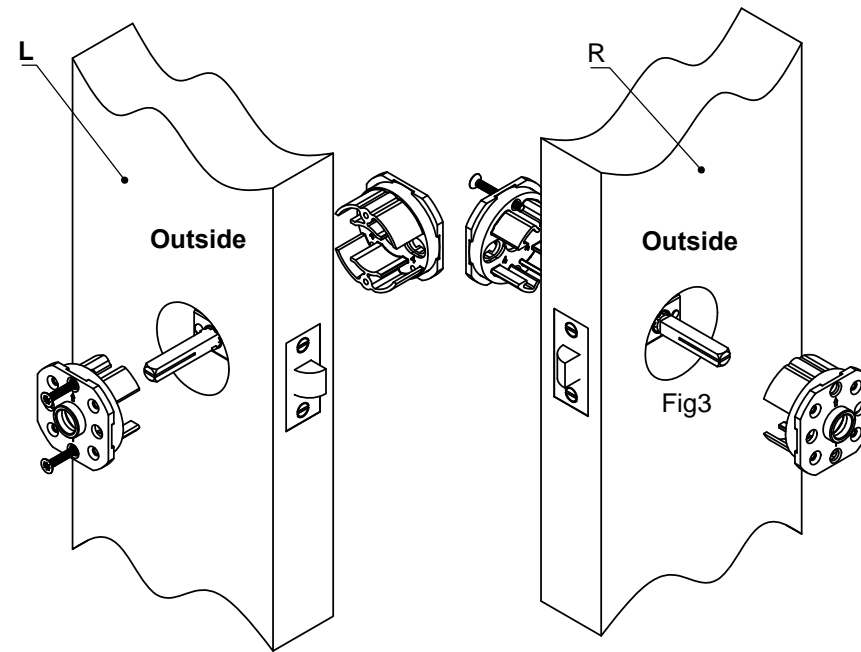
Install latch as shown in Fig 1, install spindle until it stops. When spindle is in position install rubber O-ring on to spindle Fig 2



Step 2

Installing the Brackets.

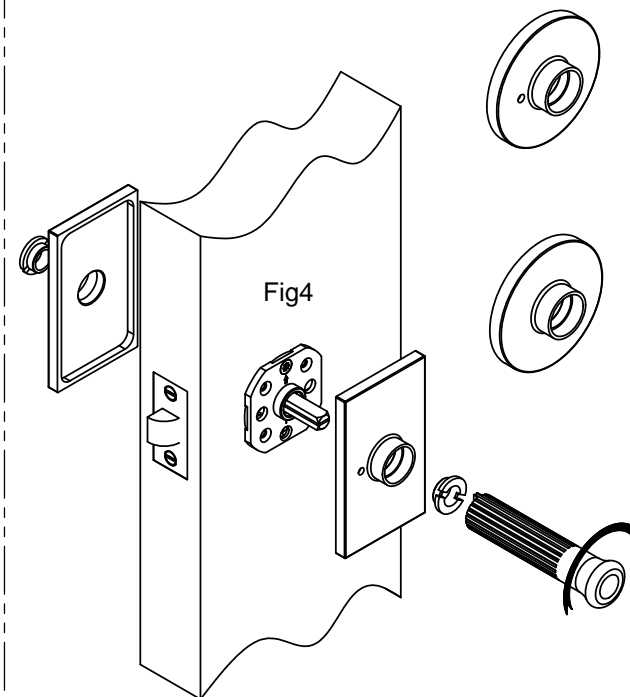
Note: The bracket is designed to allow the knob to turn in one direction only. There is a male and female half. Make sure that the female half is installed as illustrated below Fig 3. Make sure arrow is pointing up. Secure with provided fasteners



Step 3

Installing the trim plates

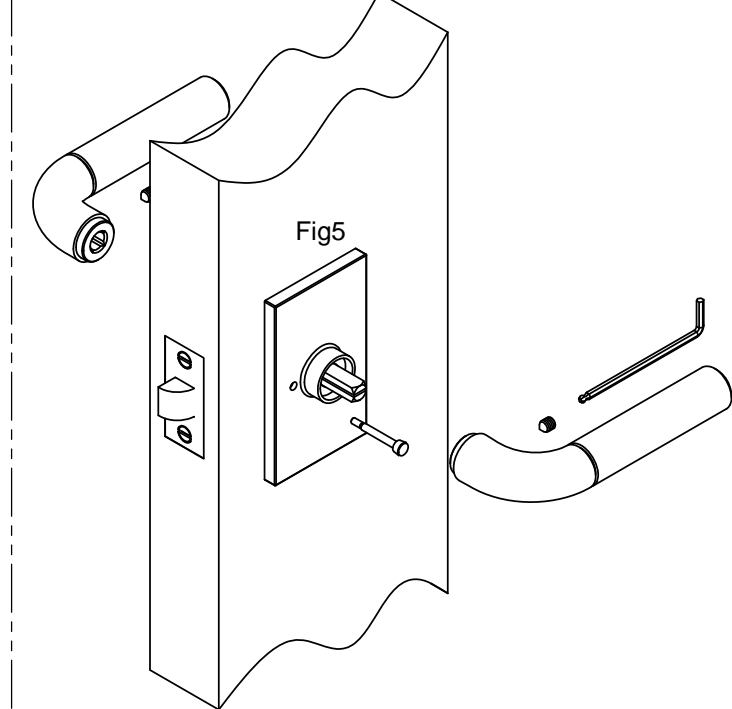
Install trim plates as shown in Fig 4, secure plate using castle nut & wrench.



Step 4

Install knobs/levers by sliding them onto the spindle.

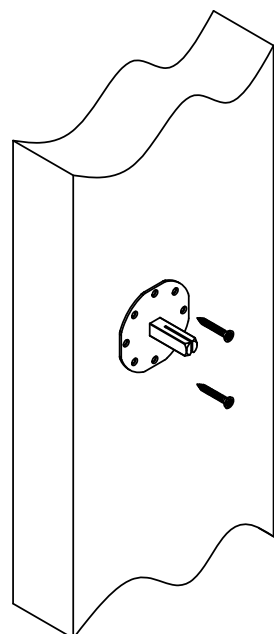
Secure with provided set screws & wrench. As shown in Fig 5 Install privacy pin on required sets



Dummy Sets

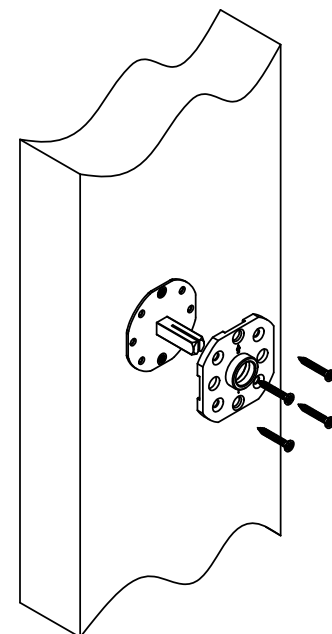
Step 1

Install dummy spindle



Step 2

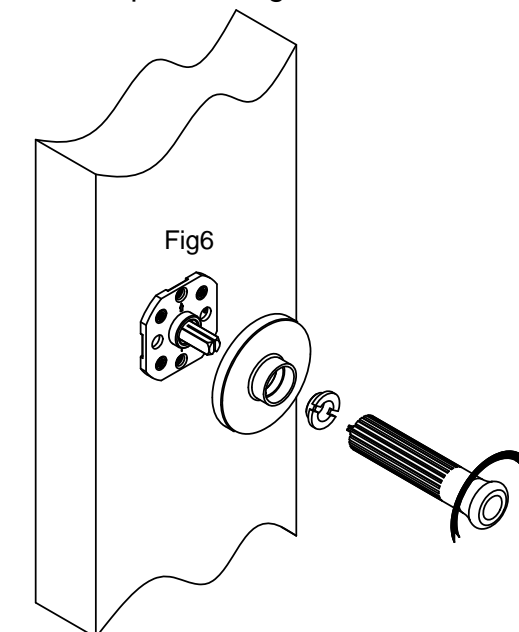
Install dummy bracket



Step 3

Installing the trim plates

Install trim plates as shown in Fig 6, secure plate using castle nut & wrench.



Step 4

Install knobs/levers by sliding them onto the spindle.

Secure with provided set screws & wrench.

