

PARTS LIST

ITEM	QTY	PART NUMBER	DESCRIPTION
1	1	00038006	Shade classical globe fluted 8 in dia glass cased white
2	1	00031786	Ring threaded insert female M42x2 x 10mm lg

- GLASS TO BE FREE OF EXCESSIVE BUBBLES AND VOIDS.
- INTERIOR AND EXTERIOR SURFACE TO BE SMOOTH WITHOUT MOULD MARKS, RIPPLES, OR OTHER SURFACE IRREGULARITIES.
- SHADE MUST BE AS EVEN MATERIAL THICKNESS THROUGHOUT AS IS FEASIBLE.
- AND MUST BE BALANCED AS MUCH AS FEASIBLE.
- NO RUST.

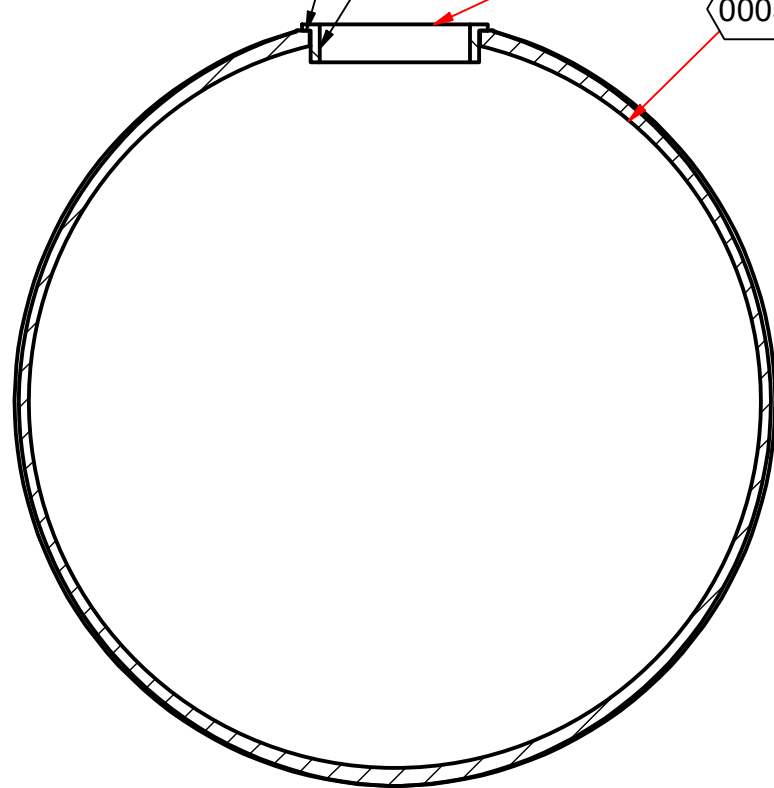
SEE CAD FOR GEOMETRY DETAILS  
 SHADE MUST BE INDIVIDUALLY  
 PACKAGED AND LABELED

EPOXY/GLUE 00031786 TO GLASS SHADE  
 FLANGE MUST SIT FLAT AGAINST GLOBE  
 WIPE AWAY EXCESS EPOXY/GLUE,  
 SQUEEZE OUT MUST NOT BE VISIBLE

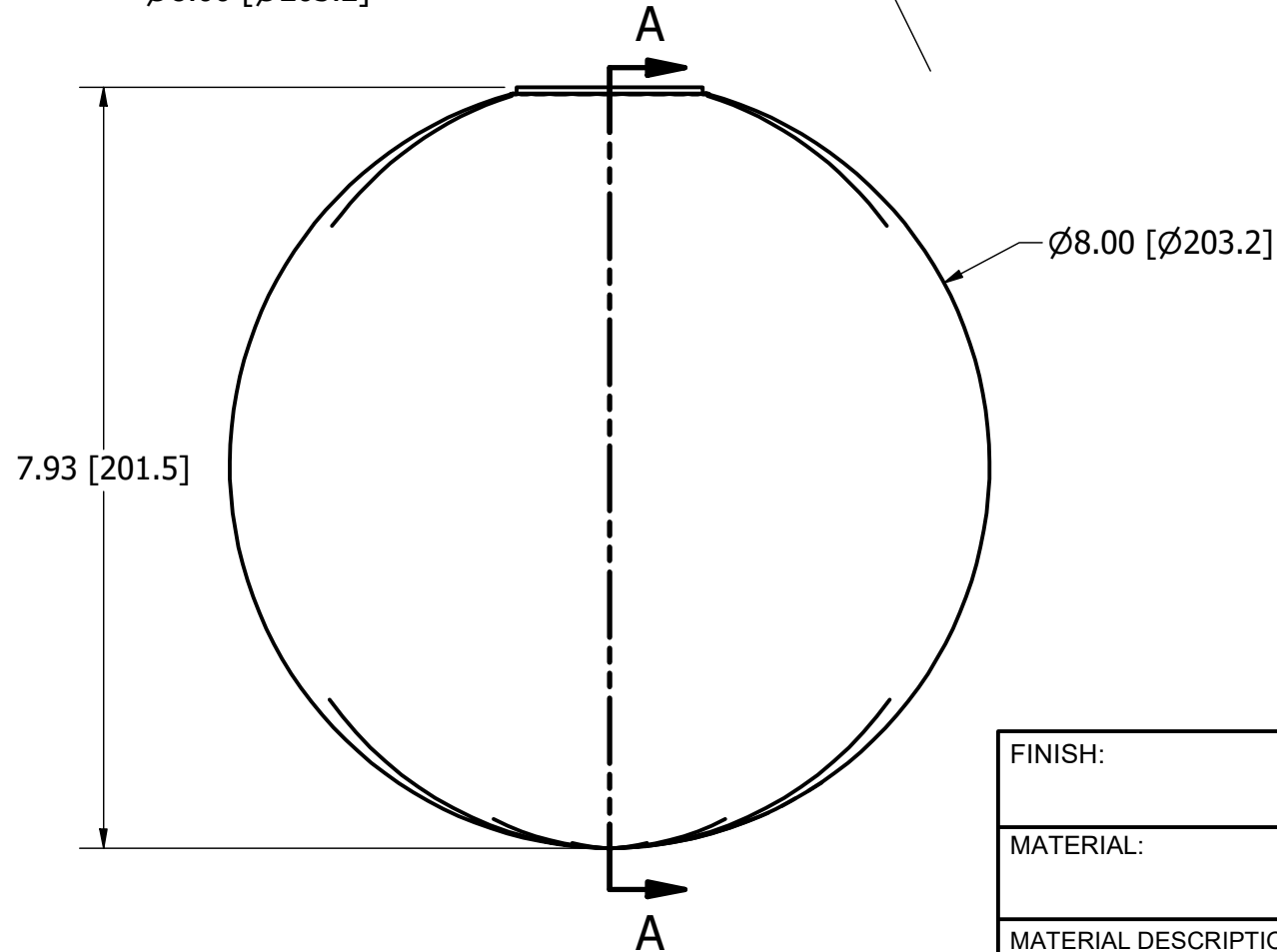
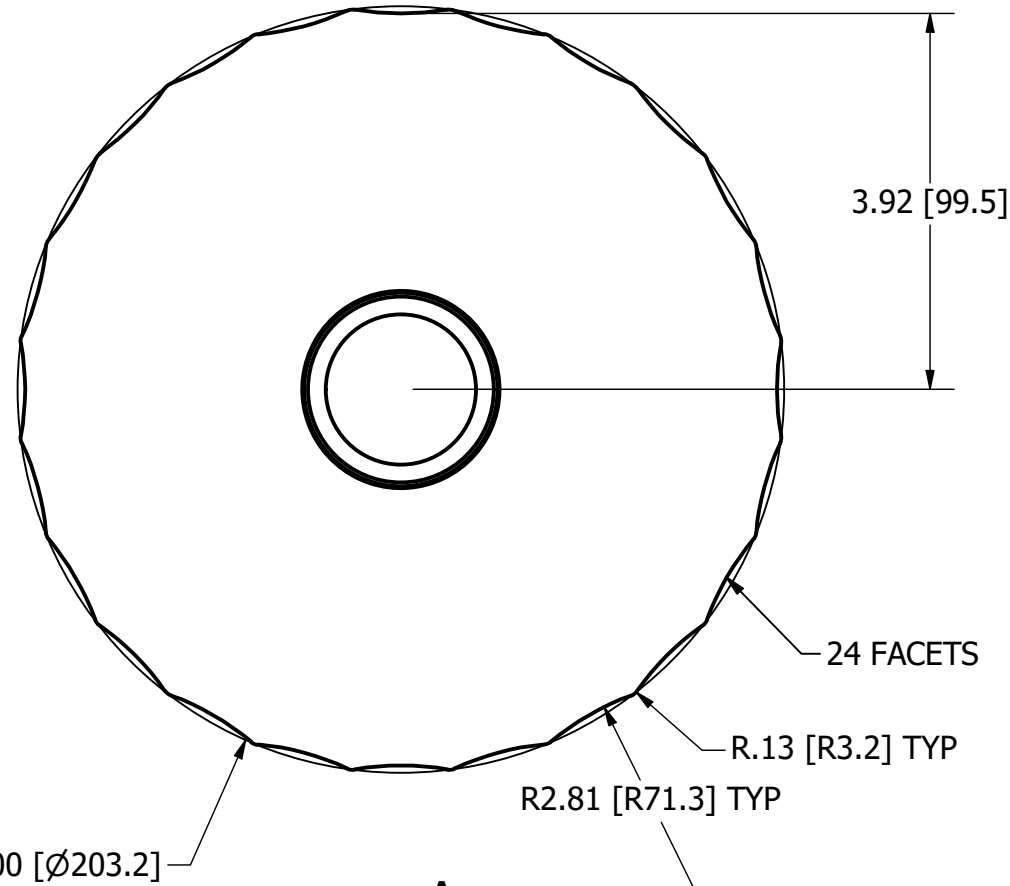
M42 X 2.0 - 6H  
 FULLY THREADED

00031786

00038004



SECTION A-A  
 SCALE 1 / 2



FINISH:	ITEM #: B1363 -- CWH	REV   0
MATERIAL:	DESCRIPTION: Shade enzo doric globe m42 thread 8in glass cased white	
MATERIAL DESCRIPTION:	DRAWN BY: KD	DATE: 10/30/2023
WEIGHT lbs [kg] : 2.124 lbmass	SCALE: 1 / 2	DO NOT SCALE DRAWING FOR DIMENSIONS
	SHEET 1 OF 1	SHEET SIZE: B
	TOLERANCES X.X ±0.1 [2.5] X.XX ±0.05 [1.27] X.XXX ±0.010 [0.25] ANGULAR ±1°	
	REJUVENATION <small>PROPRIETARY AND CONFIDENTIAL INFORMATION CONTAINED IN THIS DOCUMENT IS THE PROPERTY OF REJUVENATION INC.</small>	