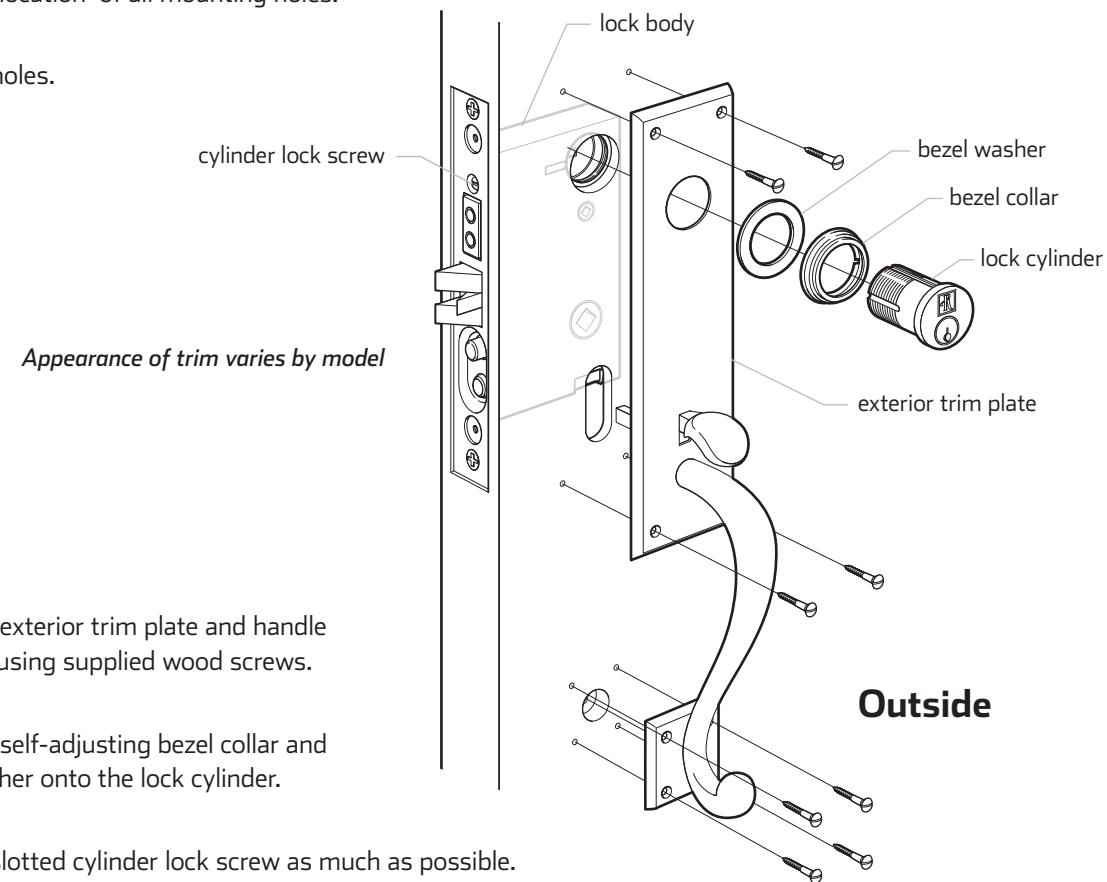
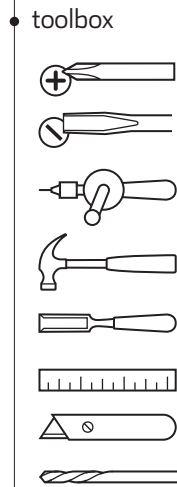


Exterior Door Set - Right Handed

skill level • advanced carpenter

installation instructions

1. Referring to the template, cut mortise into door edge for the lock body.
Note: A small pocket at front right is required.
2. As specified on template, mark and drill holes.
Note: Some holes go entirely through the door and some do not!
3. Install lock body into the door and secure with two supplied Phillips wood screws.
4. Place the exterior trim components into position and mark location of all mounting holes.
5. Drill pilot holes.



6. Install the exterior trim plate and handle assembly using supplied wood screws.
7. Install the self-adjusting bezel collar and bezel washer onto the lock cylinder.
8. Back out slotted cylinder lock screw as much as possible.
9. Install the lock cylinder by turning it clockwise into the threaded bore in the mortise lock. Turn until tight, then back off one full rotation. Turn further counter-clockwise so that **R** is straight up.
10. Secure the cylinder by tightening the cylinder lock screw.

REJUVENATION®

2550 N.W. Nicolai Street, Portland Oregon 97210 • Customer Service: (888) 401-1900 • rejuvenation.com

Z1135

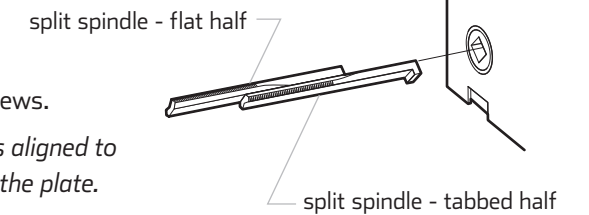
Exterior Door Set - Right Handed

installation instructions

11. From the interior side of the door, install the split spindle into the bore in the mortise lock. First install the tabbed half of the split spindle, then the flat half.

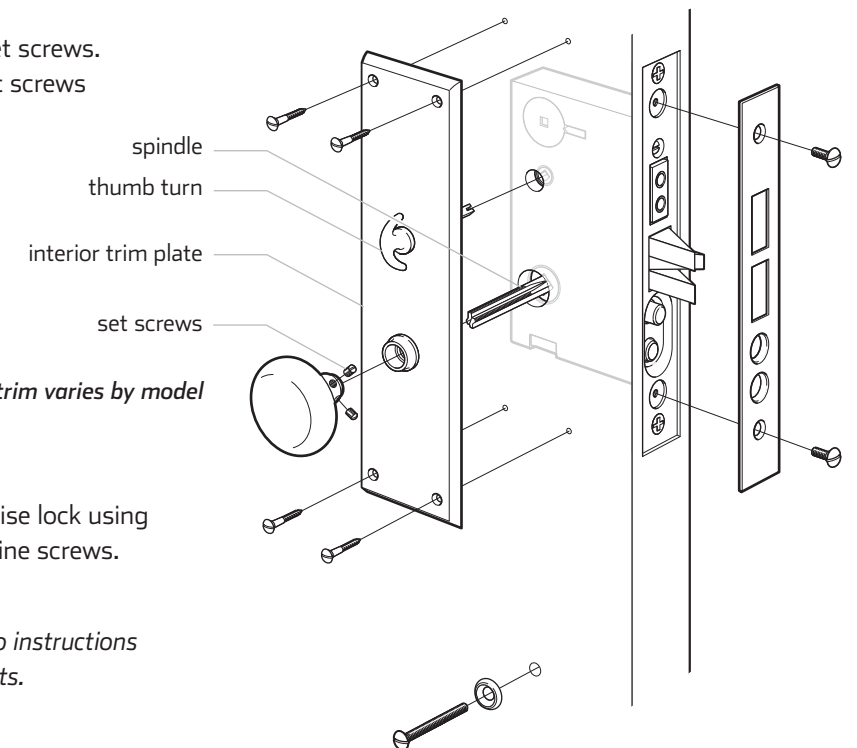
Note: The spindle will protrude through the far side of the mortise lock so there must be a mortised area to accommodate it, as shown on template.

12. Place the interior trim plate into position and mark position of mounting holes.
13. Drill pilot holes.



14. Install the interior trim plate using supplied wood screws.
Note: If needed, rotate thumb turn so that shaft is aligned to diamond hub in the lock body as you install the plate.
15. Install the interior doorknob by turning it clockwise onto the spindle.
Note: The doorknob should fit closely to the collar on the doorplate but with a small amount of play so that the doorknob does not bind when turned.

16. Secure knob by tightening the set screws. Align knob on spindle so that set screws seat in grooves in spindle.



17. Install the trim plate on the mortise lock using the two supplied flat head machine screws.

To complete installation, proceed to instructions for installing jamb-side components.

REJUVENATION®

2550 N.W. Nicolai Street, Portland Oregon 97210 • Customer Service: (888) 401-1900 • rejuvenation.com

Z1135

Exterior Door Set - Left Handed

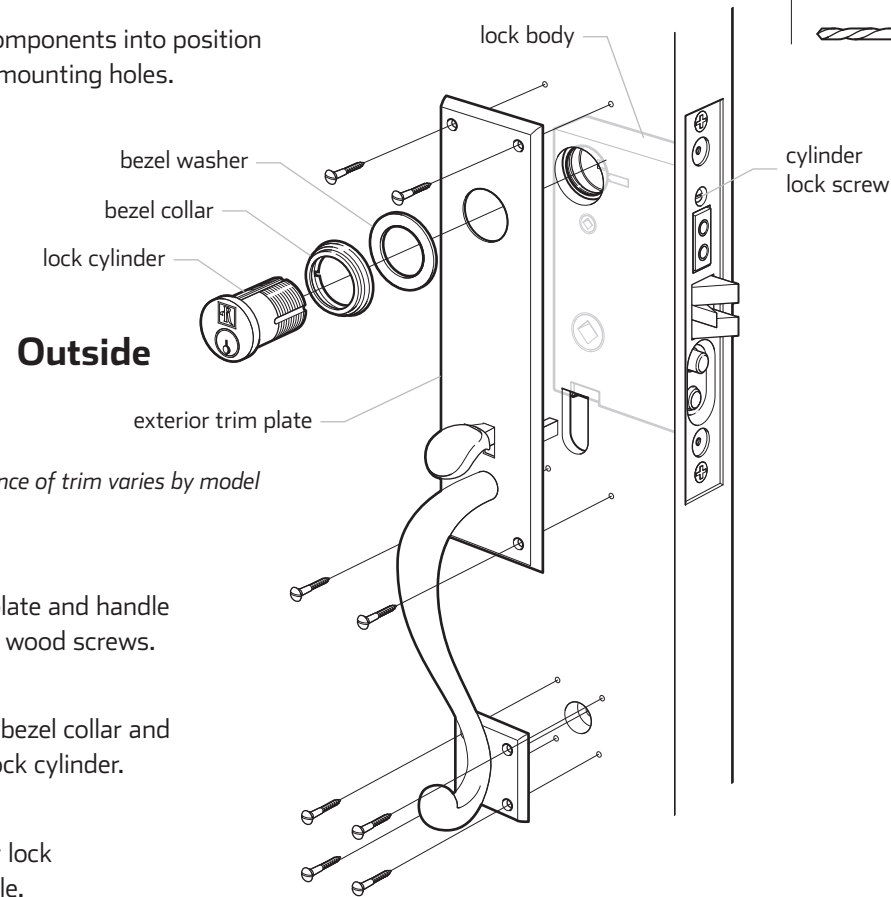
skill level • advanced carpenter

installation instructions

1. Referring to the template, cut mortise into door edge for the lock body.
Note: A small pocket at front left is required.
2. As specified on template, mark and drill holes.
Note: Some holes go entirely through the door and some do not!
3. Install lock body into the door and secure with two supplied Phillips wood screws.

4. Place the exterior trim components into position and mark position of all mounting holes.

5. Drill pilot holes.



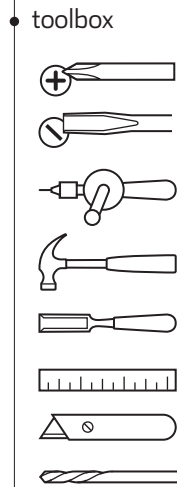
6. Install the exterior trim plate and handle assembly using supplied wood screws.

7. Install the self-adjusting bezel collar and bezel washer onto the lock cylinder.

8. Back out slotted cylinder lock screw as much as possible.

9. Install the lock cylinder by turning it clockwise into the threaded bore in the mortise lock.
Turn until tight, then back off one full rotation. Turn further counter-clockwise so that **R** is straight up.

10. Secure the cylinder by tightening the cylinder lock screw.



REJUVENATION®

2550 N.W. Nicolai Street, Portland Oregon 97210 • Customer Service: (888) 401-1900 • rejuvenation.com

Z1140

Exterior Door Set - Left Handed

installation instructions

11. From the interior side of the door, install the split spindle into the bore in the mortise lock.
First install the tabbed half of the split spindle, then the flat half.

Note: The spindle will protrude through the far side of the mortise lock so there must be a mortised area to accommodate it, as shown on template.

12. Place the interior trim plate into position and mark position of mounting holes.

13. Drill pilot holes.

14. Install the interior trim plate using supplied wood screws.

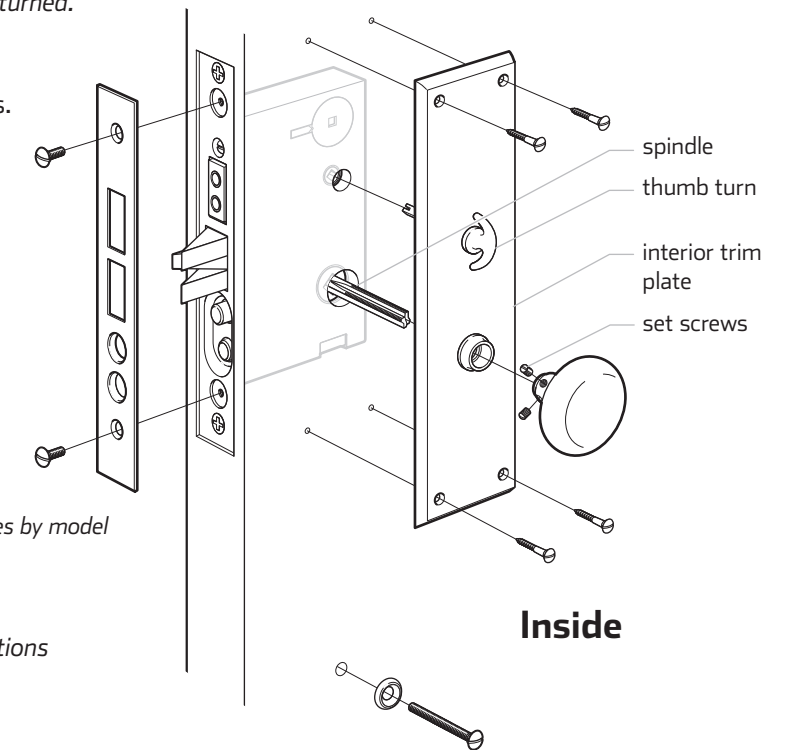
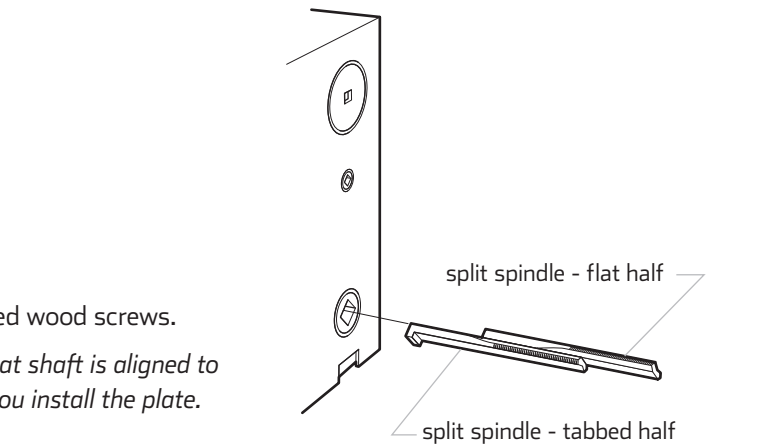
Note: If needed, rotate thumb turn so that shaft is aligned to diamond hub in the lock body as you install the plate.

15. Install the interior doorknob by turning it clockwise onto the spindle.

Note: The doorknob should fit closely to the collar on the doorplate but with a small amount of play so that the doorknob does not bind when turned.

16. Secure knob by tightening the set screws.
Align knob on spindle so that set screws seat in grooves in spindle.

17. Install the trim plate on the mortise lock using the two supplied flat head machine screws.



To complete installation, proceed to instructions for installing jamb-side components.

REJUVENATION®

2550 N.W. Nicolai Street, Portland Oregon 97210 • Customer Service: (888) 401-1900 • rejuvenation.com

Z1140

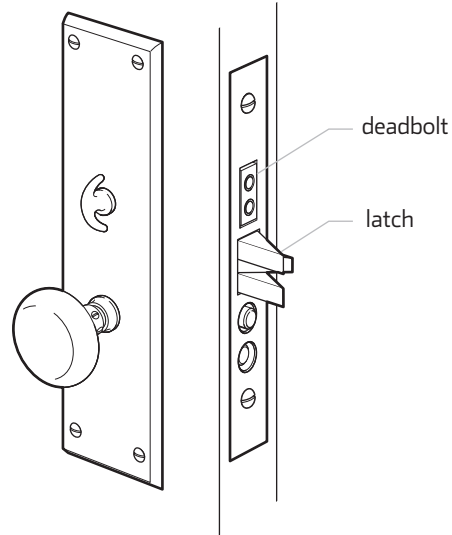
Exterior Door Set - Jamb Side Parts

skill level • advanced carpenter

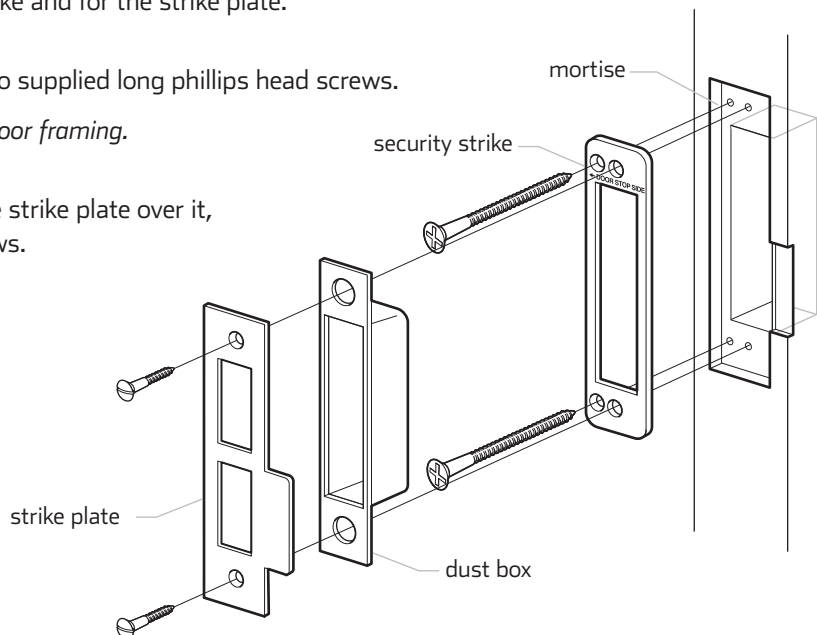
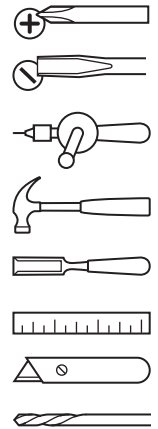
installation instructions

Proceed with installing jamb side parts after door set is installed in door.

1. To transfer the proper position to the door jamb, mark the mortise lock by rubbing graphite, crayon or lipstick onto the latch and deadbolt of the mortise lock.
2. Close the door and turn the thumb-turn to actuate the deadbolt a few times.
3. Based on the resulting markings, position the strike plate so that the dead bolt will be centered in the strike opening - in both vertical and horizontal directions.
4. Trace the outline of the strike plate onto the jamb. Include tongue, rectangular cut-outs and mounting holes.
5. Mortise a deep pocket for the dust box, and a shallow pocket for the strike face and security strike.
6. Use the security strike as a template to mark the two off-center mounting holes. Arrow should point to the doorstop.
7. Drill pilot holes for the security strike and for the strike plate.
8. Mount the security strike using two supplied long phillips head screws.
The screws should extend into the door framing.
9. Fit the dust box into place with the strike plate over it, and secure with two supplied screws.



toolbox



REJUVENATION®

2550 N.W. Nicolai Street, Portland Oregon 97210 • Customer Service: (888) 401-1900 • rejuvenation.com