



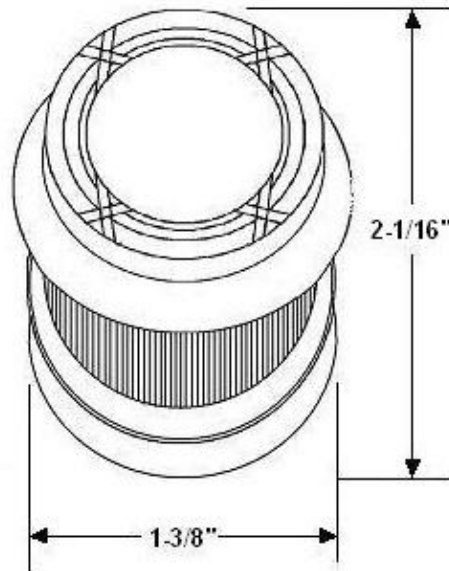
"The Special Finishes Specialist" ©

by St. Simons, Inc.

idhbrass.com

Quality Solid Brass Decorative Hardware & Bath Accessories

Installation Instructions  
Premium Grade Solid Brass  
**Ribbon & Reed Bullet Door Stop**  
Item# 13092



**Dimensions:**

- Overall Height: 2-1/16"
- Diameter: 1-3/8"
- Maximum Clearance: 1-5/16"
- Weight: 9-1/2 oz.

*Dimensions are for reference use only.*

*For exact dimensions, please measure actual part.*

**Installation Instructions:**

1. Locate the stop in desired position on floor so door knob doesn't come in contact with wall.
2. Remove the top of the bumper by twisting
3. Mark and drill pilot hole
4. Reposition the stop to the desired location and screw stop securely to floor with screwdriver.
5. Place the rubber bumper ring onto the stop and place the top of the stop.



**Catalog Section: D**

**Ribbon & Reed Bullet Door Stop**

Item# 13092

Date: Rev 01/18